



INSTALLATION INSTRUCTIONS

WARN ELECTRIC WINCH M15000



NOTICE TO INSTALLER:
THE WINCH USER MUST RECEIVE THIS PAMPHLET FOR
DETAILED SERVICE INFORMATION



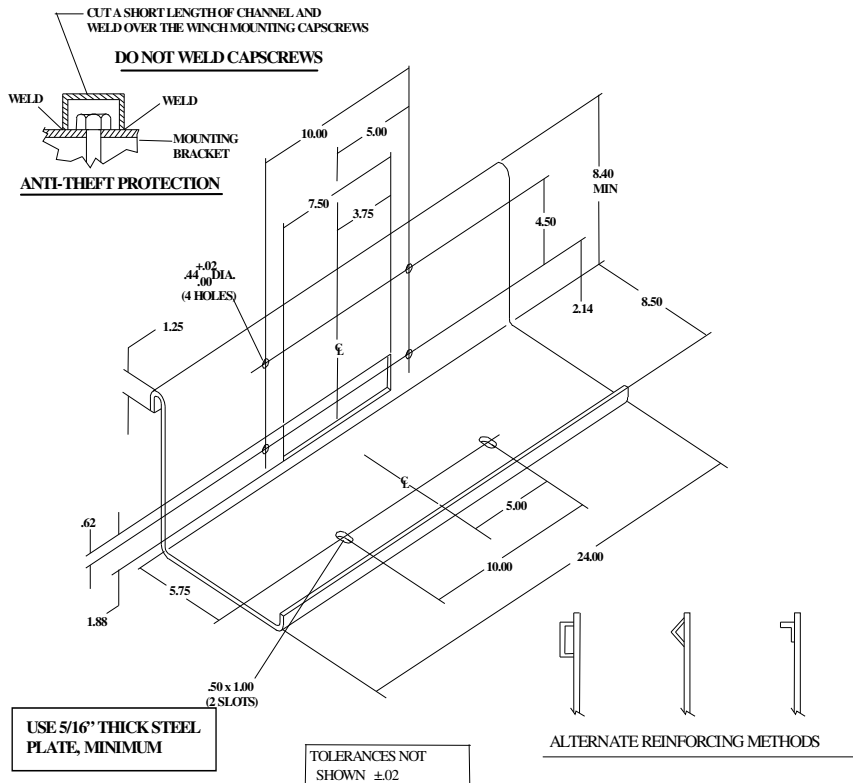
**DO NOT INSTALL THIS WINCH BEFORE YOU HAVE READ AND
UNDERSTAND THE OPERATOR'S MANUAL. IT CONTAINS
IMPORTANT SAFETY INFORMATION**

WARN INDUSTRIES

12900 SE Capps Road
Clackamas, Or. 97015-8903 USA
1.800.543.9276

FABRICATION INSTRUCTIONS

If you choose to fabricate your own mounting plate, follow the dimensions and tolerances closely. Damage resulting from Improper mounting is specifically excluded from warranty. Use grade 5 or better fasteners.



INSTALLATION INSTRUCTIONS

The mounting hole pattern is of critical importance to the strength of your winch. For winches that are not mounted on a factory mounting plate, it is recommended that you use a winch mounting bracket as that shown on the last page, applying the illustrated hole pattern, hole diameters and tolerances.

WINCH MOUNTING

CAUTION

BE SURE YOUR WINCH IS MOUNTED ON A MOUNTING SYSTEM RATED FOR SAFE OPERATION AT 15000 LBS. NOT ALL WARN MOUNTING KITS MAY BE SUITABLE FOR YOUR WINCH. CONTACT WARN CUSTOMER SERVICE FOR FACTORY MOUNTING KIT RECOMMENDATIONS.

CAUTION

TO AVOID DAMAGE TO THE DRUM SUPPORT BRACKETS DO NOT USE FASTENERS LONGER THAN THOSE RECOMMENDED. DO NOT FASTEN FAIRLEAD TO DRUM SUPPORTS.

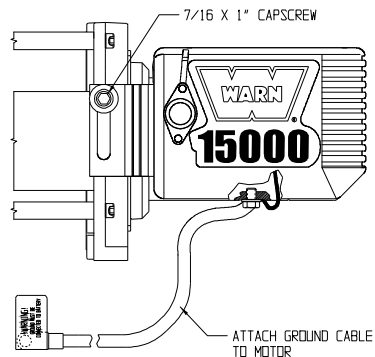
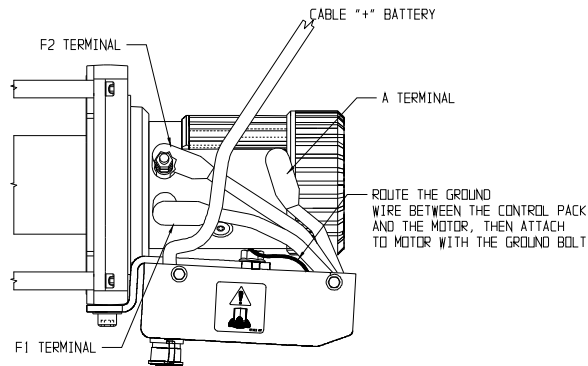
- The winch is to be mounted with feet forward on a vertical mounting plate. In this situation the 8" x 1-1/4" fairlead slot must be centered between the lower holes in the vertical mounting plate. To install: First align the upper holes in the drum supports with the upper holes in the mounting plate and secure loosely with two 7/16-14 x 1-1/2 grade 5 hex head capscrews and lockwashers. The lockwashers must be under the head of all capscrews. Next Insert two 7/16-14 x 1-1/2 grade 5 hex head capscrews with lockwashers through the fairlead and lower holes in the vertical mounting plate and secure loosely in the corresponding holes of the drum supports. Tighten the above capscrews to 30 lb. ft. (4.14 Kg-m) torque. **NOTE: DO NOT FASTEN FAIRLEAD DIRECTLY TO THE DRUM SUPPORTS.**
- NOTE: Be sure that the drum rotates freely with the clutch disengaged. If the drum binds or does not rotate freely, the mounting plate is not flat. Place shim washers between the winch and mounting plate until the drum rotates freely.
- Place flat washer shims as necessary between the bottom (horizontal) flange of the mounting plate and the drum support. Insert two 7/16-14 x 1-3/4 hex head capscrews with lockwashers and flat washers through the mounting plate and into the threaded holes in the drum supports. Tighten to 30 lb. ft. torque.

! CAUTION

DO NOT WELD THE HEAD OF ANY BOLT OR CAPSCREW used for attaching the winch mounting kit or bumper kit. Metallurgical changes, after welding, can occur and cause the fasteners to become brittle and break, even under no-load conditions. This could result in personal injury or property damage.

SOLENOID PACK INSTALLATION

1. The solenoid pack should be mounted to the winch drum support (as shown below) using the bolt provided in hardware pack. **NOTE! THE SOLENOID PACK MUST BE GROUNDED TO CHASSIS GROUND IN ORDER TO OPERATE.**
2. The small black vinyl boots provided should be slipped over loose ends of control pack cables (labelled as F1, F2, and A) prior to installation of the control pack. Once nuts on motor terminals have been installed and tightened, slide boot over the nut and terminal to cover the terminal.



ELECTRICAL CONNECTIONS

After mounting winch on bumper or custom mounting.

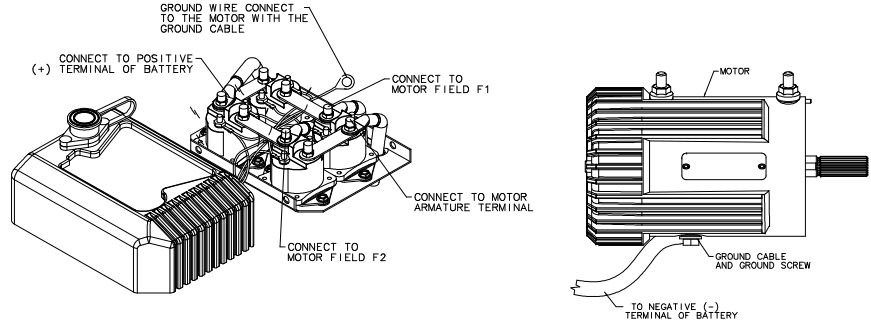
NOTE: BEFORE CONNECTING THE 72" CABLE, BE SURE TO CLEAN BATTERY TERMINALS.

1. Connect the 72 inch red cable to the positive terminal of the battery.
2. Connect the 72 inch black cable to the ground screw on the motor and the negative terminal of the battery.
3. Before initial use of your winch, plug in the remote control and test for proper forward and reverse operation, keeping hands free of wire rope.



KEEP HANDS AWAY FROM WIRE ROPE AND HOOK WHILE TESTING.

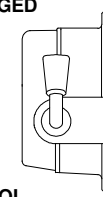
NOTE: A fully charged "Heavy Duty" battery in the 90 amp/hour rating range (650 or larger cold cranking amps) is required to obtain full performance from your winch.



CLUTCH OPERATION

THE CLUTCH IS LOCATED ON THE GEAR HOUSING. Engage clutch to power in load by rotating the clutch lever counter clockwise

CLUTCH ENGAGED



FREE SPOOL

TO FREE SPOOL, rotate the clutch lever a full 180°

CAUTION

THE CLUTCH LEVER MUST BE IN FULL ENGAGED POSITION, OR DAMAGE TO WINCH MAY OCCUR. It may be necessary to jog the motor or drum in order to align the gear for engagement.



WARNING

DO NOT ROTATE THE CLUTCH OUT OF THE "ENGAGED" POSITION WHILE UNDER LOAD. THE BRAKE WILL NOT FUNCTION WITH THE SPOOL IN "FREE SPOOL"