



INSTALLATION INSTRUCTIONS

WINCH MOUNTING KIT NO 13910

FOR JEEP UNIVERSAL

PART NO.	QTY.	DESCRIPTION
13588	1	BRKT. WINCH MOUNT
13557	1	BRKT. SOLENOID
11110	1	FRM EXT. RH
11111	1	FRM EXT. LH
9472	2	SPACER, TUBE

TORQUE SPECIFICATIONS:

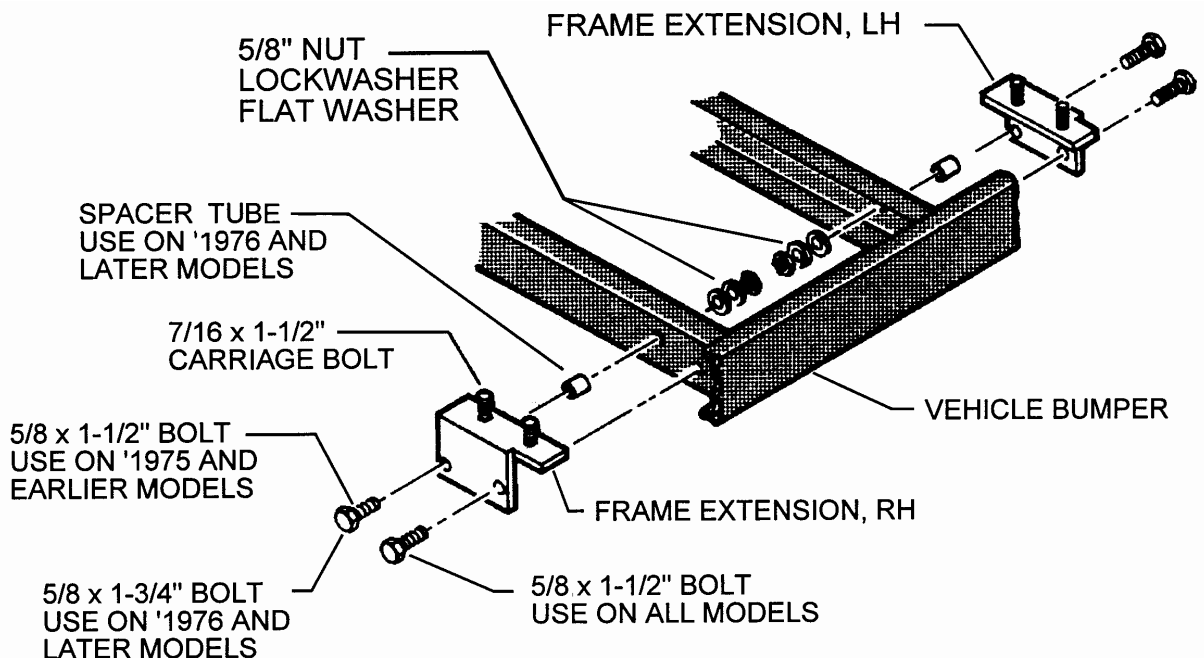
BOLT SIZE	TORQUE
1/4 inch	8 lb. ft. (10.8 N-m)
7/16 inch	50 lb. ft. (67.8 N-m)
5/8 inch	150 lb. ft. (203.4 N-m)

1. Insert two 7/16 x 1-1/2" carriage bolts through each frame extension with threads pointing up. **Figure 1**

On 1975 and earlier models, align holes in side of frame extension with holes in side of frame and secure with two 5/8 x 1-1/2" bolts, lock washers, flat washers, and nuts. **Figure 1**

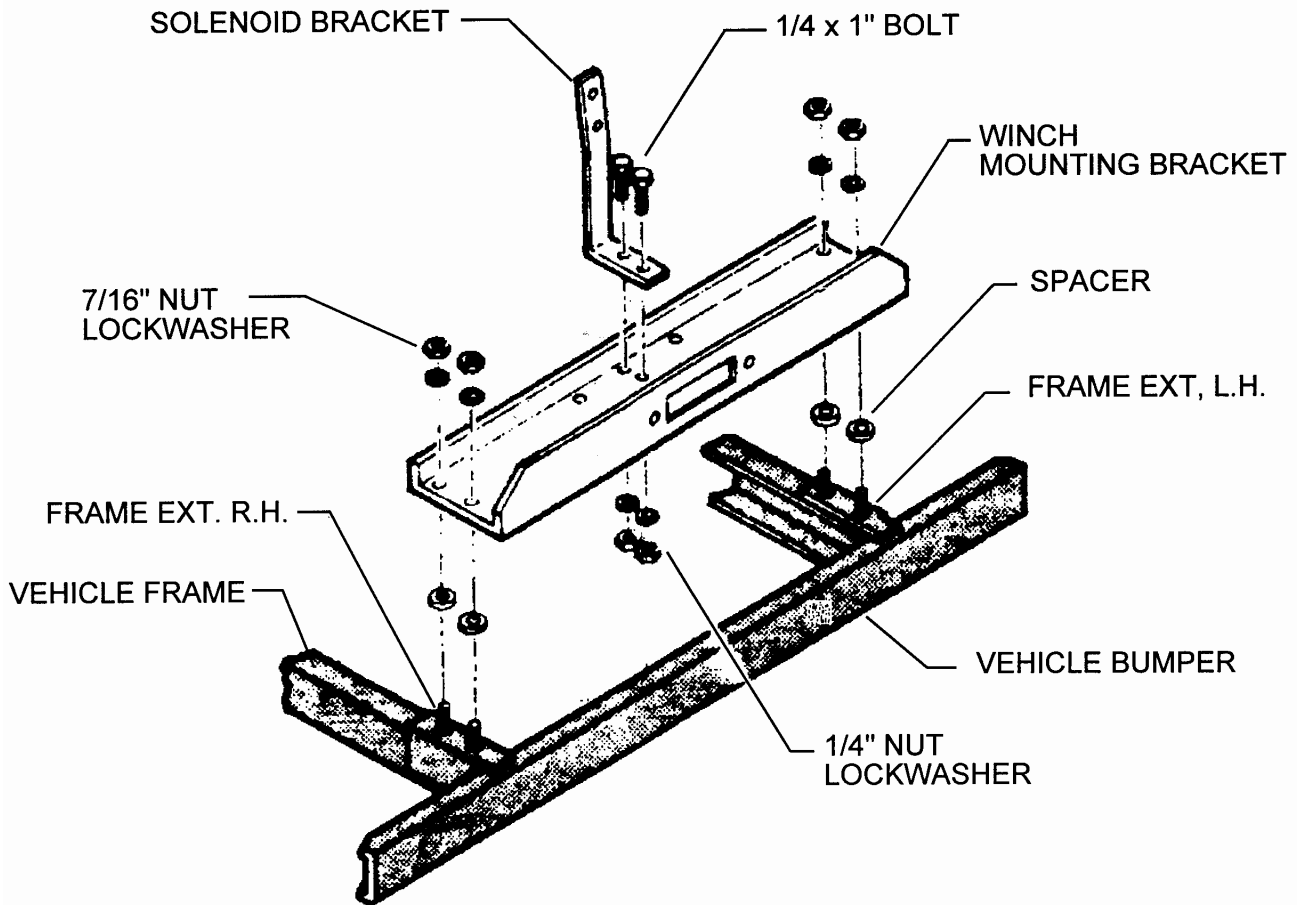
On 1976 and later models, a 5/8 x 3-1/4" bolt must be placed through rear hole of the frame extension and a spacer-tube placed on the bolt before inserting through frame. Place a 5/8 x 1-1/2" bolt through front hole of frame extension and frame and secure with lock-washer, flat-washer, and nut. **Figure 1**

FIGURE 1



2. Attach the solenoid bracket to the winch mounting bracket (when applicable) with two 1/4 x 1 bolts, lock-washers and nuts as shown in **Figure 2**.

FIGURE 2



3. Install spacer (flat washer) and winch mounting bracket onto the carriage bolts protruding upwards from the frame extensions and secure with 7/16 lock-washers and nuts. **Figure 2**. Tighten all fasteners to proper torque specifications at this time.
4. Install winch as directed in the Winch Installation Instructions.