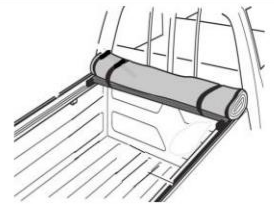




# Soft Roll-up Tonneau Cover



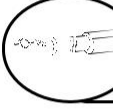
THESE INSTRUCTIONS ARE COMPLETE FOR MOST PICKUP MODELS.  
ADDITIONAL INSTRUCTIONS ARE INCLUDED, IF REQUIRED FOR YOUR PICKUP.



REMOVE CONTENTS FROM BOX. VERIFY ALL PARTS ARE PRESENT.



READ INSTRUCTIONS CAREFULLY BEFORE STARTING INSTALLATION.



DO NOT OVER TORQUE. A TORQUE WRENCH IS NOT NECESSARY.  
IF PREFERRED, TORQUE IS APX 75 INCH LBS.



15-30 min



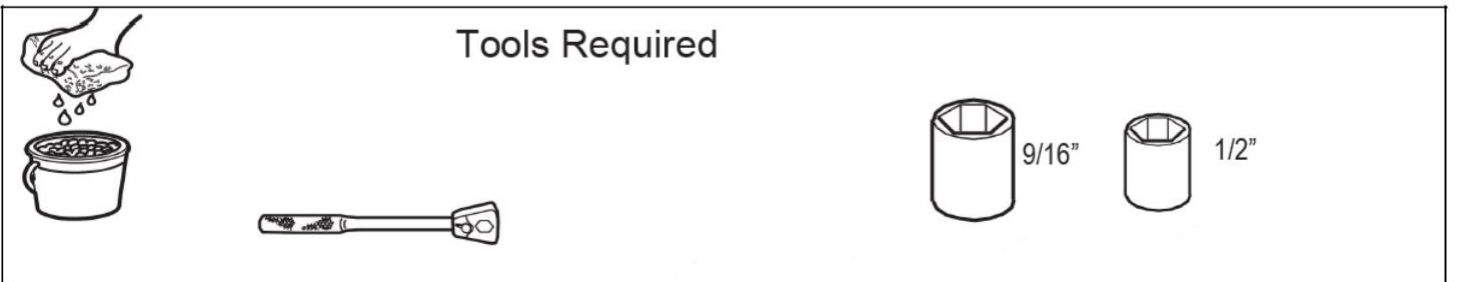
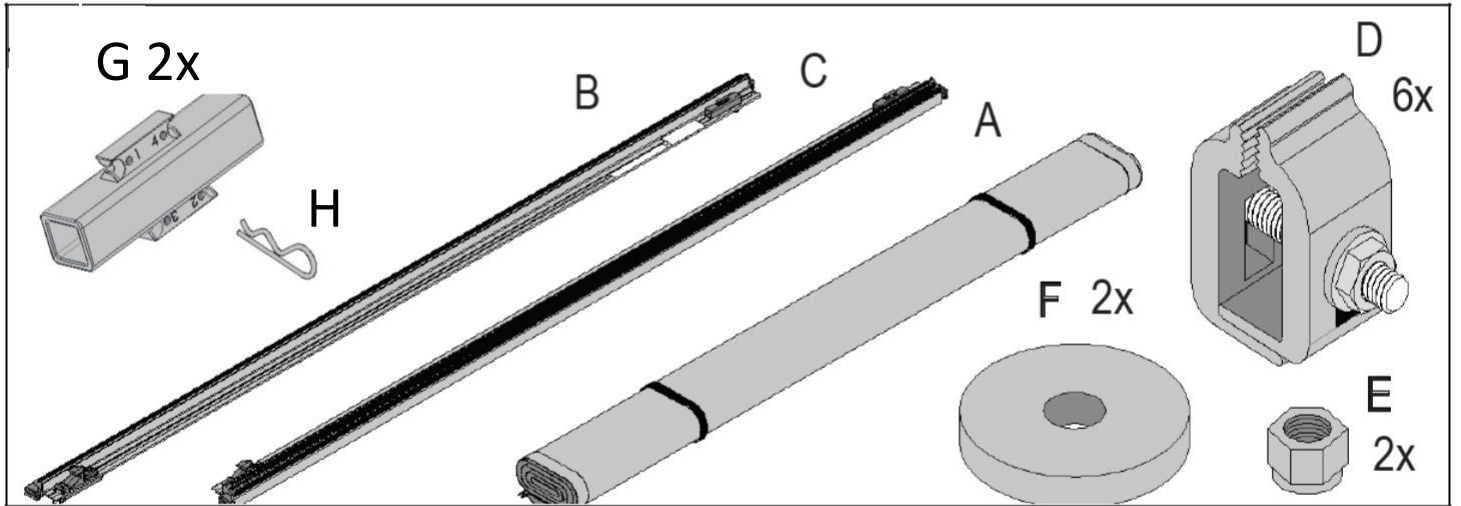
Cutting Not Required



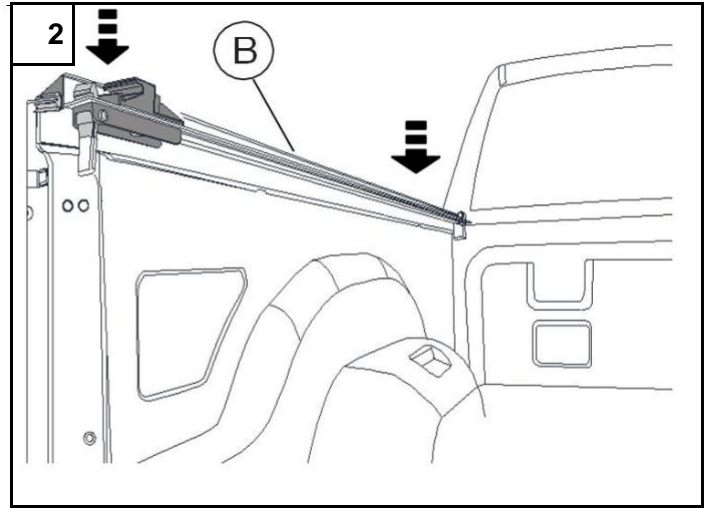
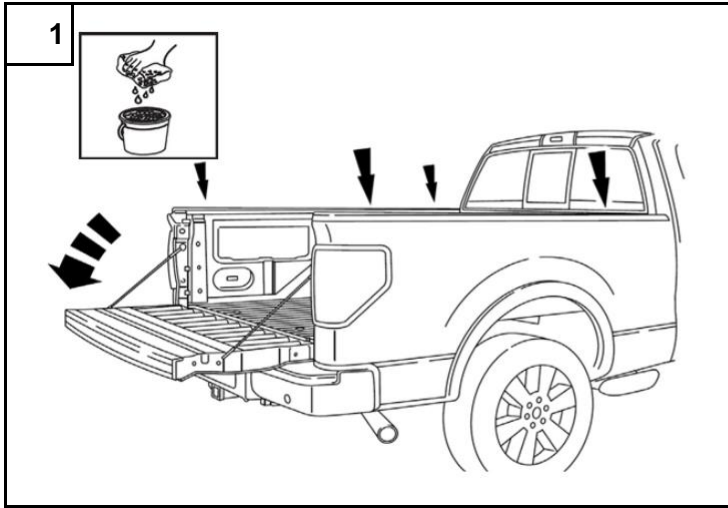
Drilling Not Required

## PARTS LIST OF COMPONENTS

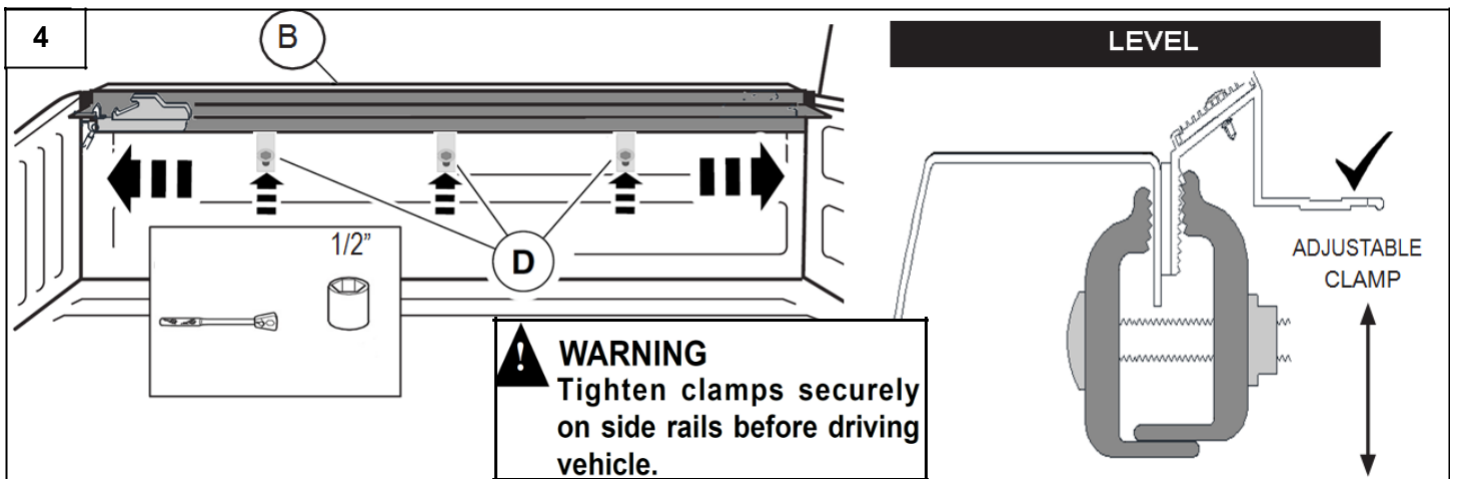
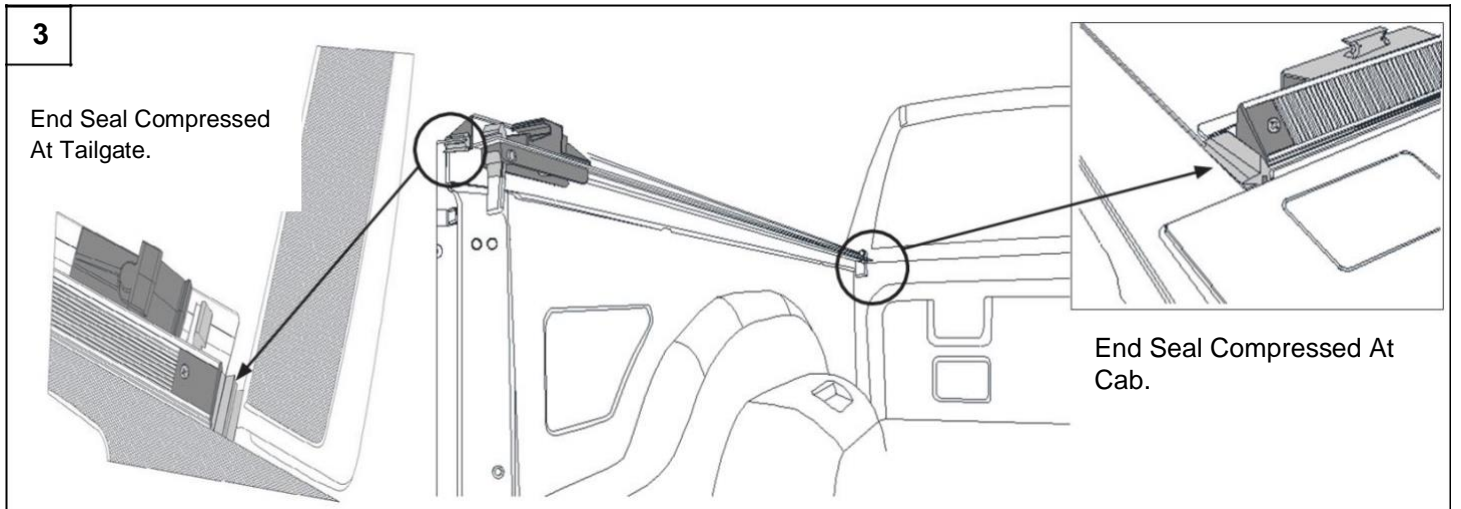
| Sl. No. | Part Description           | Qty | Sl. No. | Part Description         | Qty |
|---------|----------------------------|-----|---------|--------------------------|-----|
| A       | Tonneau Cover              | 1   | E       | Hex Nut Full Nylon Lock  | 2   |
| B       | Side Rail - Driver Side    | 1   | F       | Plastic Washer           | 2   |
| C       | Side Rail - Passenger Side | 1   | G       | Tension Adjustment Block | 2   |
| D       | Clamp Assembly             | 6   | H       | Hitch Pin                | 1   |



# INSTALLATION PROCEDURE



3. With Tailgate Closed, Position Side Rail Compressing End Seals Equally Between Cab and Tailgate.

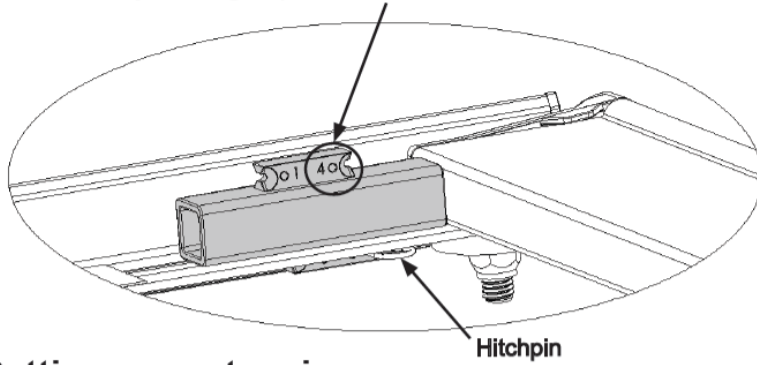


5. Repeat steps 2-4 on passenger side for item C. Proceed to step 5 when complete.

5

## COVER TENSION ADJUSTMENT

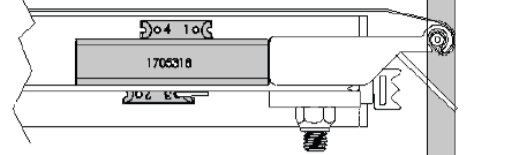
Cover tension is controlled by a four position adjustable block. To adjust tension pull hitchpin and rotate block to desired position. Factory setting is position 4, this is the least amount of tension.



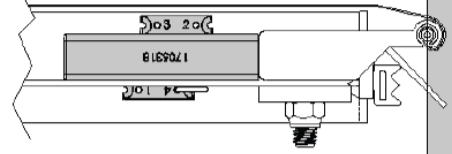
## Setting cover tension

1. Set cover tension during warmest part of the day.
2. Roll cover up to adjustable block.
3. Pull Hitchpin and rotate blocks to the next position needed. Replace Hitchpin. **(Driver and passenger blocks must always be in the same position.)**
4. Close cover and re-check adjustment. Repeat until satisfactory tension has been achieved.

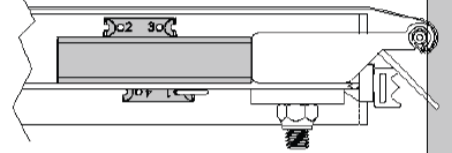
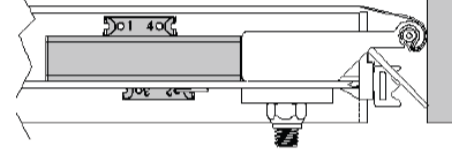
Adjustment Zone

Position 1  
Maximum

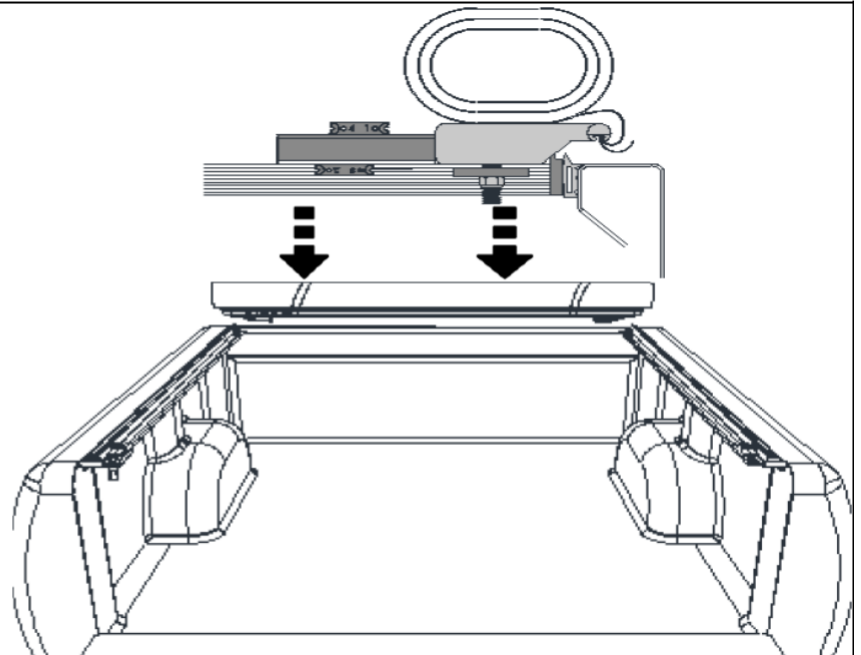
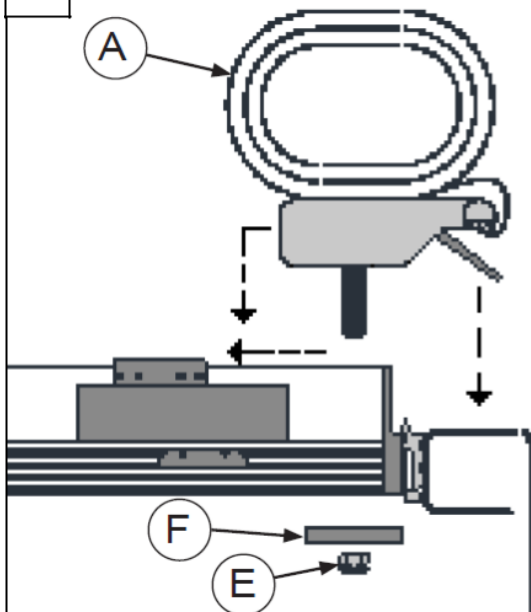
Position 2



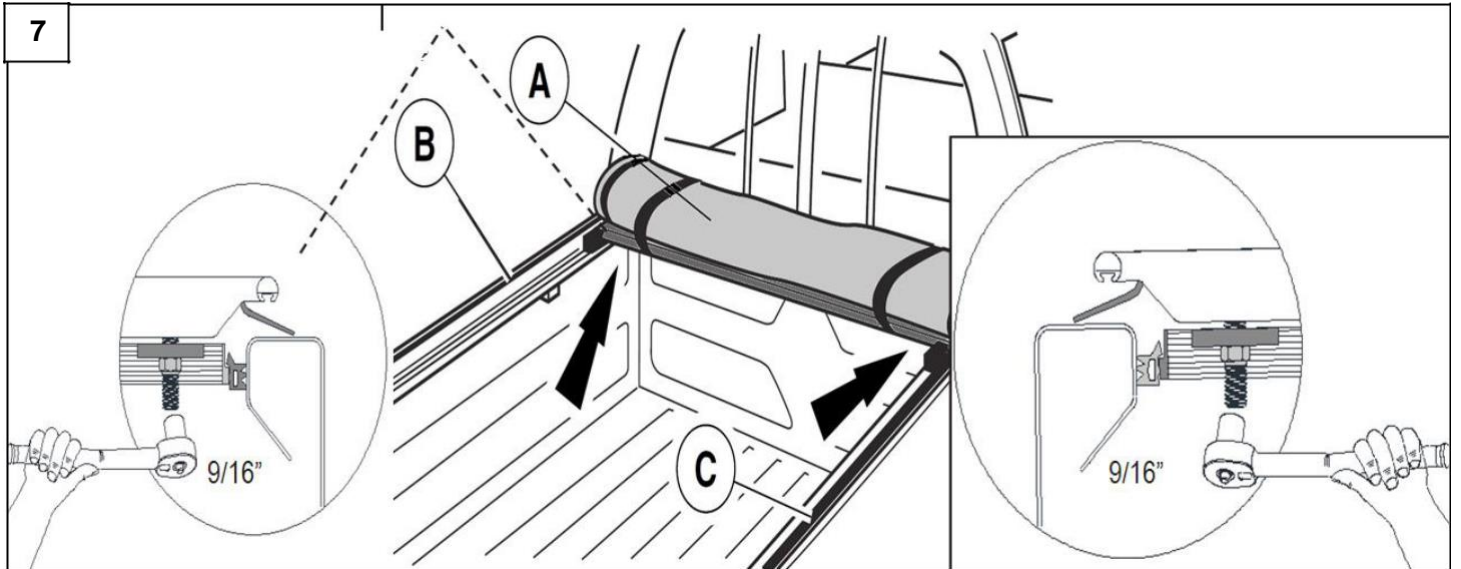
Position 3

Position 4  
Minimum  
Factory Setting

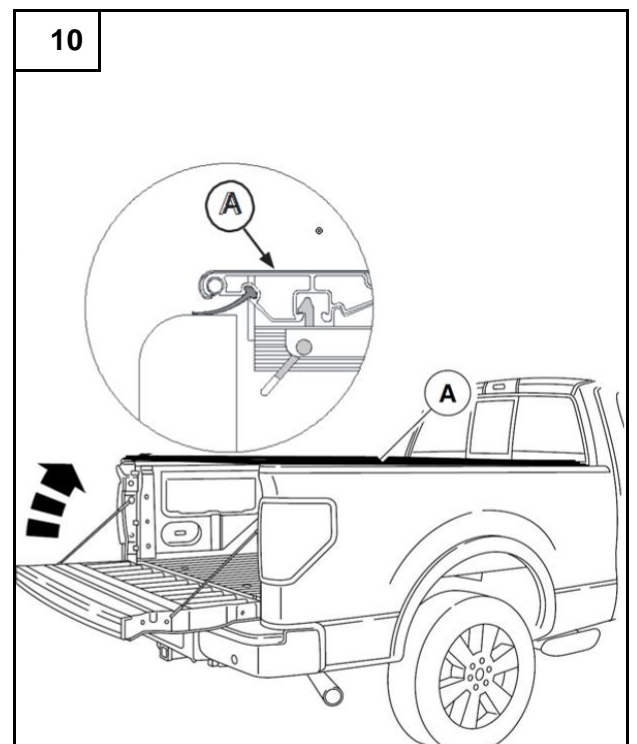
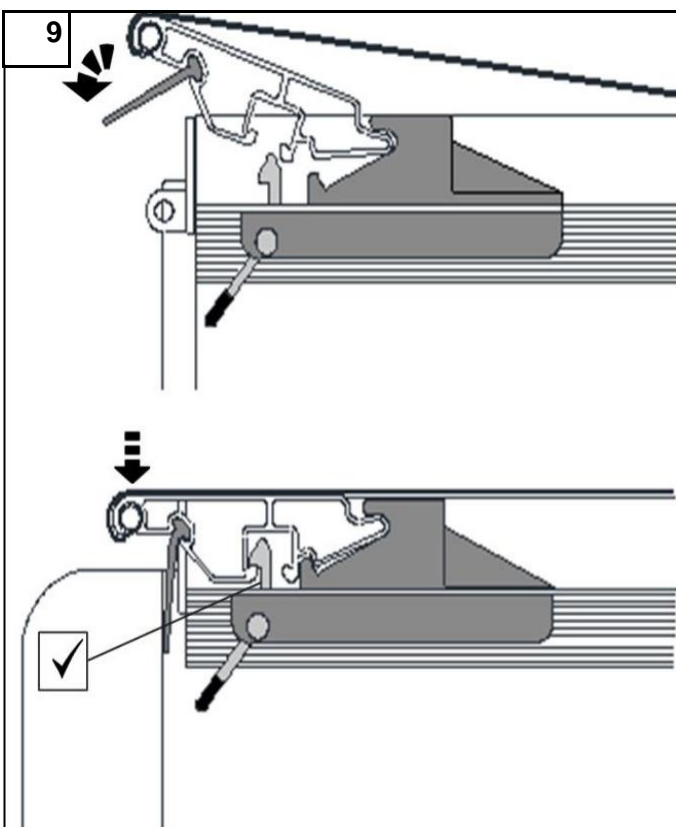
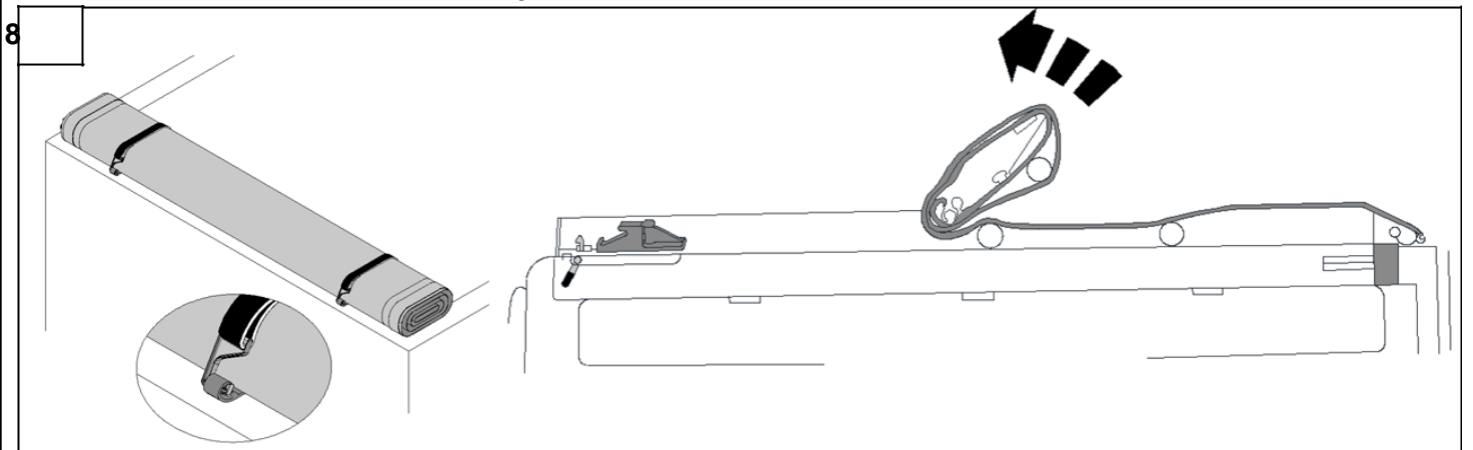
6



7. Thread nut onto bolt enough to be tight but still able to move freely.

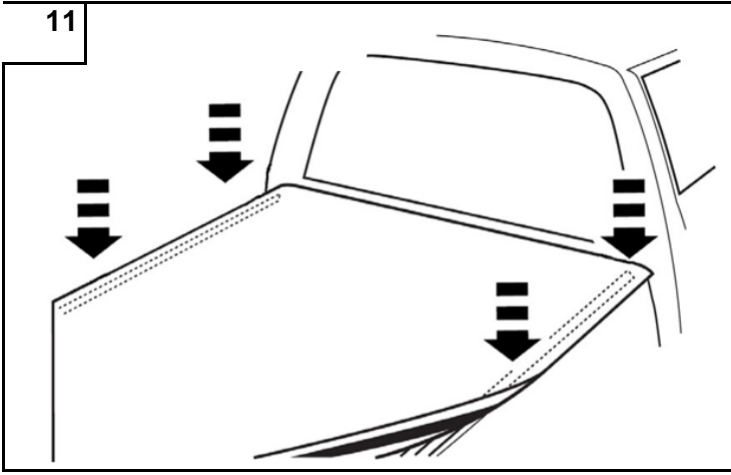


8. Unhook and unroll cover to the tailgate.

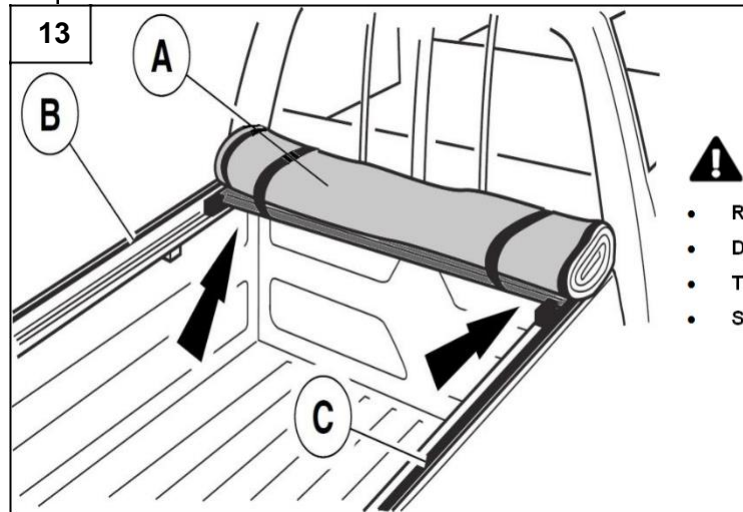
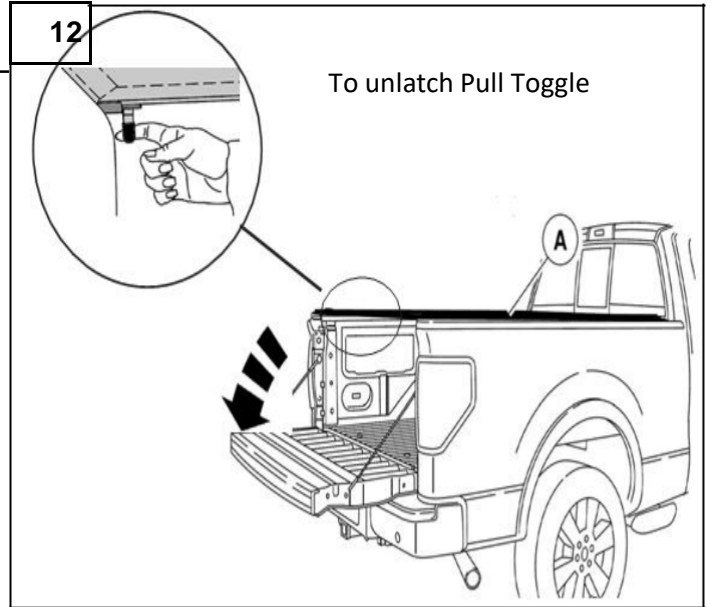


**NOTE: If tailgate has a key lock, tonneau cover is secured until tailgate is unlocked and opened.**





**NOTE:** Secure hook fastener and loop fastener along entire length of both side rails before driving vehicle. This will prevent wind lifting the cover and causing damage.

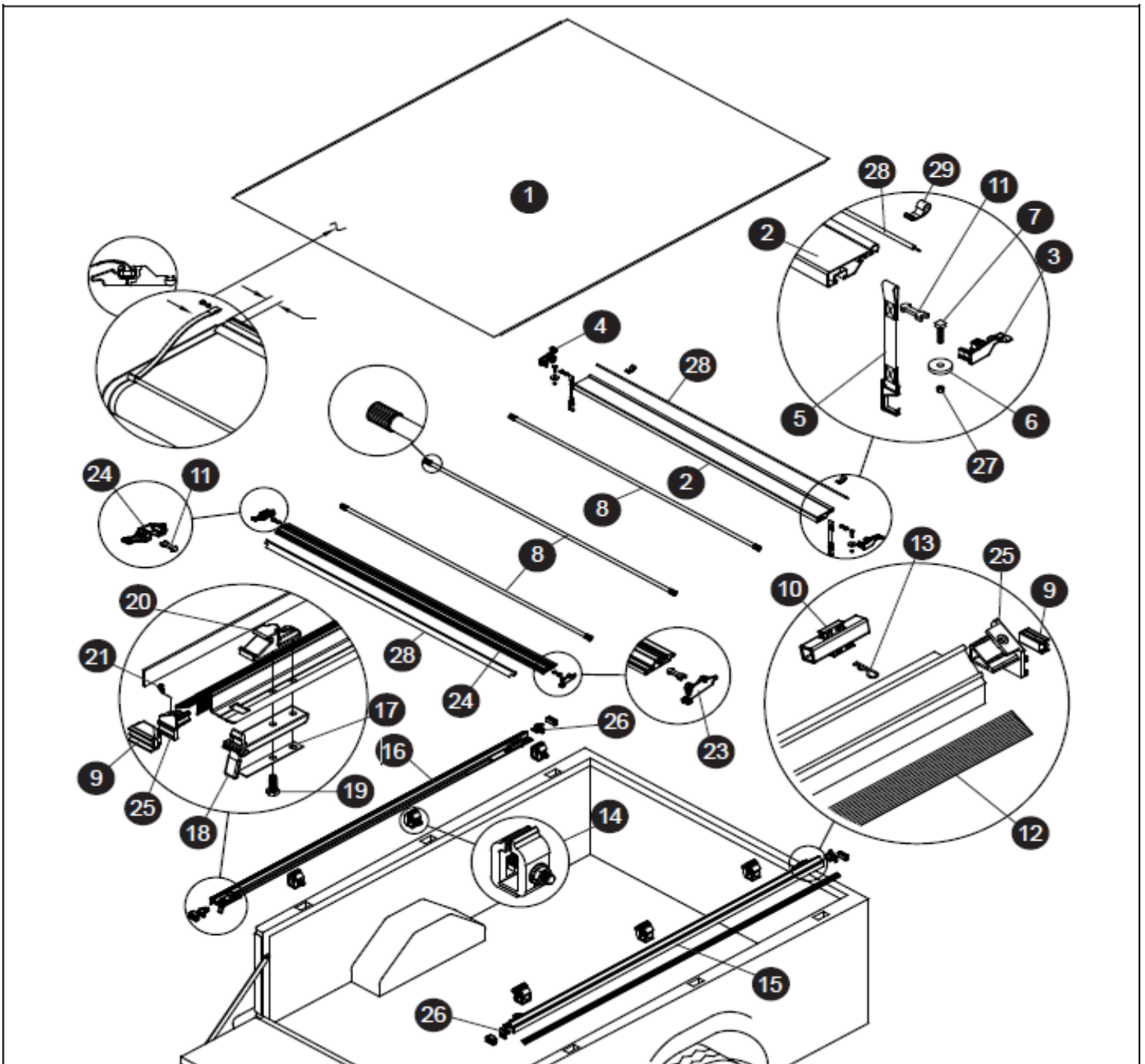


**! WARNING**  
Tighten clamps securely on side rails before from blowing off.

### REPLACEMENT PARTS

| SI. No. | PARTS   | PART DESCRIPTION            | SI. No. | PARTS   | PART DESCRIPTION               |
|---------|---------|-----------------------------|---------|---------|--------------------------------|
| 1       | *       | Replacement Cover           | 16      | *       | Side Rail, Driver's Side       |
| 2       |         | Front Header                | 17      | 1114773 | Flat Spring                    |
| 3       | 1705310 | Front Header End Plugs RH   | 18      | 1114773 | Latch Assembled                |
| 4       | 1705311 | Front Header End Plugs LH   | 19      | 1703455 | Cap Screw                      |
| 5       | *       | Safety Strap                | 20      | 1705336 | Header Stop                    |
| 6       | 1115745 | Plastic Washer              | 21      | 1703690 | Self-Drill Screw               |
| 7       | 1703455 | Square Head Cap Screw       | 22      | 1705405 | Rear Header End Plug RH        |
| 8       | *       | Bow Assembly                | 23      | 1705404 | Rear Header End Plug LH        |
| 9       | 1705284 | Rail End Seal               | 24      | *       | Rear Header                    |
| 10      | 1705318 | Tension Adjustment Block    | 25      | 1117958 | Side Rail End Plug Assembly LH |
| 11      | 1705364 | Header Insert Safety Clip   | 26      | 1117959 | Side Rail End Plug Assembly RH |
| 12      | *       | Hook Strip                  | 27      | 1701580 | Hex Nut Full Nylon Lock        |
| 13      | 1703332 | Hitch Pin                   | 28      | *       | Extruded Header Seal           |
| 14      | 1705234 | Clamp Assembly (6)          | 29      | 1705192 | Retainer Loop                  |
| 15      | *       | Side Rail, Passenger's Side |         |         |                                |

\* Please specify length or make and model of vehicle.



## **OWNER / USER RESPONSIBILITIES**

- It is the responsibility of the owner/user to read this manual and comply with the operating procedures.
- The owner/user is also responsible for inspecting the cover, and for having parts repaired or replaced when worn or damaged.
- Failure to follow safety instructions and warning labels could result in failure of your cover system and/or personal injury.
- Always wear safety glasses and/or other necessary protective equipment when installing your tonneau cover system.

## **SAFETY INSTRUCTIONS**

1. Do not place objects on or against cover or framework.
2. Do not tie cargo to framework.
3. Never allow children or pets to occupy pickup box while cover is closed.
4. Cover is not airtight. Special care is required to keep cargo clean and dry.
5. Fabric cover won't prevent theft of contents inside truck box.
6. Cover must be rolled fully open and secured with safety straps when towing vehicle backwards.
7. Opened cover must be secured with both safety straps when driving vehicle.

## **COVER MAINTENANCE**

### **Never use silicon, petroleum, or citrus based products on your tonneau cover.**

- Vinyl cover can be hand washed with mild soap and water or cleaned in a car wash.
- Thoroughly rinse cover to remove any soap residue.
- Cover can be treated with any vinyl protectant made for tonneau covers.

## **FAQ'S**

### **1. How difficult will it be to install tonneau cover?**

*Installing of tonneau cover is easy, Please follow the steps mentioned in installation manual carefully*

### **2. Is Tonneau cover is washable?**

*Yes, it is washable same as your truck.*

### **3. How to clean tonneau cover tarp?**

*To clean tonneau cover tarp, Please use mild car washing soap.*

### **4. Will the tonneau cover scratch my paint?**

*No, Please follow the Instruction manual carefully, to avoid scratch on paint.*

### **5. Tonneau cover will obstruct tailgate opening and closing?**

*All of the soft tonneau covers allow full, unobstructed use of tailgate without having to open the cover.*

### **6. Tonneau cover will work in winter?**

*Yes, it will work, as tonneau cover fabric will not shrink in cold temperatures.*

### **7. Missing / Excess Hardware.**

*Recheck hardware count as per the part list.*

### **8. Product not installing properly.**

*Ensure make model year, cab length and bed size of your vehicle is listed in the application. All installation steps are followed correctly.*