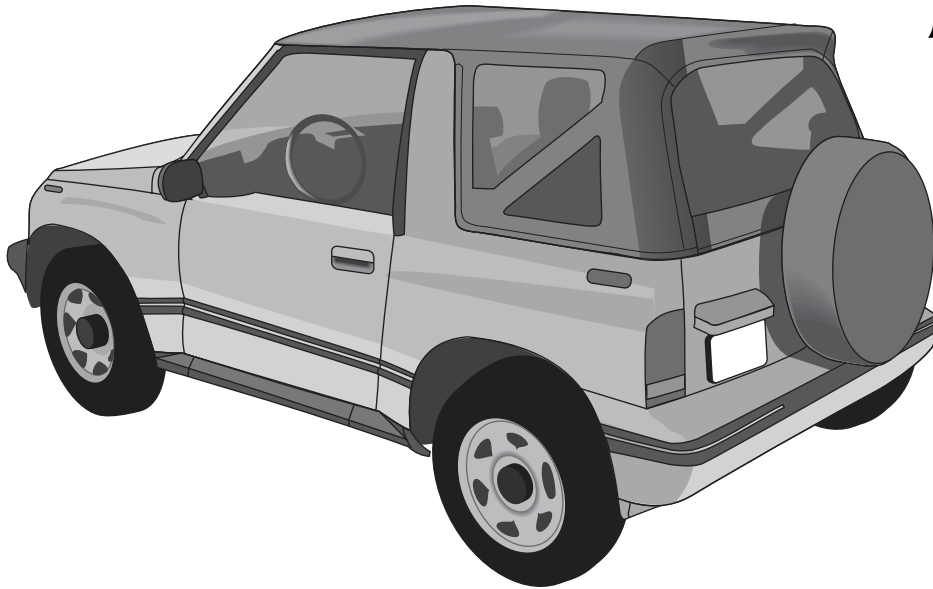
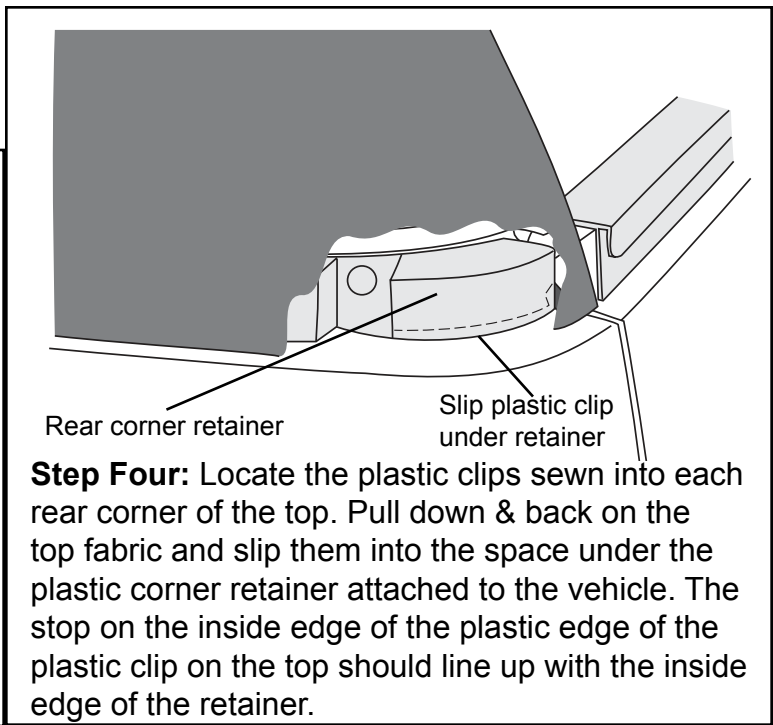
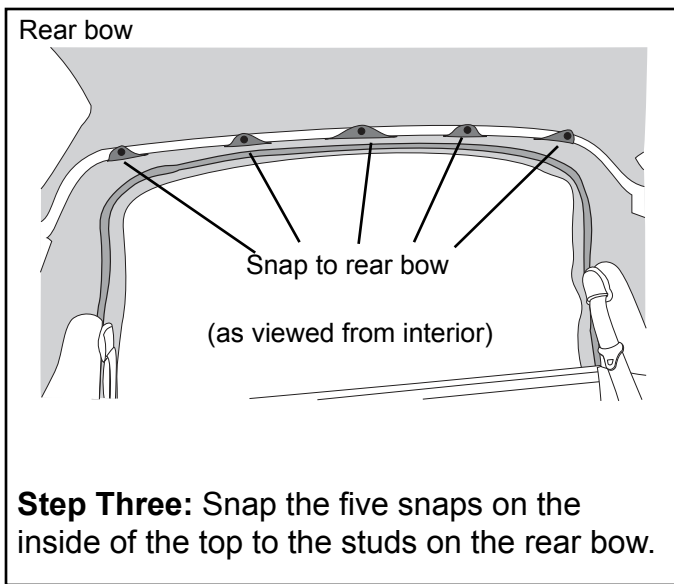
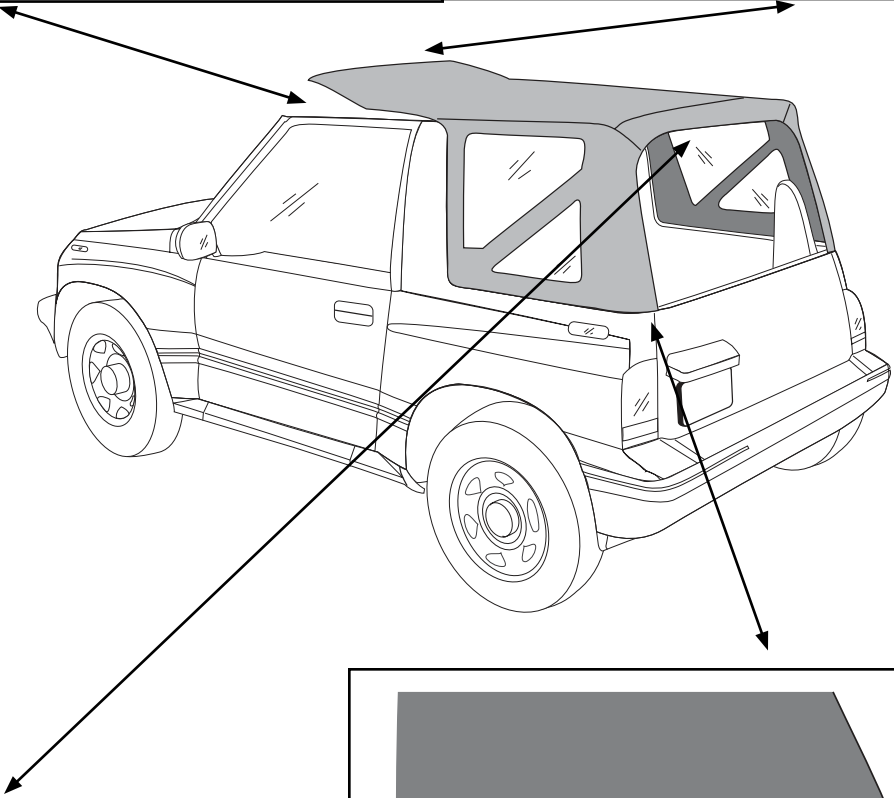
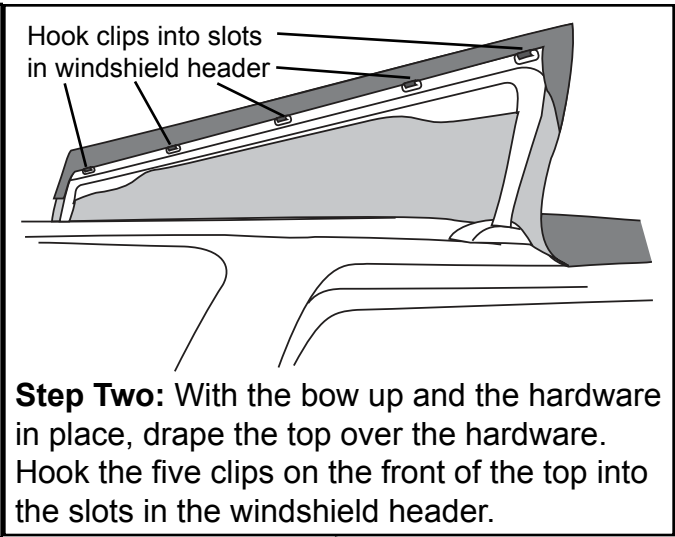
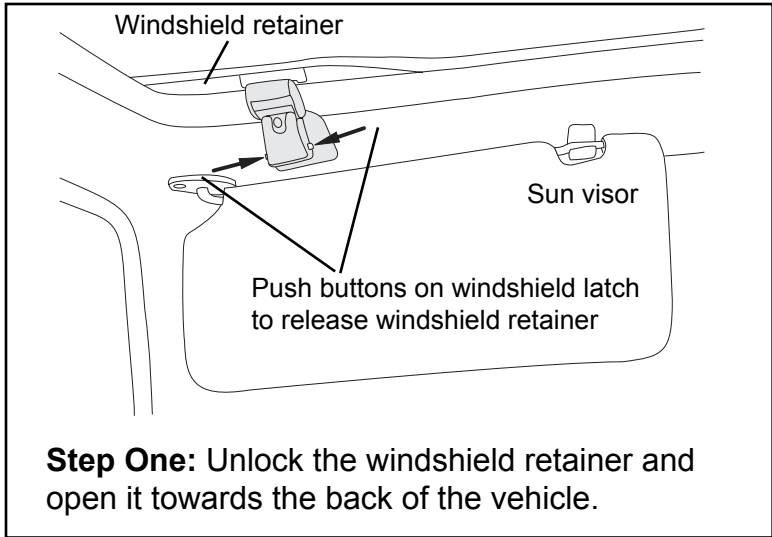


Fabric Replacement Top for 1988-94 Suzuki® Sidekick® / Geo Tracker
Black Denim - 53722.15
White Denim - 53722.52



Installation Tips: Before you begin installing this top assembly, read all instructions thoroughly. For ease of installation, the top should be installed at temperatures above 72° F. Below this temperature, the top may contract an inch or more, making it difficult to fit to the vehicle. It is normal for a top to contract and wrinkle when stored in the shipping carton and there may be indentations in the windows. Within a few days of exposure to sunlight, after the installation, the top will relax and the wrinkles will disappear.

WARNING: This top is intended to enhance the look of the vehicle and to shield the passengers from normal weather conditions. Do not rely, in any way, on the components of this top to contain occupants within the vehicle, or to protect against injury or death in the event of an accident. This top will not protect the passengers from falling objects. Never operate vehicle in excess of manufacturer's specifications. Read and follow, precisely, all installation instructions provided when installing this top. Failure to do so may result in a poor fitting top and could place occupants of the vehicle in a potentially dangerous situation. Remember to wear your seatbelt at all times.

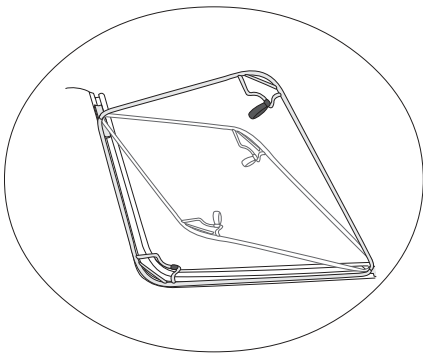
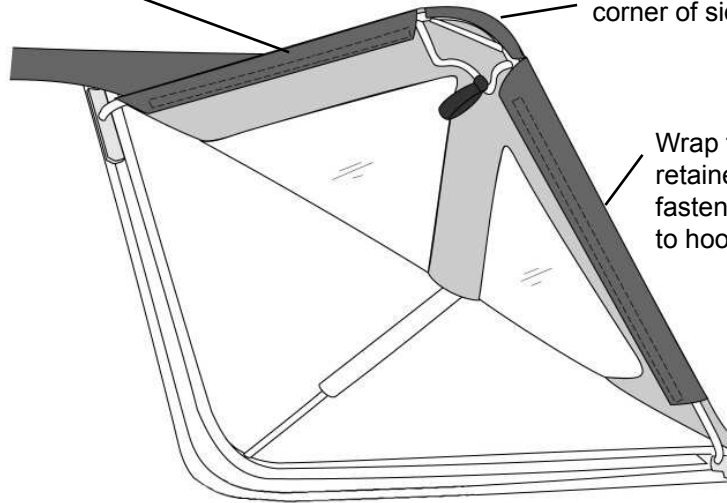


Step Five: Pull the side window retainer away from the vehicle body. Slip the side window of the top over the retainer. Separate the hook & loop sewn along the front edge of the side window, slide the retainer into place and fasten the hook & loop together around it. Then fit the corner of the retainer in place and fasten the hook & loop sewn along the bottom of the panel around the retainer.

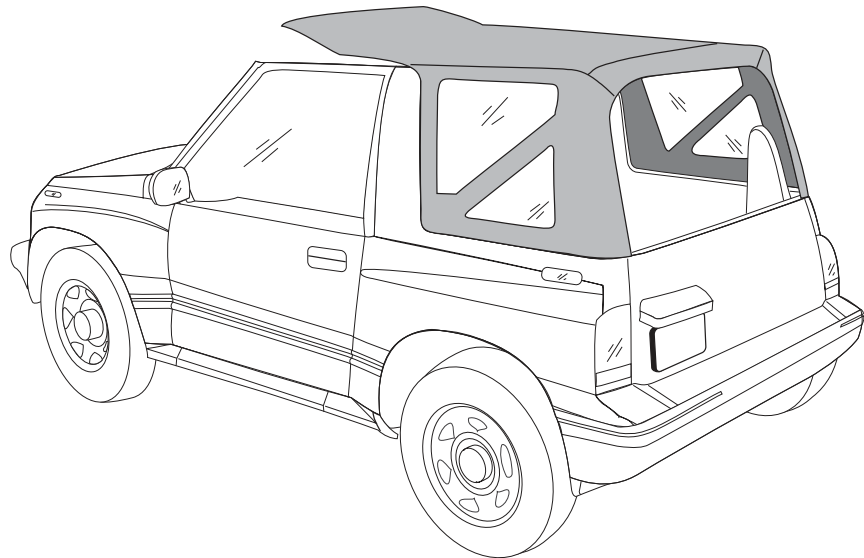
Wrap flap around retainer and fasten loop strip to hook strip

Slip retainer into corner of side panel

Wrap flap around retainer and fasten loop strip to hook strip



NOTE: To open



Care and Maintenance of your Rugged Ridge Soft Top

Your top is made of the finest materials available. To keep it looking new and for the maximum possible wear, it will need periodic cleaning and maintenance.

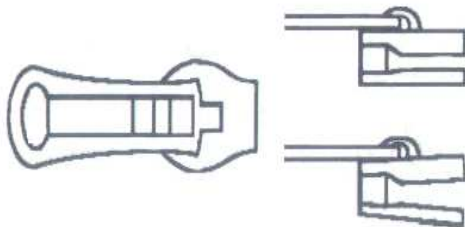
Washing: The top fabric should be washed often using soap, warm water and a soft bristle brush. Rinse with clear water to remove all traces of soap.

Windows: Keep windows clean to avoid scratching. DO NOT use a brush on the windows! Wash with a water soaked cloth or sponge or sponge and a mild dish washing detergent. NEVER WIPE THE WINDOWS WHEN THEY ARE DRY. Be careful when cleaning snow or frost from the vinyl windows since they are easily scratched and may crack at low temperatures. DO NOT roll the sides or rear window in cold weather. The windows become stiff and will crack.

Zippers: Keeping the zipper cleaned and lubricated with a silicone lubricant will help prevent damage and keep the zippers in a smooth working condition. If a zipper opens behind the slider, the slider may have been spread apart. This problem can usually be repaired by using an ordinary pair of pliers to bring the sides back into parallel. Return slider to the end of the zipper in the normal Open position. Squeeze lightly at first and test the zipper. If the zipper continues to remain open squeeze more firmly with the pliers and try the zipper again. Repeat this procedure until the zipper operates correctly.

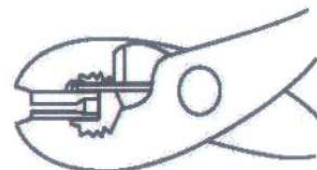
Water: Seeping through at the seams may be stopped by applying a water repellent on the inside of the seams. Rips in the fabric may be repaired with iron on patches. Iron the patches to the inside of the top. Carefully follow the manufacturers instructions.

Snaps: Keep snaps cleaned and lubricated with silicone to help prevent snaps from sticking to the studs. If a snap does become stuck to a stud, use a screwdriver and GENTLY pry apart to prevent permanent damage to the snap or the top fabric.



Normal Slider
Jaws Parallel

Damaged Slider
Jaws Spread Apart
(Sometimes Broken)



For Technical Assistance Contact:
Omix-Ada Tech Support
Phone: 1-800-449-6649
Email: techsupport@omix-ada.com
Web: www.Omix-Ada.com