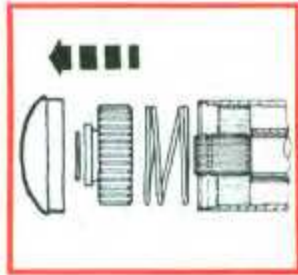


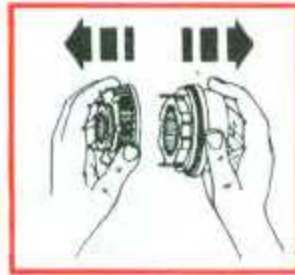
AVM INSTRUCTIONS

418 SUPER MANUAL

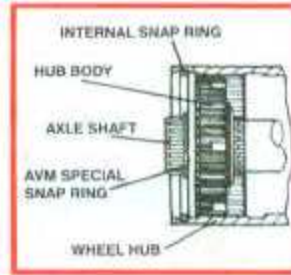
439 Internal Mount



1 Remove dust cap, snap ring, drive flange, spring and oil slinger (or old hub lock unit). Check ball joint, king pin, axle housing/spindle/bearings condition. Shafts must float freely in all directions.



2 Separate AVM hub assemblies (body assembly/cutch assembly)



3 Insert AVM body assembly into wheel hub and install internal snap ring. Install AVM special snap ring on axle shaft (DO NOT USE ORIGINAL SNAP RING).



4 Install clutch assembly. Cross torque allen screws to 14-16 Kp. cm (12-14 in. lbs).

MAINTENANCE

None required. AVM hubs are permanently lubricated. If unit is disassembled for inspection, do not use grease, lubricate lightly with SAE 30 oil.



OPERATION

2 Wheel Drive Turn control dials counter clockwise-using fingers only-to free position. Wheels are now completely disengaged from power train.

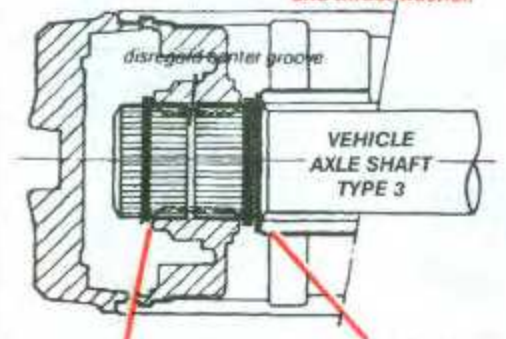
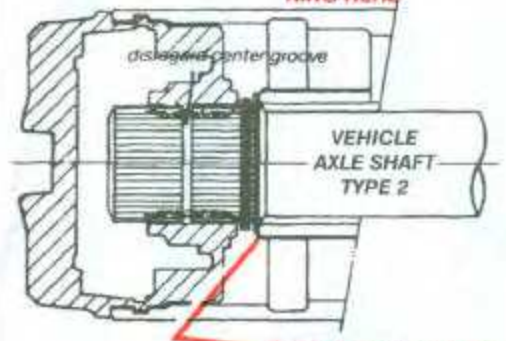
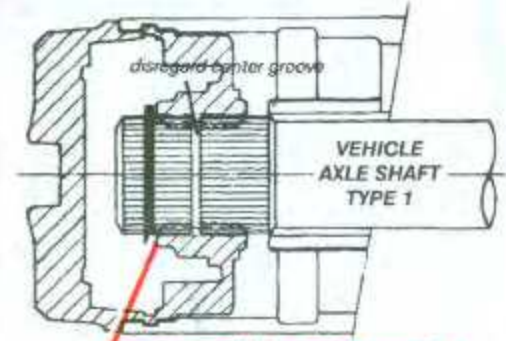
4 Wheel Drive Turn control dials clockwise-using fingers only-to lock position. Front drive now operates exactly as before installing hubs.

IMPORTANT

Different types of axles have been used by vehicle manufacturers.

Carefully identify which of the illustrations below matches your vehicle's axle.

Install AVM hubs according to instructions for your type of axle.



AVM special snap ring DO NOT USE ORIGINAL SNAP RING HERE

and/or Original inner snap ring and thrust washer