



RHINO-RACK

Aerodynamic & Heavy Duty Roof Rack Systems

SLS5 Rhino Sportz - Ladder Restrain Strap

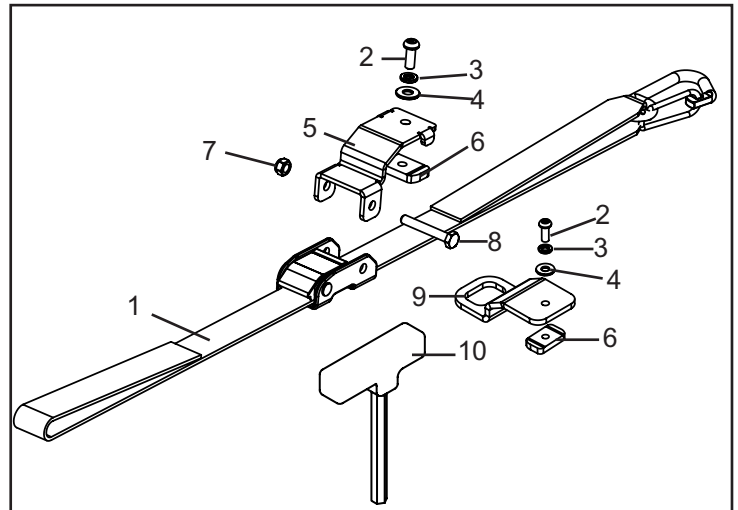
Place these instructions in the vehicle's glove box after installation is complete.

Important: Please read these instructions carefully prior to installation. Please refer to your fitting instruction to ensure that the roof racks are installed in the correct locations.

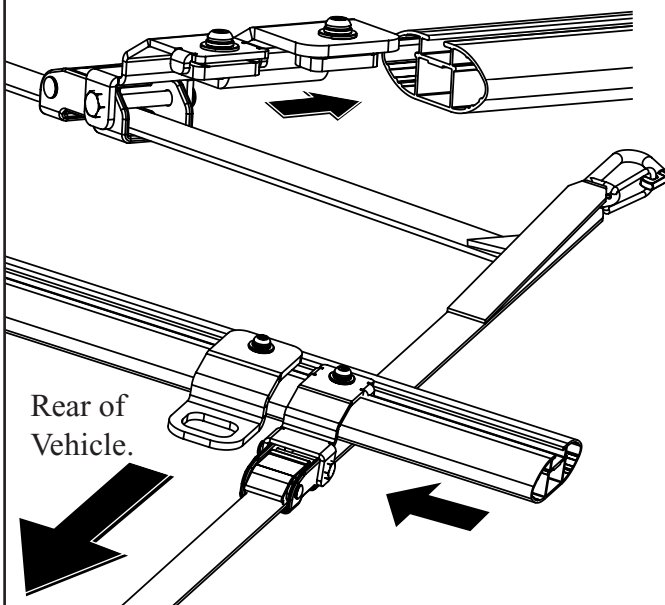
Parts List

Important: Check the contents of kit before commencing fitment and report any discrepancies.

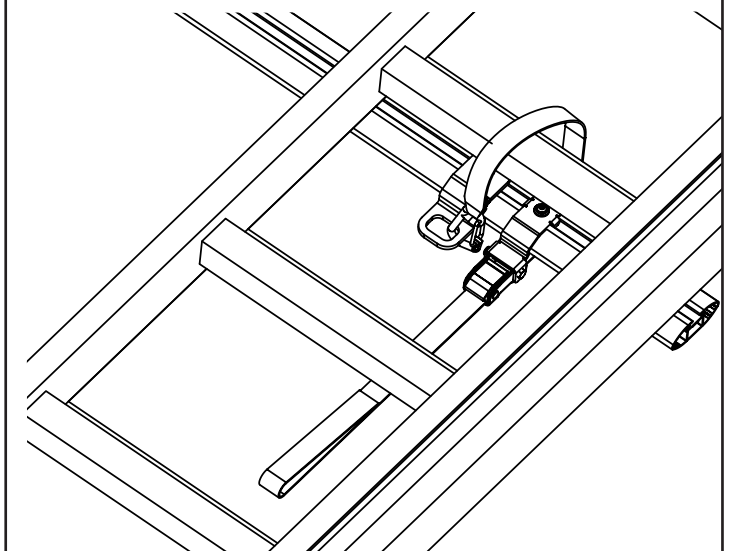
Item.	Component Name.	Qty.	Part No.
1	Camlock, Strap & Snap Hook.	1	C087
2	M6 x 15 Security Screw.	2	B152
3	M6 Spring Washer.	2	W004
4	M6 Flat Washer.	2	W031
5	Sportz Cam Lock Bracket.	1	C447
6	M6 Channel Nut.	2	N002
7	M6 Nyloc Nut.	1	N013
8	M6 x 50 Hex Bolt.	1	B024
9	Sportz Snap Hook Bracket.	1	C446
10	Allen Key	1	SECKEY-S



1 Remove the sportz leg if required. Slide the snap hook bracket and strap bracket into the end of the crossbar as per the diagrams. Position the camlock and hook bracket to suit the ladder, tighten the bolts with the allen key provided.



2 Wrap the snap hook end of the strap over the ladder runs. Snap the hook onto the hook bracket ensuring the safety latch is fully closed onto the hook. Pull the strap to tighten around the ladder runs. Check that the ladder is secure. To release the ladder, press the camlock latch and pull the strap back through the camlock, unhook the snap hook, if travelling with out a ladder, locate the snap hook onto the hook bracket.



Rhino-Rack
3 Pike Street, Rydalmere,
NSW 2116, Australia.
(Ph) (02) 9638 4744
(Fax) (02) 9638 4822

Prepared By: Alan Marshall
Authorised By: Gary England

Document No: RS-99
Issue No: 01
Issue Date: 19/05/06

These instructions remain the property of Fetovu Pty Ltd T/as Rhino-Rack and may not be used or changed for any other purpose than intended.