



RHINO-RACK

Aerodynamic & Heavy Duty Roof Rack Systems

RLLB Rhino Heavy Duty - Cable Lock Crossbar Attachment

Place these instructions in the vehicle's glove box after installation is complete.

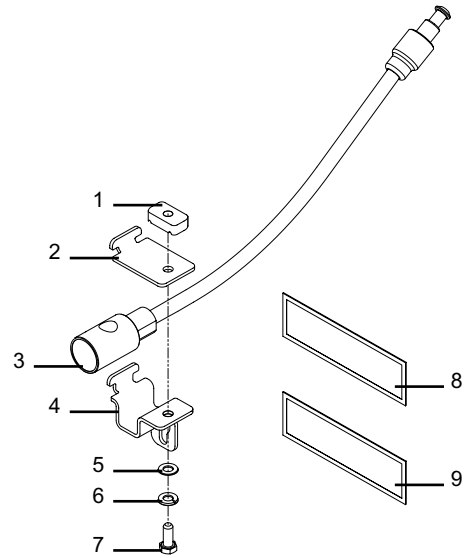
Important: Please read these instructions carefully prior to installation. Please refer to your fitting instruction to ensure that the roof racks are installed in the correct locations. Check the contents of kit before commencing fitment and report any discrepancies.

Parts List

Item	Component Name	Qty.	Part No.
1	M8 Channel Nut	1	N003
2	Upper Ladder Lock Bracket	1	C059A
3	Ladder Lock Cable	1	C061
4	Lower Ladder Lock Bracket	1	C059
5	M8 x 17 Flat Washer	1	W020
6	M8 Spring Washer	1	W019
7	M8 x 25mm Hex Bolt	1	B101
8	Warning Sticker Ladder Lock Cable	1	S193
9	Hand Hold Sticker Ladder Lock Cable	1	S194
10	Fitting instruction	1	RR06

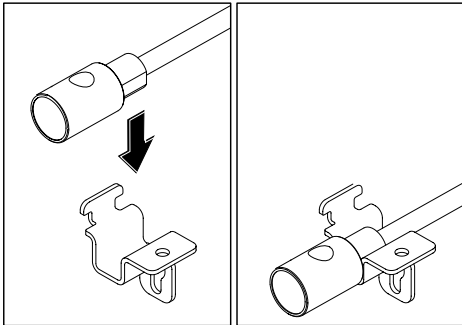
Tools Required

1/2" spanner



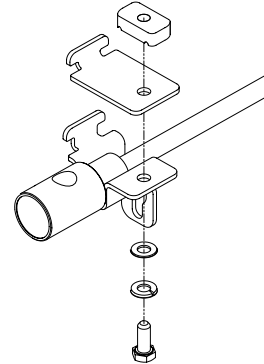
Unlock the cable lock, align the flats on the cable lock with the flats on the lower bracket and insert the cable lock into the lower bracket. Ensure the cable lock housing is fully located into the bracket.

1



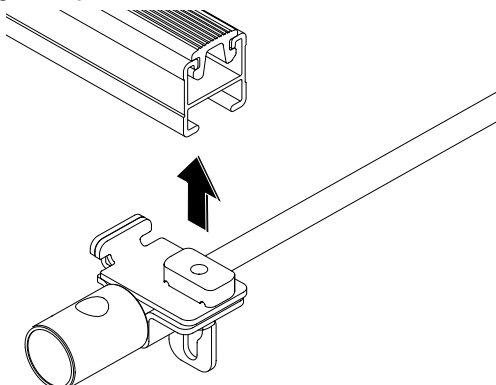
Assemble the nut, screw, washer and upper bracket. Place the upper and lower brackets together, screw on the channel nut, one turn, and align the channel nut.

2



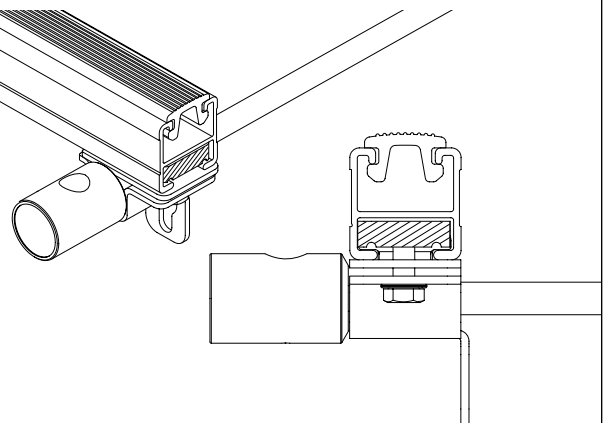
Insert the T-shaped lugs on the brackets into the underside of the crossbar. Turn the cable lock and bracket assembly so that the lugs engage the crossbar and the channel nut goes up into the crossbar recess.

3

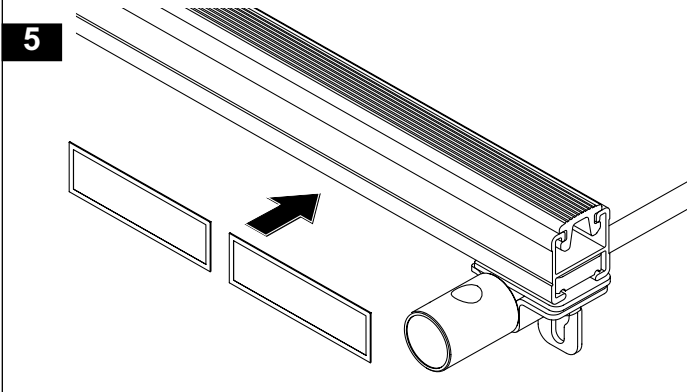


Check that the lock housing is facing the rear of the vehicle, turn the channel nut so that the channel nut is fully located across the crossbar.

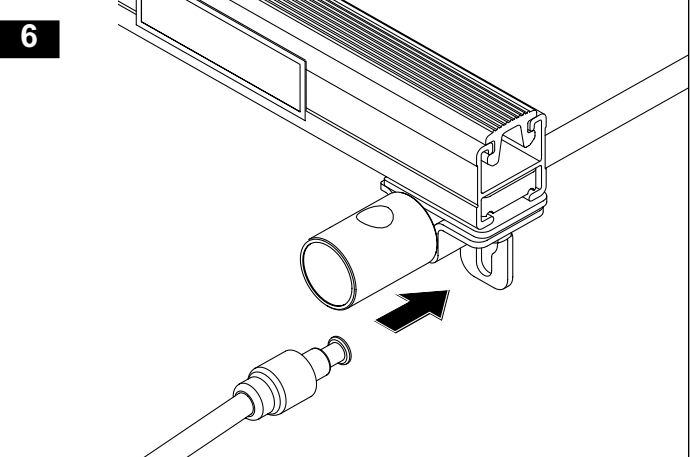
4



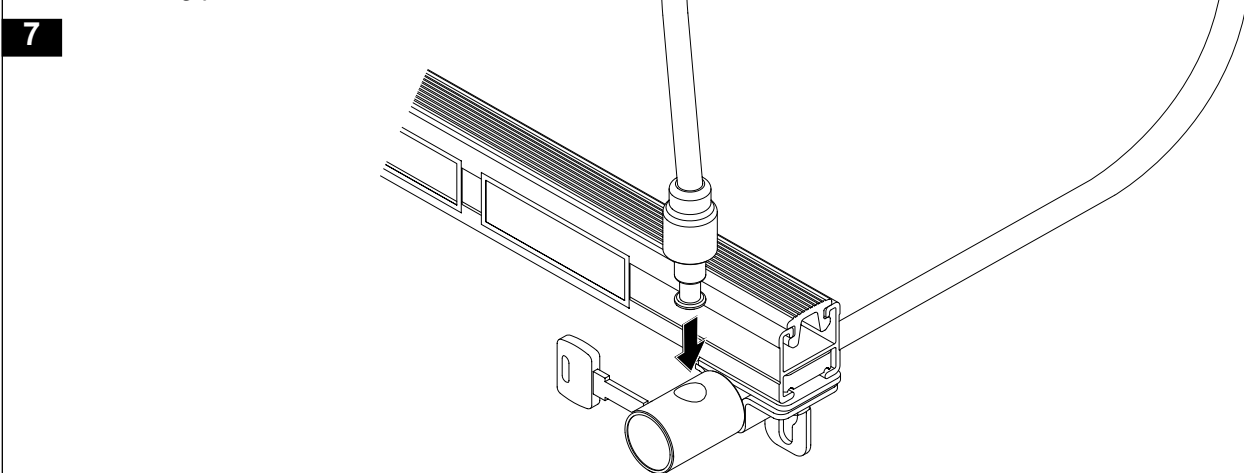
Position the cable lock and bracket assembly, tighten the screw to 5-6Nm to secure the bracket. Peel and stick the yellow warning labels onto the crossbar adjacent to the cable lock.



When unloading ladder secure cable lock into mounting bracket.



To lock cable lock, key must be in lock. Then insert locking pin and remove key. To unlock insert key, turn and remove locking pin.



Important Information

RECOMMENDATIONS

Please refer to your fitting instruction to ensure that the Rhino Heavy Duty roof racks are installed in the correct locations.

The vehicle's roof load rating may be less than the Rhino Heavy Duty roof rack load rating.

It is essential that all screw/bolt connections are checked after driving a short distance when you first install your Rhino-Rack. Screw/bolt connections should be checked again at regular intervals (probably once a week is enough, depending on road conditions, usage, loads and distances travelled). You should also check the Roof Racks each time they are refitted.

Roof Racks and accessories should be cleaned and all screw threads should be lubricated at regular intervals. This will help avoid damage to your vehicles paint surface. Always clean the vehicle roof and the mounting brackets before fitting the roof bars.

Rhino-Rack offers a 3 year warranty to the original purchaser of Rhino Roof Rack Systems and Accessories. Rhino-Rack cannot be held responsible for incorrect mounting of the roof racks or for usage that exceeds production tolerances.

Make sure to fasten the load securely. Please ensure that all loads are evenly distributed and that the centre of gravity is kept as low as possible.

USE ONLY NON-STRETCH FASTENING ROPES AND STRAPS

SENSITIVITY TO CROSSWINDS, BEHAVIOUR IN CURVES AND BRAKING

The handling of the car changes when you transport a load on the roof.

For safety reasons, we recommend you exercise extreme care when transporting wind resistant loads.

Special consideration must be taken into account when braking.

PLEASE REMOVE ROOF RACKS WHEN PUTTING VEHICLE THROUGH AUTOMATIC CAR WASH

NOTE FOR DEALERS AND FITTERS

It is your responsibility to ensure instructions are given to the end user or supplier.

Rhino-Rack
3 Pike Street, Rydalmere,
NSW 2116, Australia.
(Ph) (02) 9638 4744 (Fax) (02) 9638 4822

Document No: RR-06
Prepared By: Sheila Oliveira
Authorised By: Gary England

Issue No: 04
Issue Date: 08/03/2004

These instructions remain the property of Fetovu Pty Ltd T/as Rhino-Rack and may not be used or changed for any other purpose than intended.