



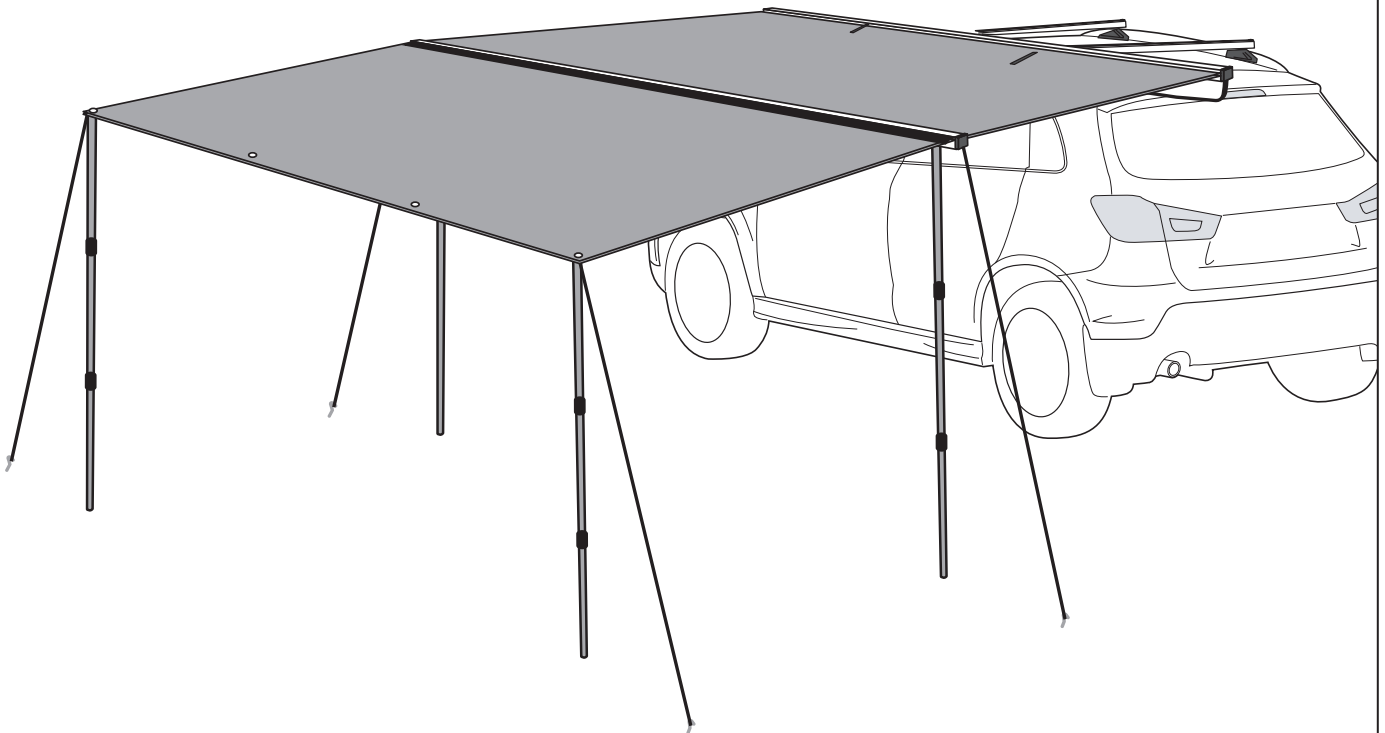
CONTROLLED

RHINO-RACK

Rhino-Rack SUNSEEKER II Awning Extension 2.0m (32111)

Important: Please read these instructions carefully prior to installation.
Please refer to your fitting instruction to ensure that the roof racks are installed in the correct locations.
Check the contents of kit before commencing fitment and report any discrepancies.
Place these instructions in the vehicle's glove box after installation is complete.

Layout



Note: The pegs and ropes must always be used when the SUNSEEKER awning and extension are open

This kit is to be used in conjunction with the Rhino-Rack SUNSEEKER II Awning 2.0 metres (32109)

Important Information

Please remove SUNSEEKER Awning and crossbars when putting vehicle through an automatic car wash.

Note for Dealers and Fitters

It is your responsibility to ensure this fitting instruction is given to the end user or client

Rhino-Rack
3 Pike Street, Rydalmere,
NSW 2116, Australia.
(Ph) (02) 9638 4744
(Fax) (02) 9638 4822

Document No: R243
Prepared By: Andy Wana
Authorised By: Chris Murty

Issue No: 02
Issue Date: 20/03/2015

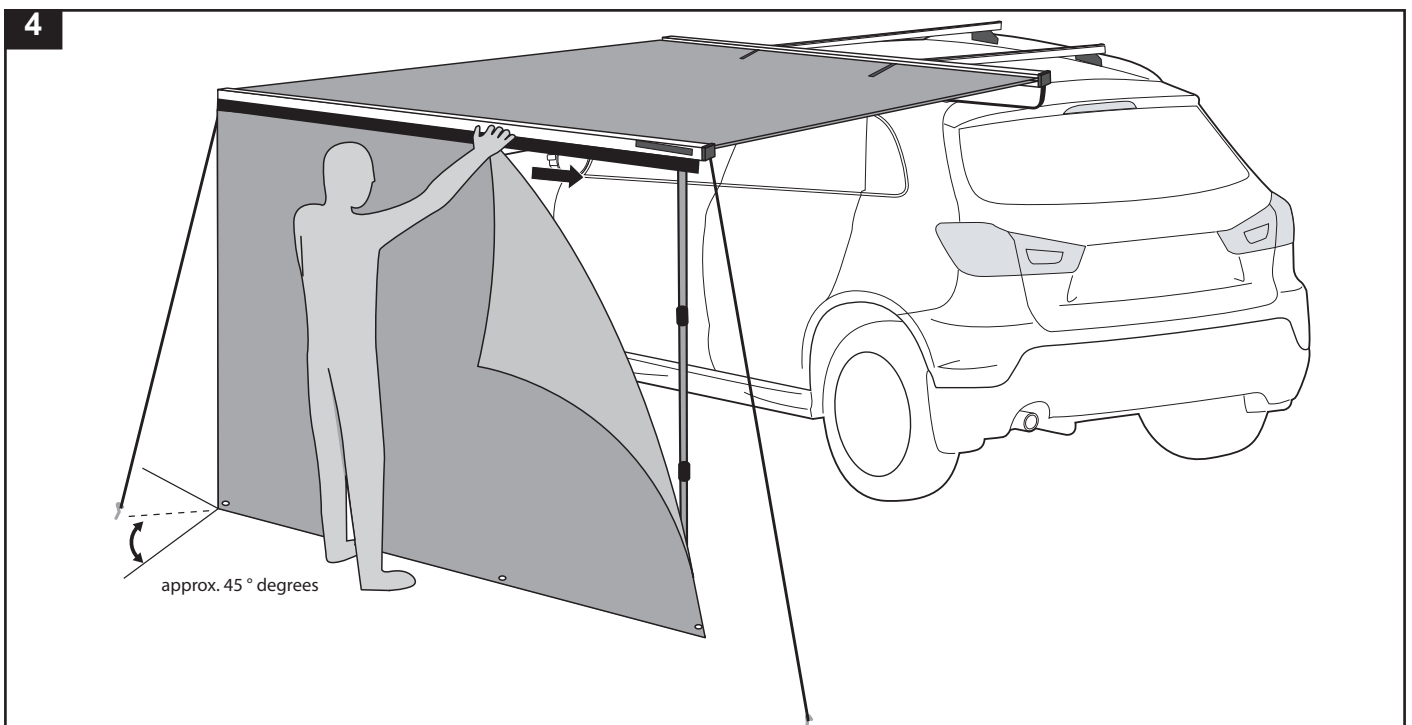
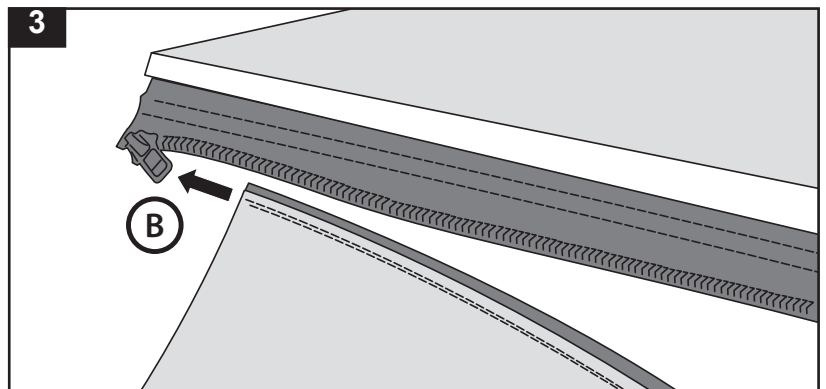
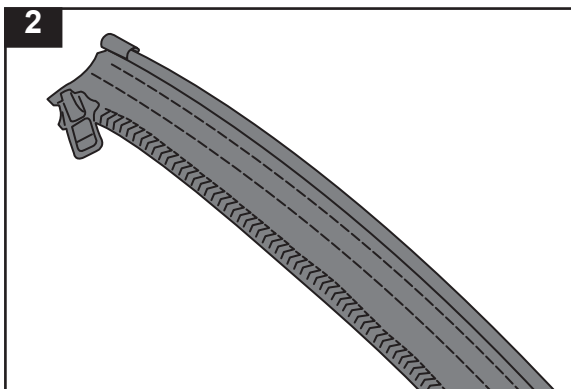
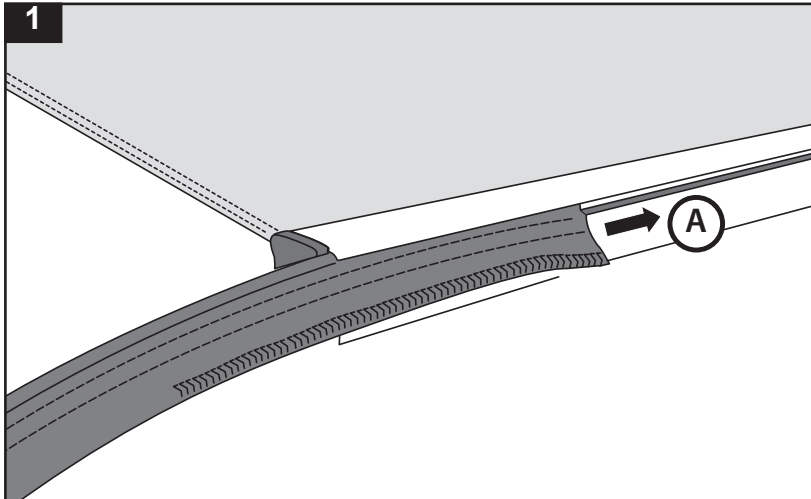
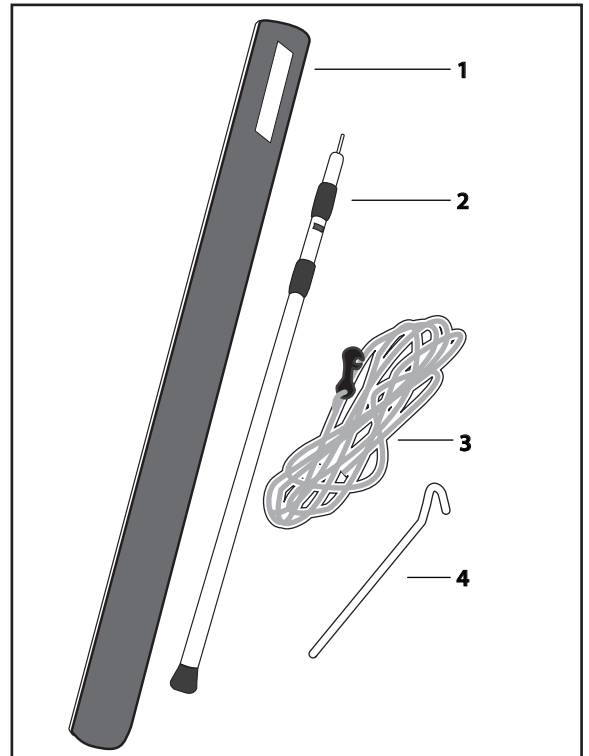
These instructions remain the property of Rhino-Rack Australia Pty Ltd and may not be used or changed for any other purpose than intended.



Rhino-Rack SUNSEEKER II Awning Extension 2.0m (32111)

Parts List

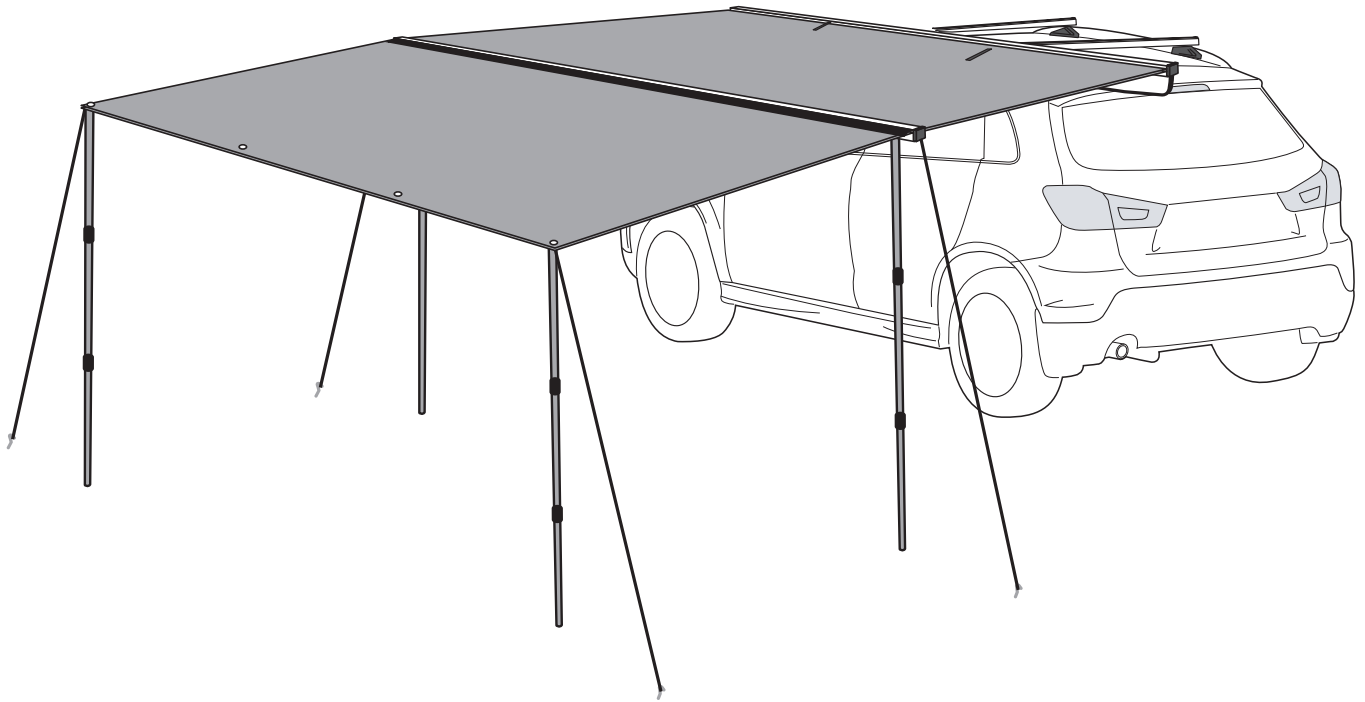
Item	Component Name	Qty
1	Rhino SUNSEEKER Awning Extension	1
2	Upright Poles	2
3	Guy Ropes	2
4	Metal Pegs	2
5	Fitting Instruction	1





5

Option A



6

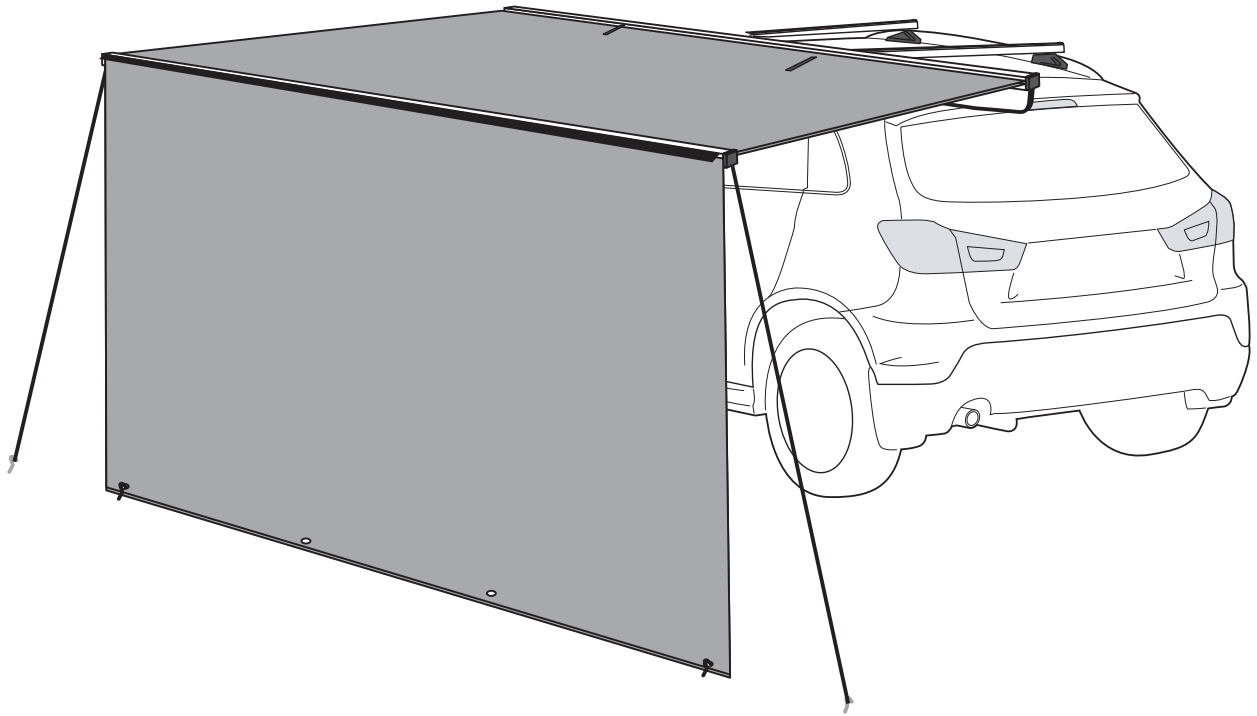
Option B





7

Option C



8

Place the Sunseeker Awning Extension in the supplied bag when not in use. Store inside your vehicle when traveling.

