



# RHINO-RACK

Aerodynamic & Heavy Duty Roof Rack Systems

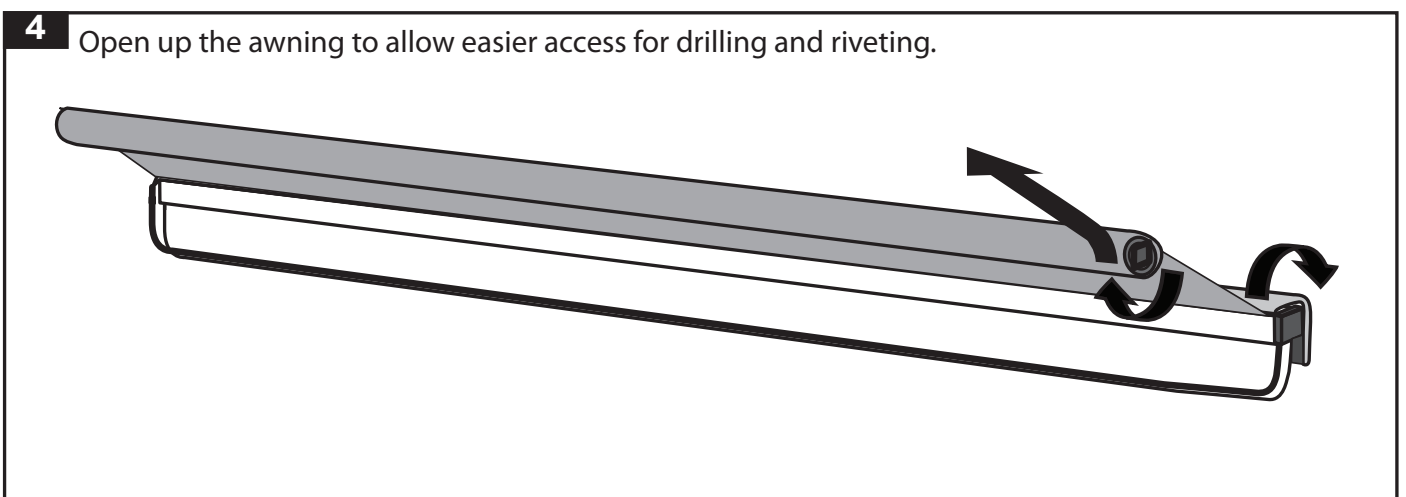
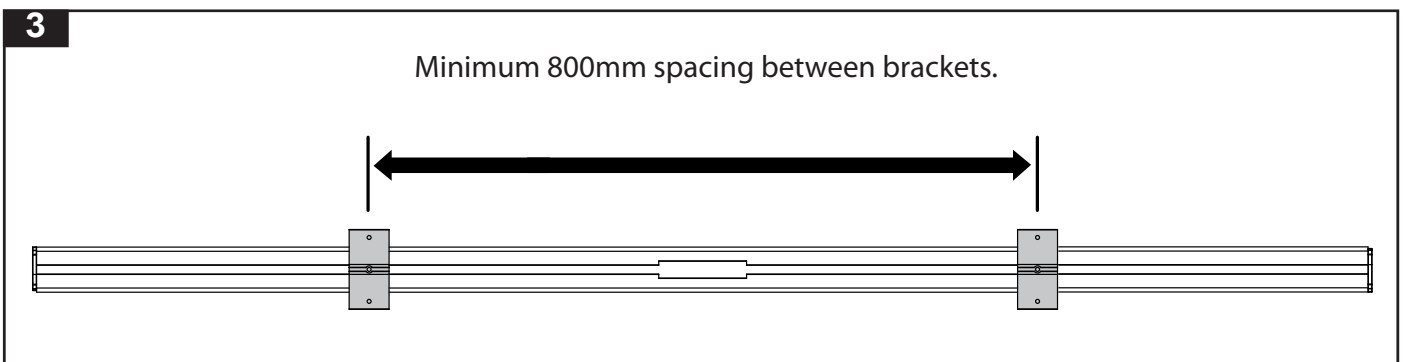
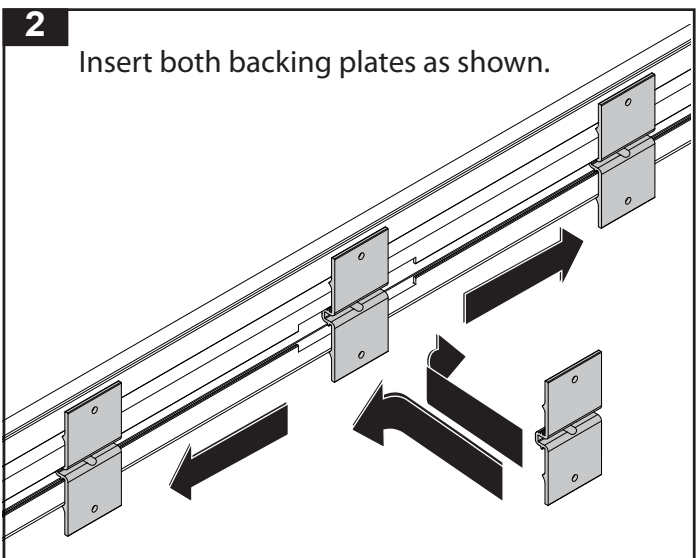
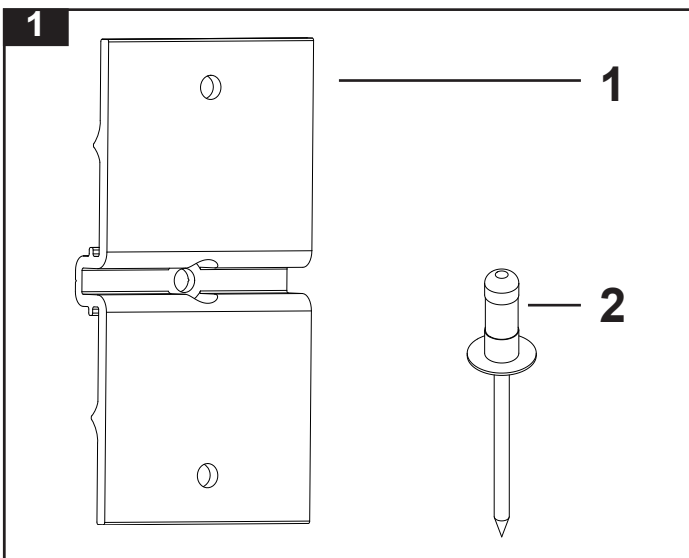
## Rhino-Rack Sunseeker Wall Mounting Fit Kit (32104)

**Important:** Please read these instructions carefully prior to installation.  
Check the contents of kit before commencing fitment and report any discrepancies  
Place these instructions in the vehicle's glove box after installation is complete.

### Parts List

| Item | Component Name       | Qty | Part No. |
|------|----------------------|-----|----------|
| 1    | Backing Plate        | 2   | A394     |
| 2    | Rivet                | 2   | H008     |
| 3    | Fitting Instructions | 1   | RR218    |

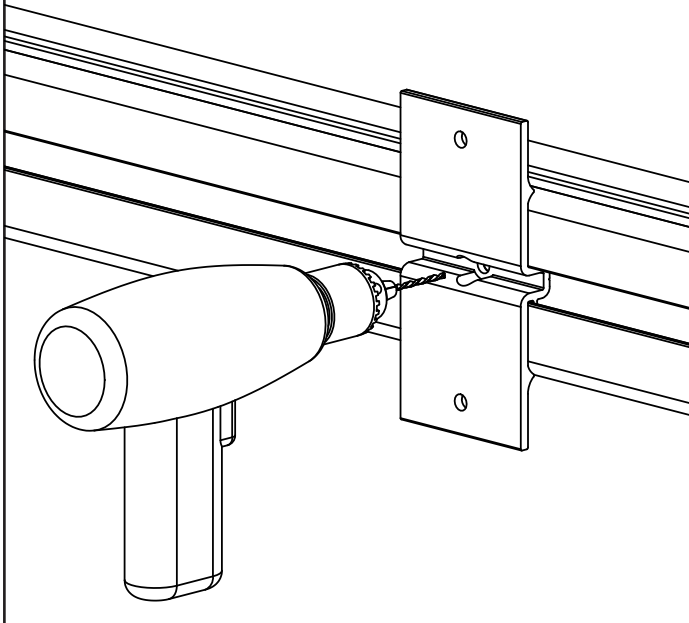
This kit is to be used in conjunction with the fitting instruction supplied with your Rhino-Rack Sunseeker Awning



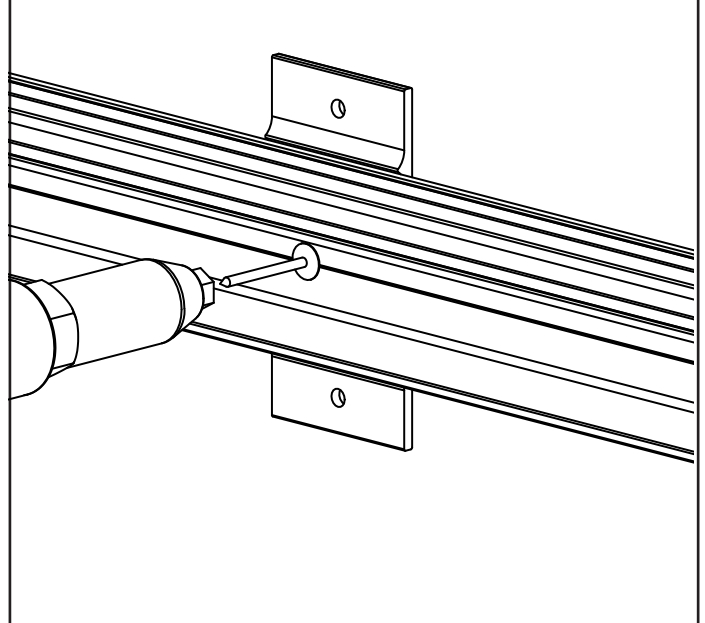


# Rhino-Rack Sunseeker Wall Mounting Fit Kit (32104)

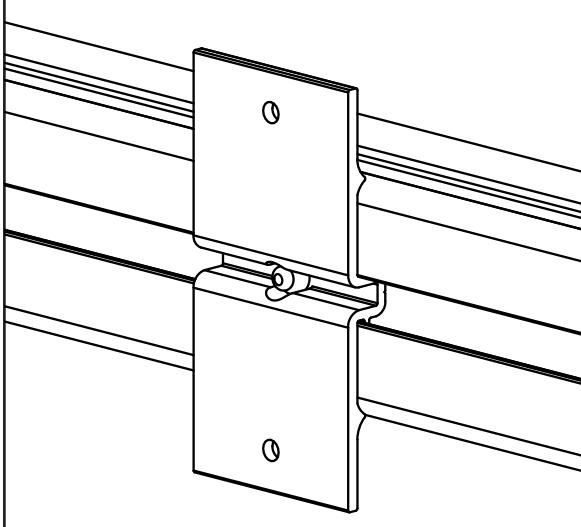
**5** Drill through the bracket and extrusion as shown, make sure that the awning is opened up as per step 4. Failure to do so will result in damage to the awning and void warranty.



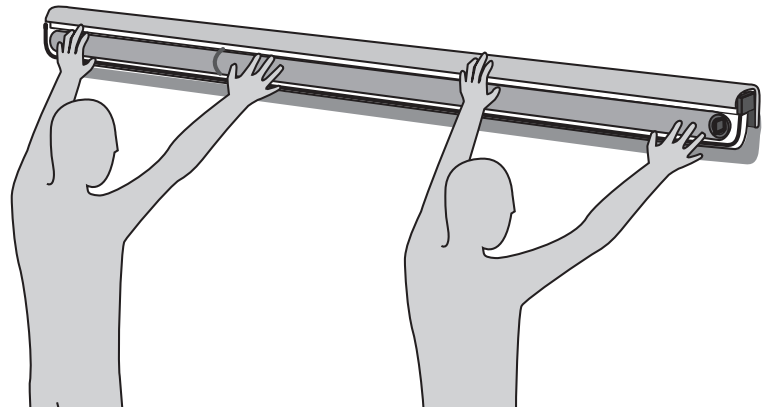
**6** Remove swarf. Use the supplied rivets (item 2) to rivet the brackets onto the extrusion.



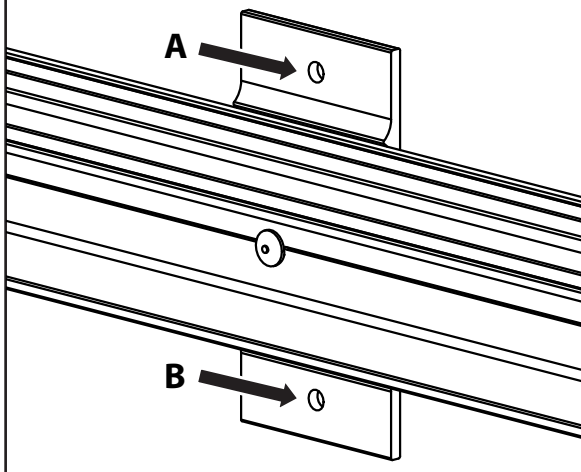
**7** Ensure rivet is located as shown



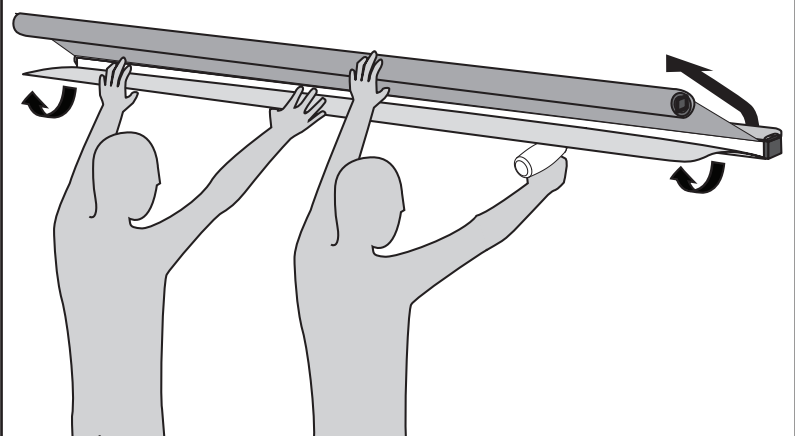
**8** Mount the awning onto the wall or suitable application. Use suitable fasteners (not supplied) to fasten in place.



**9** Ensure that you use fasteners for both top (A) and bottom (B) holes



**10** Assistance from a second person may be required to fasten the awning.



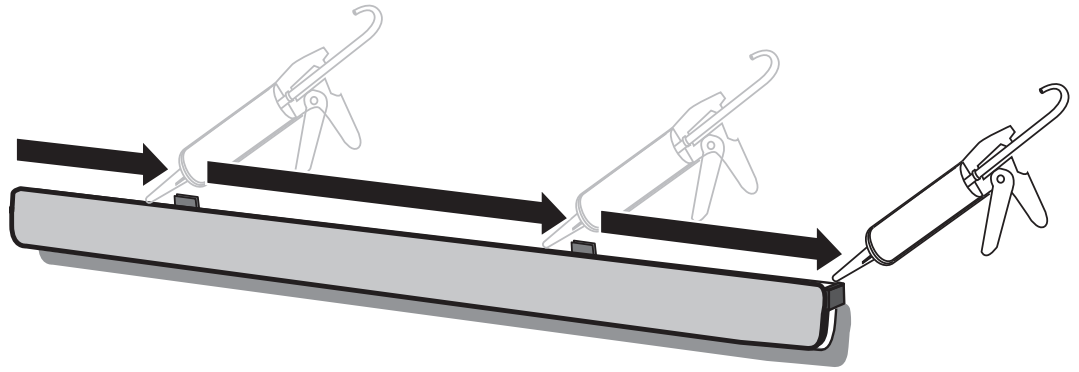


# Rhino-Rack Sunseeker Wall Mounting Fit Kit (32104)

**11**

**OPTIONAL**

Run a bead of sealastic across the back for waterproofing.



**12**

The awning is ready to be used.



Rhino-Rack  
3 Pike Street, Rydalmere,  
NSW 2116, Australia.  
(Ph) (02) 9638 4744  
(Fax) (02) 9638 4822

Document No: RR218  
Prepared By: Andy Wana  
Authorised By: Gary England

Issue No: 01  
Issue Date: 30/04/2009