



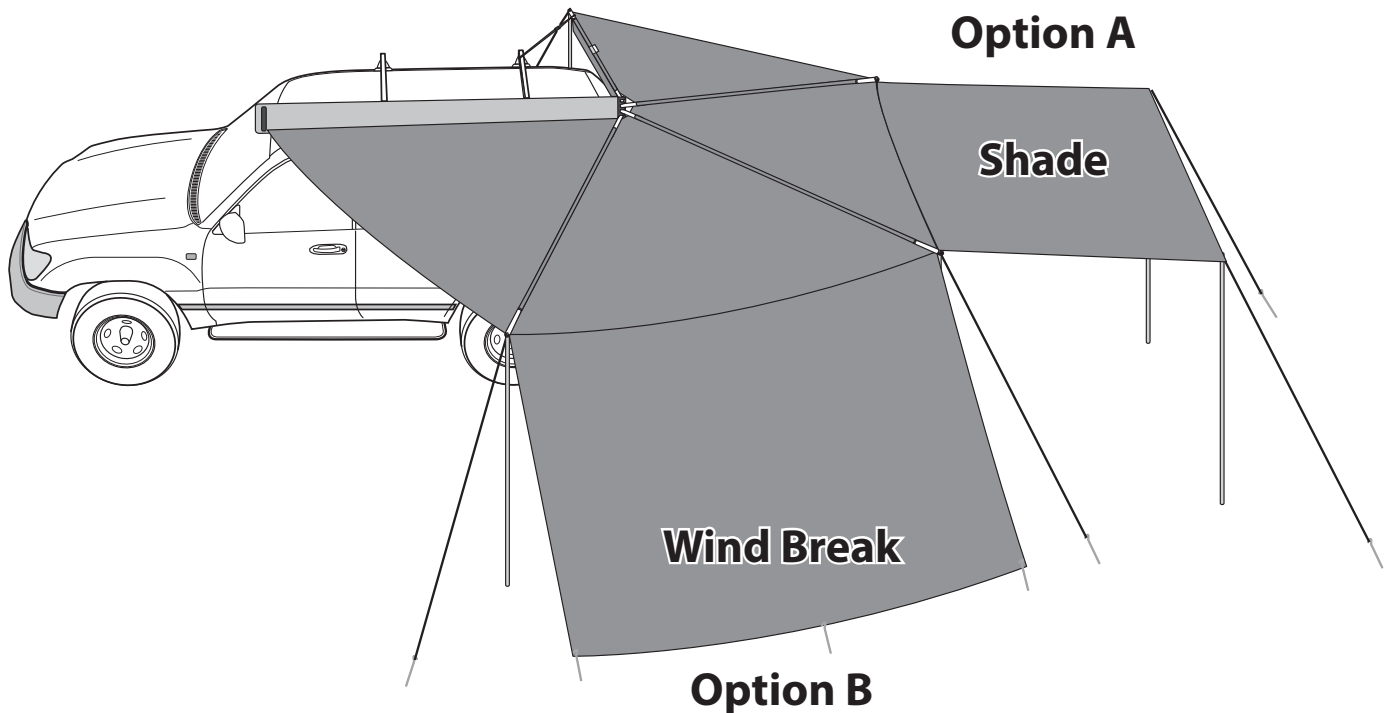
CONTROLLED

RHINO-RACK

Rhino-Rack FOXWING and SUNSEEKER II Awning Extension (31101)

Important: Please read these instructions carefully prior to installation.
Check the contents of kit before commencing fitment and report any discrepancies.
Place these instructions in the vehicle's glove box after installation is complete.

Layout



Note : The poles and ropes must always be used when the FOXWING awning is open
Up to 4 awning extensions can be fitted at one time

**This kit is to be used in conjunction with the Rhino-Rack Foxwing Awning
or Rhino-Rack Sunseeker II Awning**

Important Information

Please remove FOXWING / SUNSEEKER II Awning and crossbars when putting vehicle through an automatic car wash.

Note for Dealers and Fitters

It is your responsibility to ensure that this fitting instruction is given to the end user or client.

Rhino-Rack
3 Pike Street, Rydalmere,
NSW 2116, Australia.
(Ph) (02) 9638 4744
(Fax) (02) 9638 4822

Document No: RR223
Prepared By: Andy Wana
Authorised By: Chris Murty

Issue No: 03
Issue Date: 20/03/2015

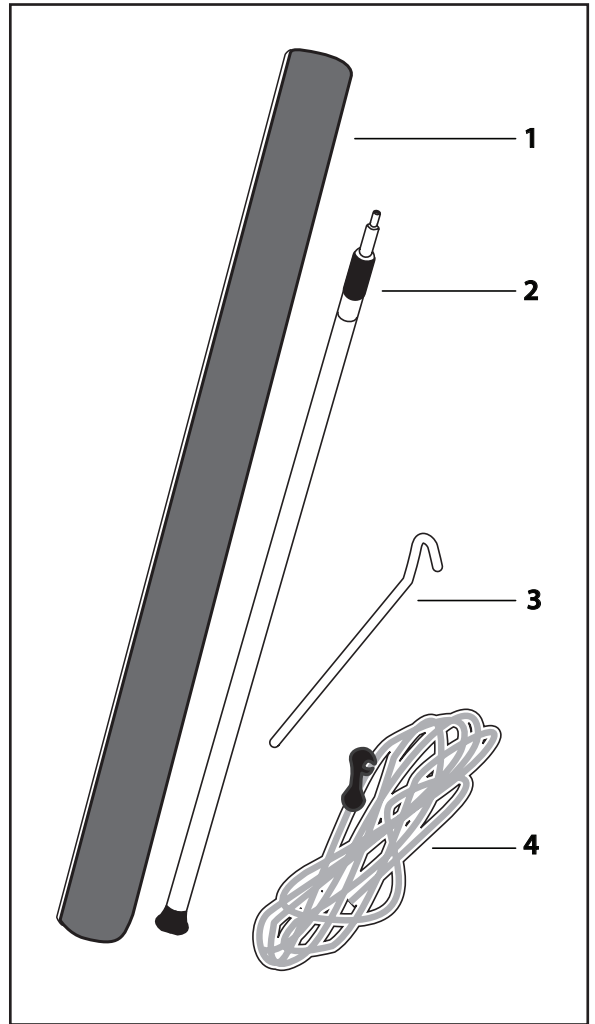
These instructions remain the property of Rhino-Rack Australia Pty Ltd and may not be used or changed for any other purpose than intended.



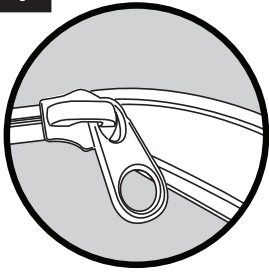
Rhino-Rack FOXWING and SUNSEEKER II Awning Extension (31101)

Parts List

Item	Component Name	Qty
1	FOXWING / SUNSEEKER II Awning Extension	1
2	Telescopic Poles	2
3	Metal Pegs	3
4	Guy Ropes	2
5	Fitting Instruction	1

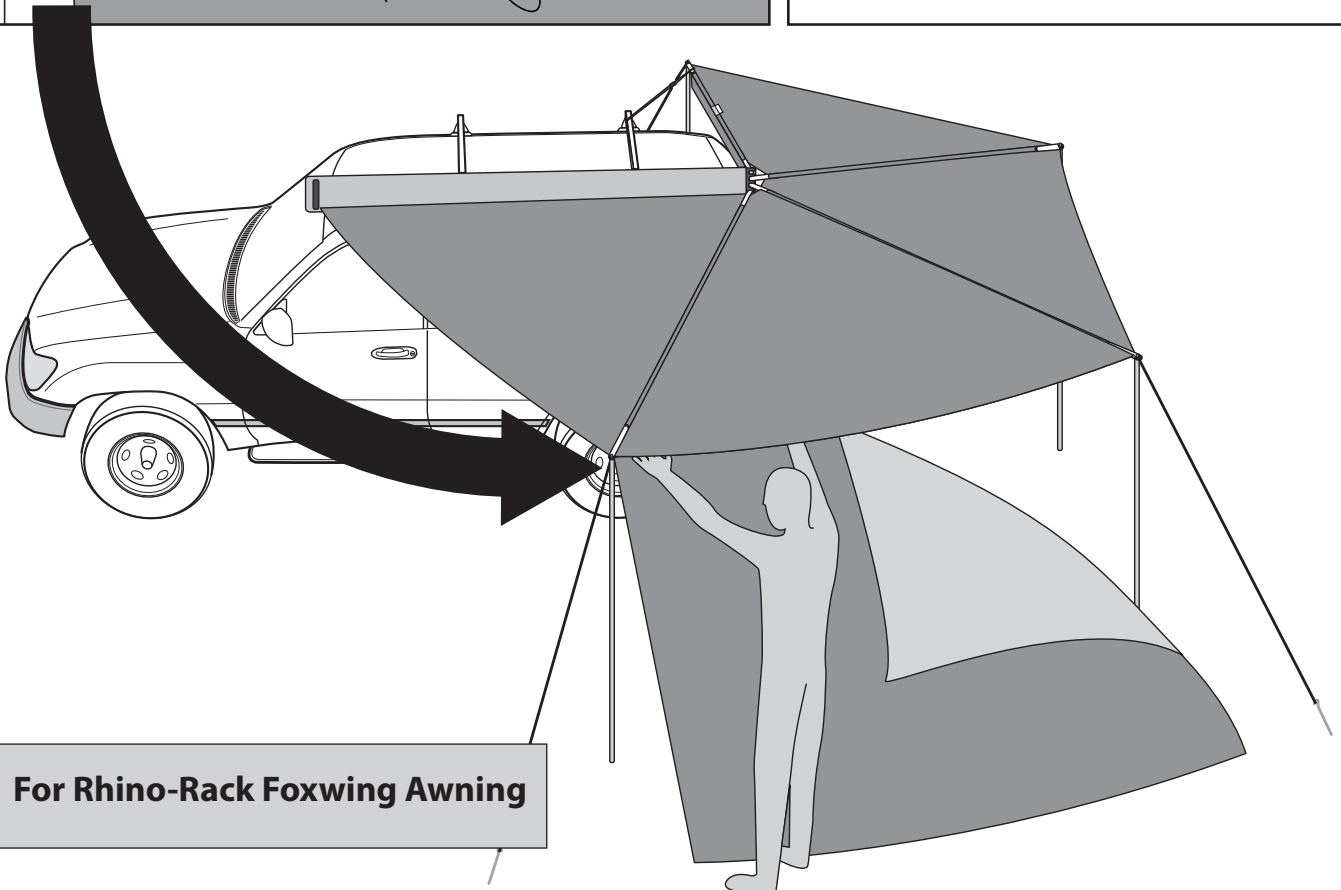
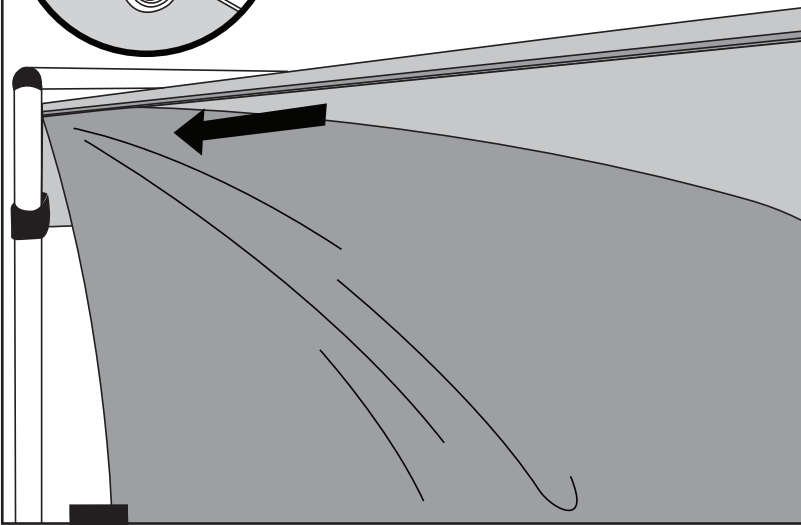


1



FOXWING
Refer to page 2-4

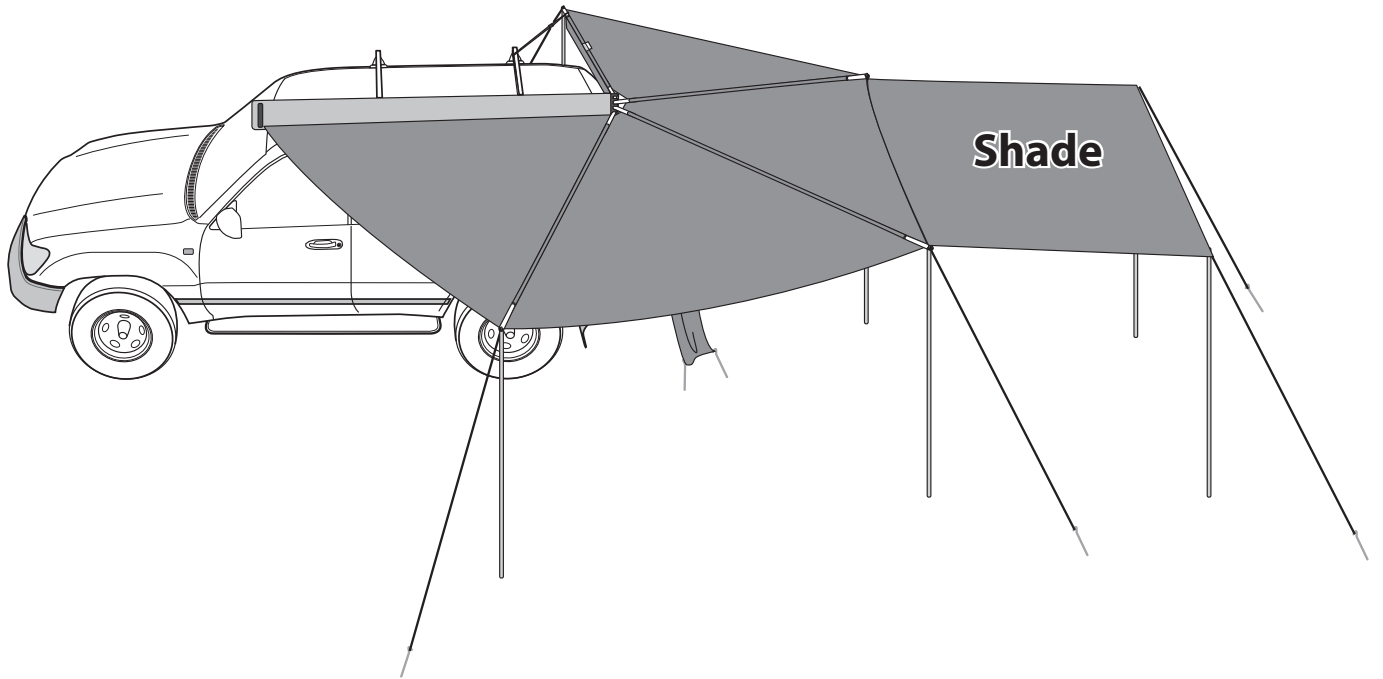
SUNSEEKER II
Refer to page 4-6



For Rhino-Rack Foxwing Awning

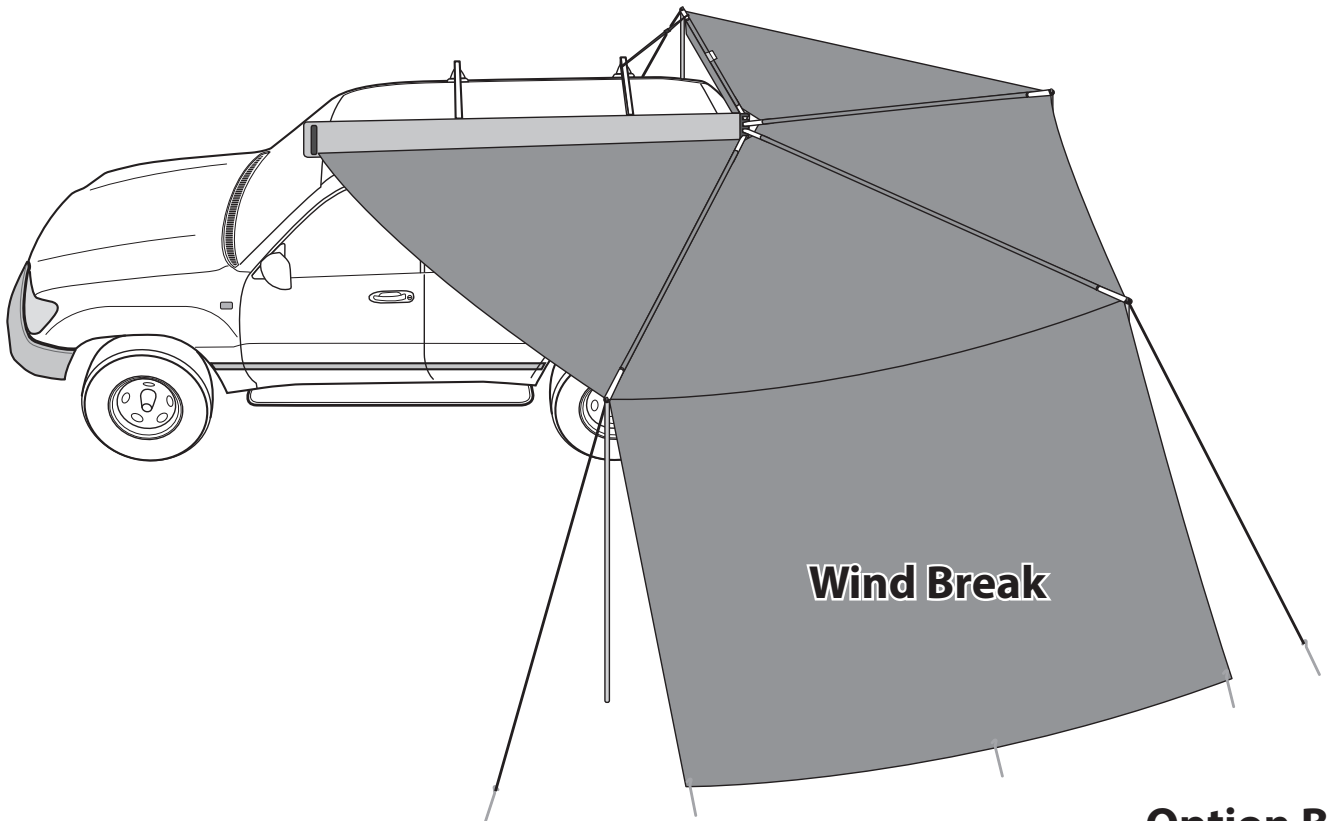


2



Option A
Can be installed to any of the 4 awning sections

3



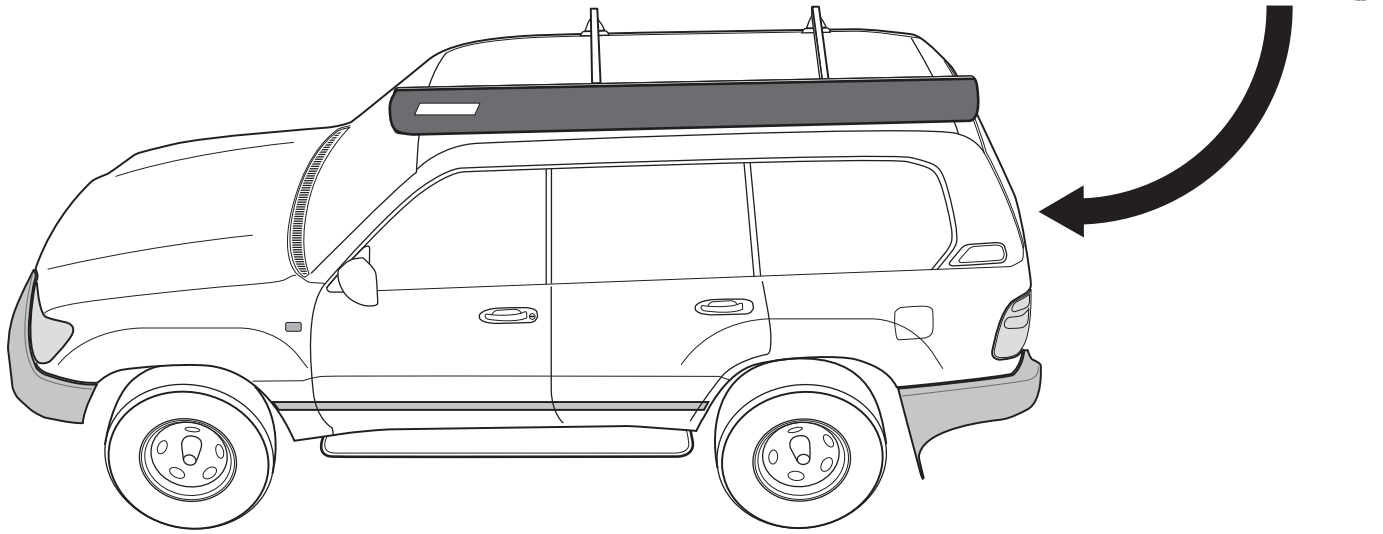
Option B
Can be installed to any of the 4 awning sections



Rhino-Rack FOXWING and SUNSEEKER II Awning Extension (31101)

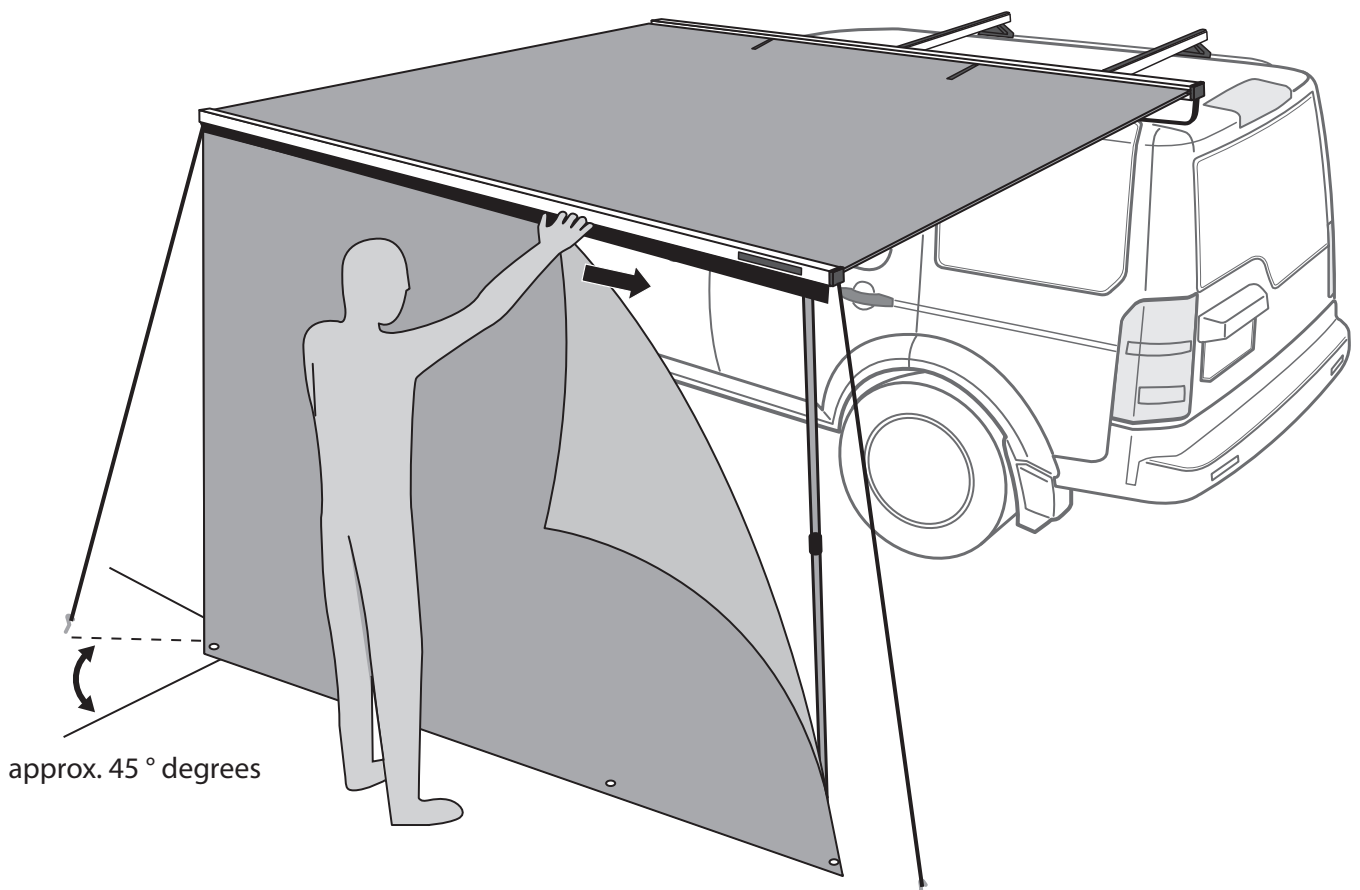
4

Place the FOXWING Awning Extension kit in the supplied bag when not in use. Store the bag inside your vehicle when traveling.



1

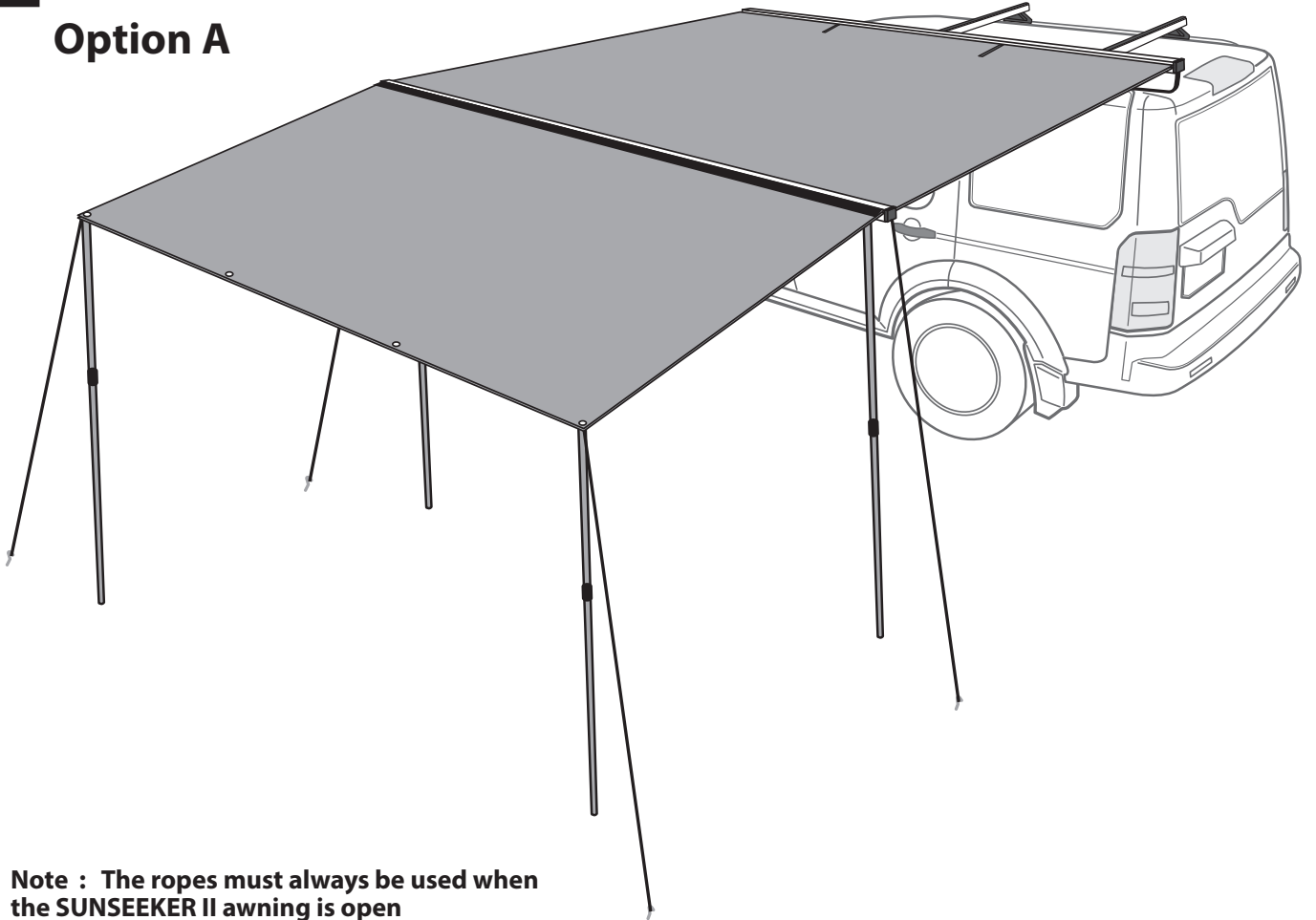
**For Rhino-Rack SUNSEEKER II Awning
Needs Extension Adaptor (32106)**





2

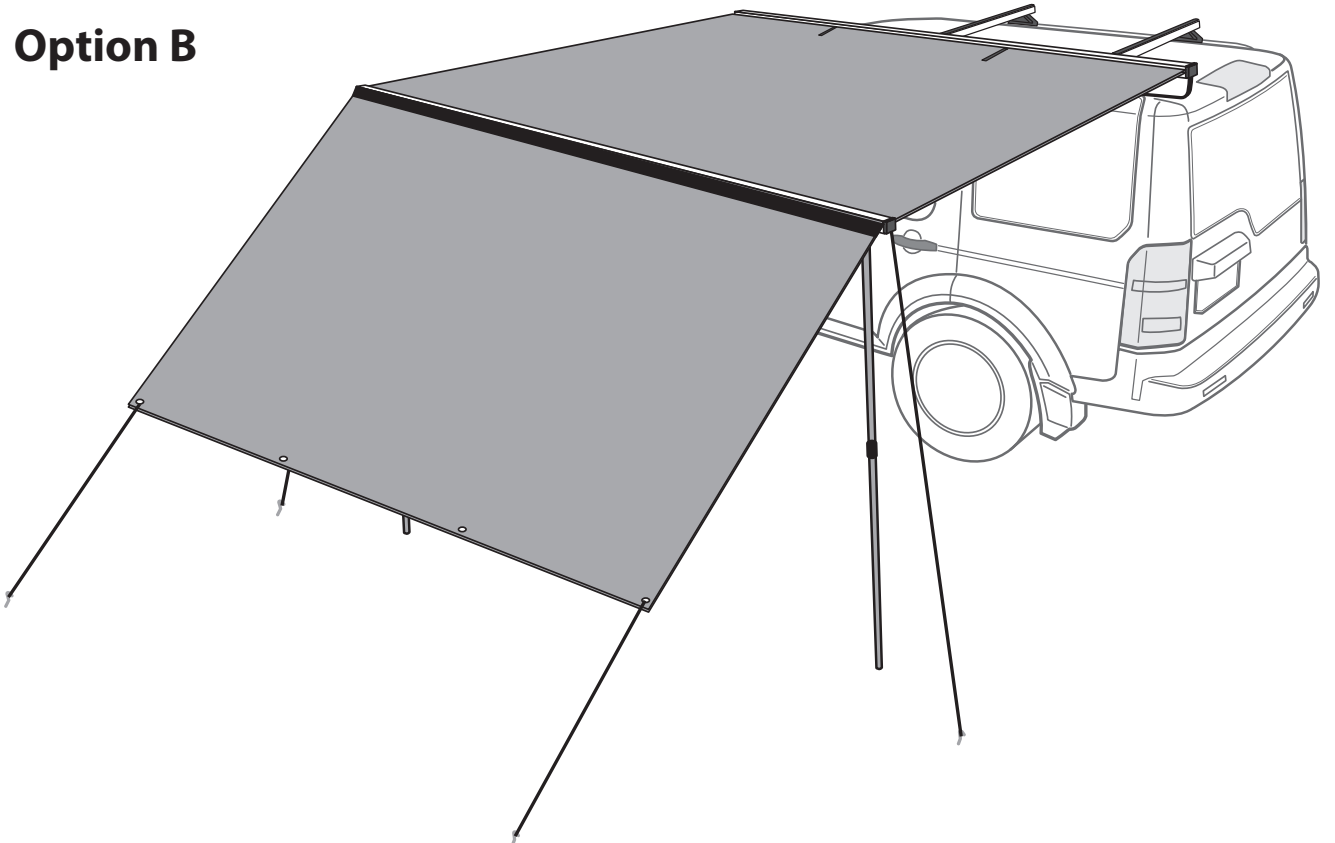
Option A



Note : The ropes must always be used when the SUNSEEKER II awning is open

3

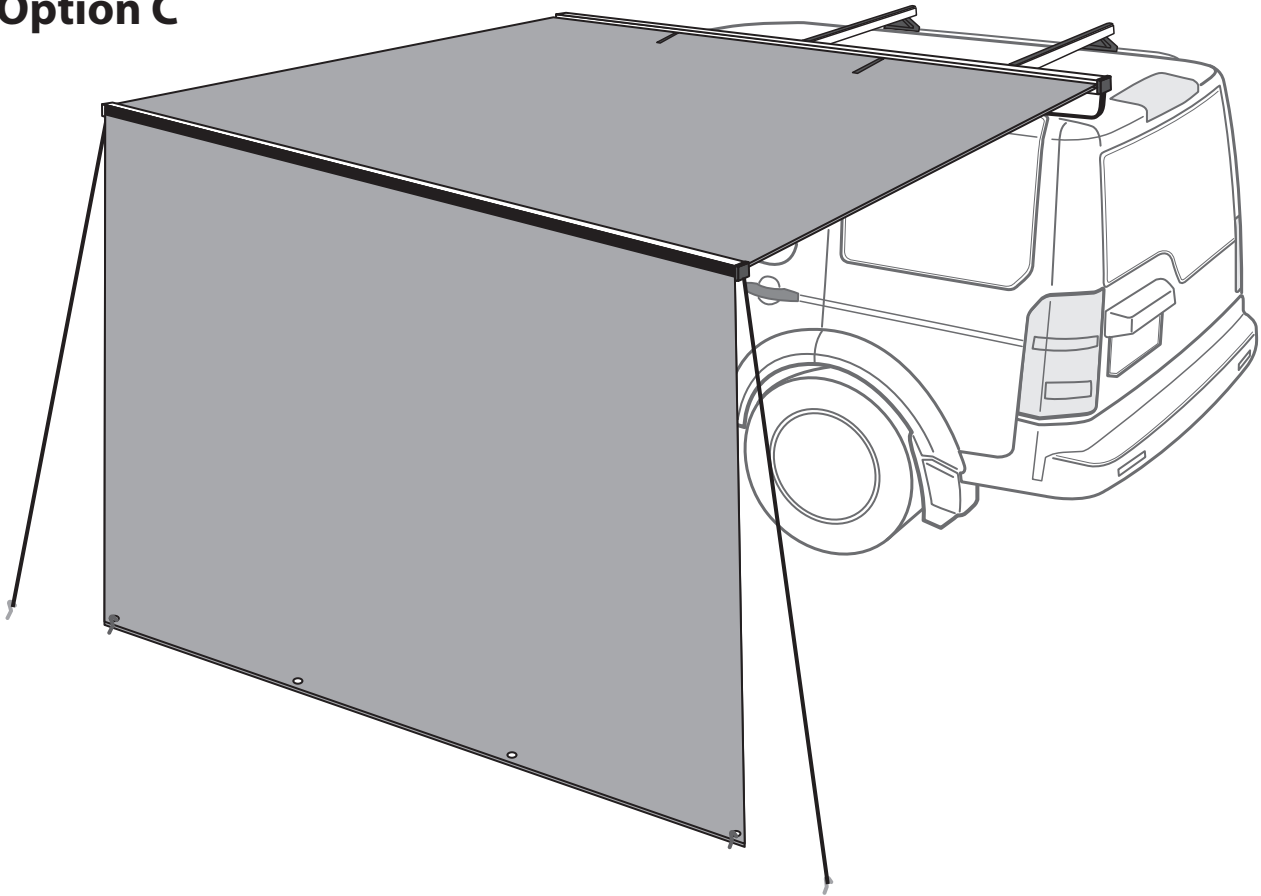
Option B





4

Option C



5

Place the Sunseeker II Awning Extension in the supplied bag when not in use. Store inside your vehicle when traveling. Ensure that it's dry before storage.

