



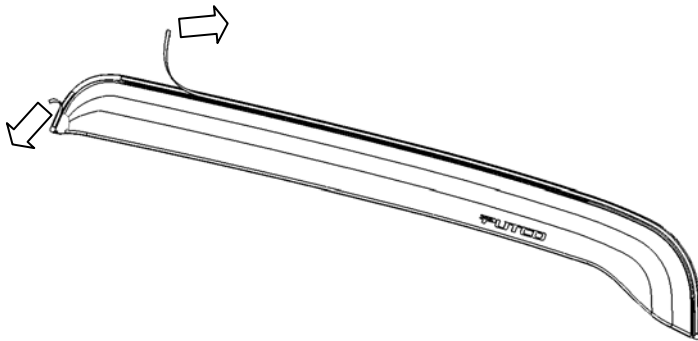
Driver Side - Rear

**A**

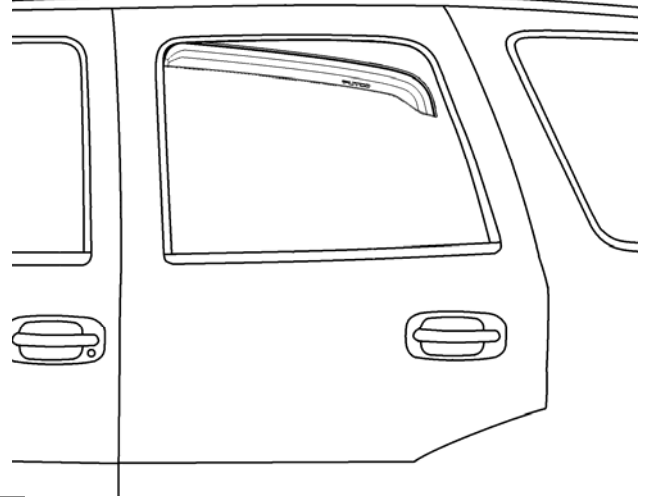


Passenger Side - Rear

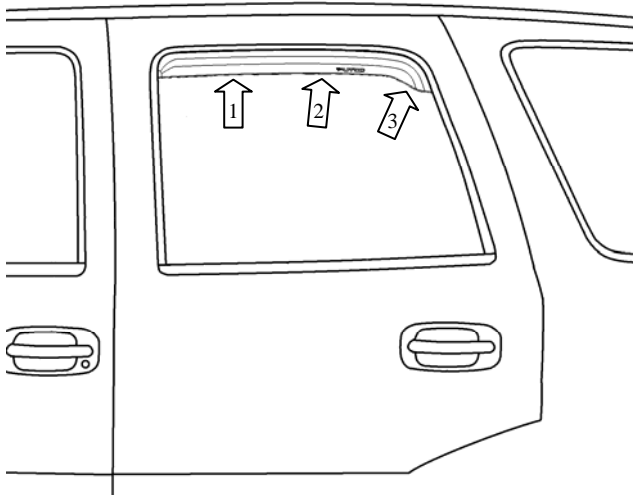
**B**



**1**



**2**



**3**

**4**