

INSTALLATION INSTRUCTIONS

MSD HVC-2 Coil PN 8261

ONLINE PRODUCT REGISTRATION: Register your MSD product online. Registering your product will help if there is ever a warranty issue with your product and helps the MSD R&D team create new products that you ask for! Go to www.msperformance.com/registration.

Parts Included

- 1 - HVC-2 Coil
- 4 - Vibration Mounts and Hardware
- 2 - Brass Lock Washers
- 2 - Ring Lug Terminals
- 2 - Brass Screws

WARNING: Disconnect the battery during installation. When disconnecting the battery, always remove the negative cable first and install it last.

The HVC-2 Coil is designed to be used with an MSD 7, 8 or 10 Series Ignition Control **only**. It is recommended to use 14-Gauge wiring for the primary coil wiring.

INSTALLATION

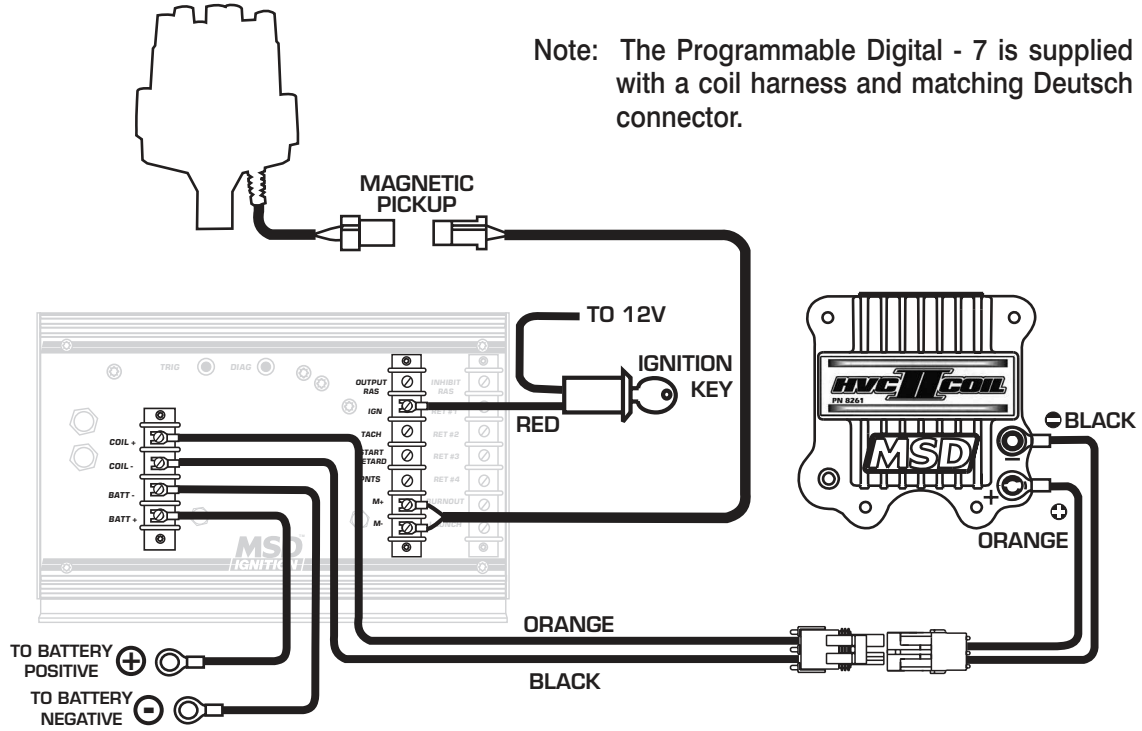
1. The Coil can be mounted in any position, but should be away from direct heat sources. Use the Coil as a template and mark the location of the mounting holes. Use an 3/16" bit to drill the holes.
2. Install the supplied vibration mounts to the coil and install the coil.
3. The MSD Orange wire connects to coil positive (+). Black connects to coil negative (-).

Note: It is recommended to use 14-Gauge wiring for the primary coil wiring.

4. Connect the coil secondary wire to the coil and distributor cap.

WARNING: Very high voltages are present at the coil when the engine is running. Never connect any test equipment or touch the coil while the engine is cranking or running.

Note: The Programmable Digital - 7 is supplied with a coil harness and matching Deutsch connector.



WARNING: Very high voltages are present at the coil when the engine is running. Never connect any test equipment or touch the coil while the engine is cranking or running.

Wiring to an MSD 7AL-3

MOUNTING TEMPLATE

CAUTION: Due to some printer settings, it is recommended to compare the document to the actual part dimensions before drilling holes! If the printed document does not match the actual part dimensions, correct the printer scaling settings and print again.

