

# MSD INSTALLATION INSTRUCTIONS

## MSD Blaster SS Coil PN 8207, PN 82073

**ONLINE PRODUCT REGISTRATION:** Register your MSD product online. Registering your product will help if there is ever a warranty issue with your product and helps the MSD R&D team create new products that you ask for! Go to [www.msperformance.com/registration](http://www.msperformance.com/registration).

**IMPORTANT:** Read instructions before attempting the installation.

**Parts Included:**

1 - Blaster SS Coil  
3 - Vibration Mounts and Hardware  
2 - Male Faston Connectors

1 - 90° MSD Spark Plug Boot  
1 - 90° Dual Crimp Terminal

**WARNING:** During installation, disconnect the battery cables. When disconnecting the battery, always remove the Negative cable first and install it last.

**Note:** If installing the Blaster SS Coil to a points distributor or a non-current limiting ignition system without an MSD Ignition, a 0.8 ohm ballast resistor is required (MSD PN 8214). The resistor should wire in series along with any factory resistors on the positive coil wire.

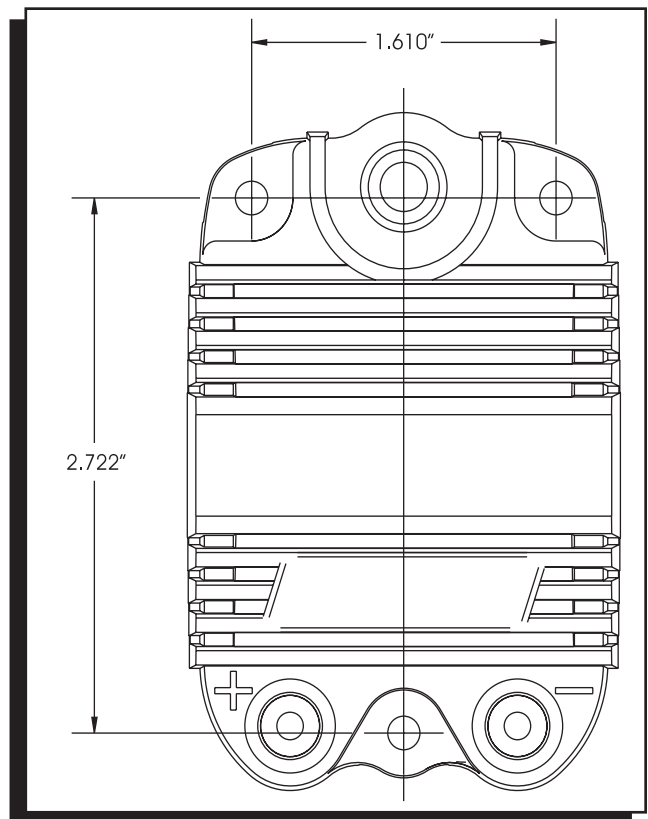
1. Find a suitable mounting location for the coil. It can be mounted in any position as long as it is away from direct engine heat sources.
2. Use the coil as a template and mark the mounting holes using a punch.
3. Using a 3/16" drill bit, drill the three holes to mount the coil.
4. Install the vibration mounts and mount the coil.
5. Install the Faston connectors to the coil terminals. Connect the coil wires from the MSD or stock ignition and the secondary coil wire.

### MSD 6 or 7 Series Ignition Control

The Orange wire connects to the coil positive terminal and the Black connects to the coil negative terminal. These are the only two wires that connect to the coil terminals.

### MSD 5 or Blaster Ignition

The Red wire connects to coil positive and the Orange connects to coil negative.



**Figure 1 Mounting Template.**

**WARNING:** The Blaster SS and MSD Ignition Controls produce very high voltages. Never short the battery or coil terminals. Use caution during installation and while working near the ignition or coil.

## CRIMPING

If you need to change your coil wire to match the terminal of the Blaster SS, you will need to carefully strip your wire and follow the steps to properly crimp the MSD Dual Crimp Terminal (Figure 2).

1. Carefully strip about 3/8" of your coil wire's sleeve. Use extreme care not to touch the conductor.
2. Crimp the spark plug wire into the large tabs using needlenose pliers. Do not over-crimp or cause the sleeve to tear.
3. Position the conductor between the smaller crimp tabs then crimp the tabs over the conductor using the needlenose pliers. It is recommended to check the resistance of the finished wire to confirm that the wire crimp is in good condition.

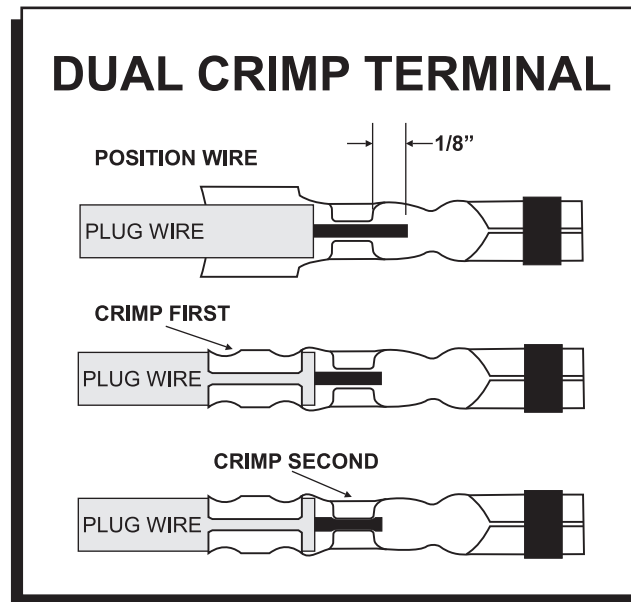


Figure 2 Crimping a Dual Crimp Terminal.

## Service

In case of malfunction, this MSD component will be repaired free of charge according to the terms of the warranty. When returning MSD components for warranty service, **Proof of Purchase** must be supplied for verification. After the warranty period has expired, repair service is based on a minimum and maximum fee.

**All returns must have a Return Material Authorization (RMA) number** issued to them before being returned. To obtain an RMA number please contact MSD Customer Service at 1 (888) MSD-7859 or visit our website at [www.msdpower.com/rma](http://www.msdpower.com/rma) to automatically obtain a number and shipping information.

When returning the unit for repair, leave all wires at the length in which you have them installed. Be sure to include a detailed account of any problems experienced, and what components and accessories are installed on the vehicle. The repaired unit will be returned as soon as possible using Ground shipping methods (ground shipping is covered by warranty). For more information, call MSD at (915) 855-7123. MSD technicians are available from 7:00 a.m. to 5:00 p.m. Monday - Friday (mountain time).

## Limited Warranty

MSD warrants this product to be free from defects in material and workmanship under its intended normal use\*, when properly installed and purchased from an authorized MSD dealer, for a period of one year from the date of the original purchase. This warranty is void for any products purchased through auction websites. If found to be defective as mentioned above, it will be repaired or replaced at the option of MSD. Any item that is covered under this warranty will be returned free of charge using Ground shipping methods.

This shall constitute the sole remedy of the purchaser and the sole liability of MSD. To the extent permitted by law, the foregoing is exclusive and in lieu of all other warranties or representation whether expressed or implied, including any implied warranty of merchantability or fitness. In no event shall MSD or its suppliers be liable for special or consequential damages.

\*Intended normal use means that this item is being used as was originally intended and for the original application as sold by MSD. Any modifications to this item or if it is used on an application other than what MSD markets the product, the warranty will be void. It is the sole responsibility of the customer to determine that this item will work for the application they are intending. MSD will accept no liability for custom applications.