



PART NO. 55000/55001/55100/55101

UNIVERSAL MUD FLAP INSTALLATION INSTRUCTIONS

Please read instructions thoroughly before installation.

Tools Required:

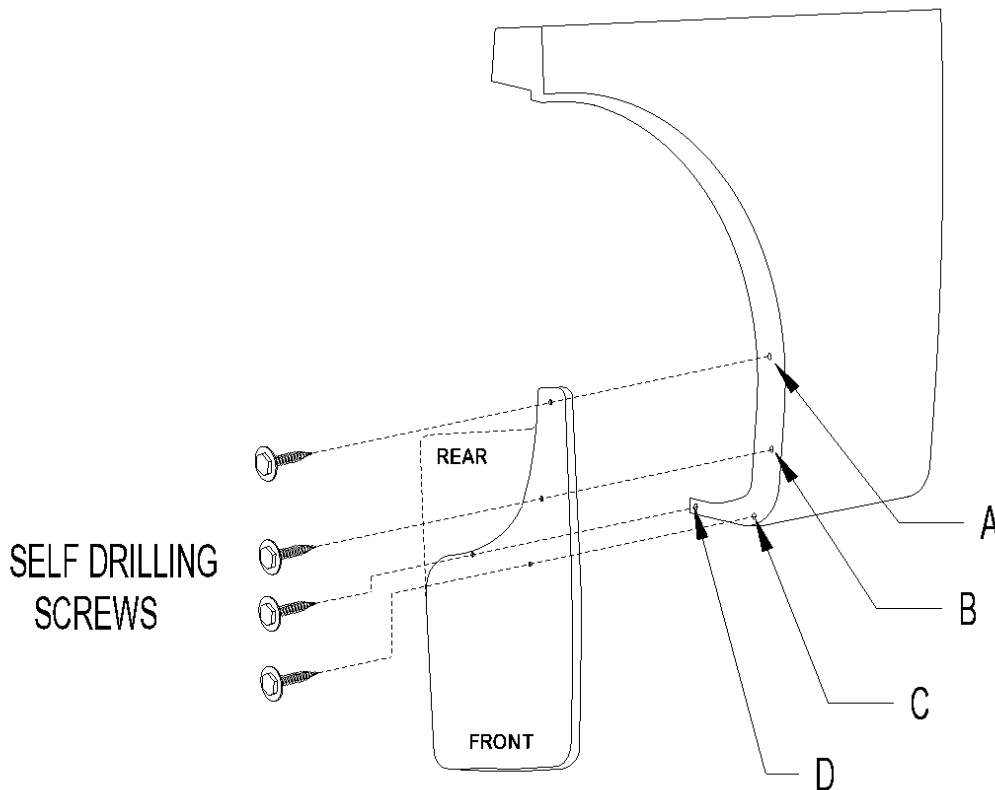
- 5/16" Socket / Driver
- Marking utensil (fine tip marker, grease pencil, etc.)

Package Contents

- Driver & passenger side mud flap
- Self-Drilling Screws (qty. 8)
- SS Washers
- Instruction sheet

NOTE: It may be necessary to remove the wheels depending on the tools being used for installation.

1. Clean and degrease the mud flap location areas on the fenders before installation. Determine if existing factory fasteners and/or holes in the fenders can be used to mount the mud flaps to the fenders. You may still need to drill some holes to completely install your mud flaps. Existing factory fasteners and holes should be used wherever possible.
2. **If existing factory fastener(s) can be used to attach the mud guards:** Remove fastener(s), align mud flap and make sure it is level with the ground, mark factory hole location(s) on mud flap, drill 1/4" hole through the mud flap and attach mud flap to fenders with factory fasteners.
3. **If some or all holes need to be drilled into fender:** Align mud flap and make sure mud flap is level to ground. With mud flap in place, attach mud flap with the supplied self-drilling screws and washers. Space mounting holes evenly to insure maximum support of mud flap.



View the Husky Liners® Lifetime Warranty at www.huskyliners.com/lifetime-warranty.
Patent and Trademark can be found at www.hl-ip.com