



## Installation Instructions

2003-2012 DODGE 1500  
2003-2015 DODGE 2500-3500  
Product Number: HR2002

# SAFETY

### Your safety and the safety of others is very important.

- In order to help you make informed decisions about safety, we have provided installation instructions and other information.
- These instructions alert you to potential hazards that could hurt you or others.
- Please do a job safety analysis (JSA) before each task to identify potential hazards for your situation and remove/protect against them.
- You must use your own good judgment, and take your time.

**Read and understand all safety precautions and instructions before installing this product.**

THIS PRODUCT IS FOR OFFROAD USE ONLY. ALL LIABILITY FOR INSTALLATION AND USE RESTS WITH THE OWNER.

**CARELESS INSTALLATION AND OPERATION CAN RESULT IN SERIOUS INJURY OR EQUIPMENT DAMAGE.**

## Injury hazard

### Failure to observe these instructions could lead to severe injury or death.

- Always** remove jewelry and wear eye protection.
- Always** use extreme caution when jacking up a vehicle for work. Set emergency brake and use tire blocks. Locate and use the vehicle manufacturers designated lifting points. Use jack stands.
- Always** use appropriate and adequate care in lifting components into place.
- Always** insure components will remain secure during installation and operation.
- Always** wear safety glasses when installing this kit. A drilling operation will cause flying metal chips. Flying chips can cause serious eye injury.
- Always** use extreme caution when drilling on a vehicle. Thoroughly inspect the area to be drilled (on both sides of material) prior to drilling, and relocate any objects that may be damaged.
- Always** use extreme caution when cutting and trimming during fitting.
- Always** tighten all nuts and bolts securely per installation instructions.
- Always** route electrical cables carefully. Avoid moving parts, components that become hot and rough or sharp edges.
- Always** insulate and protect all exposed wiring and electrical terminals.
- Always** perform regular inspections and maintenance on mounts and related hardware.



# Installation Instructions

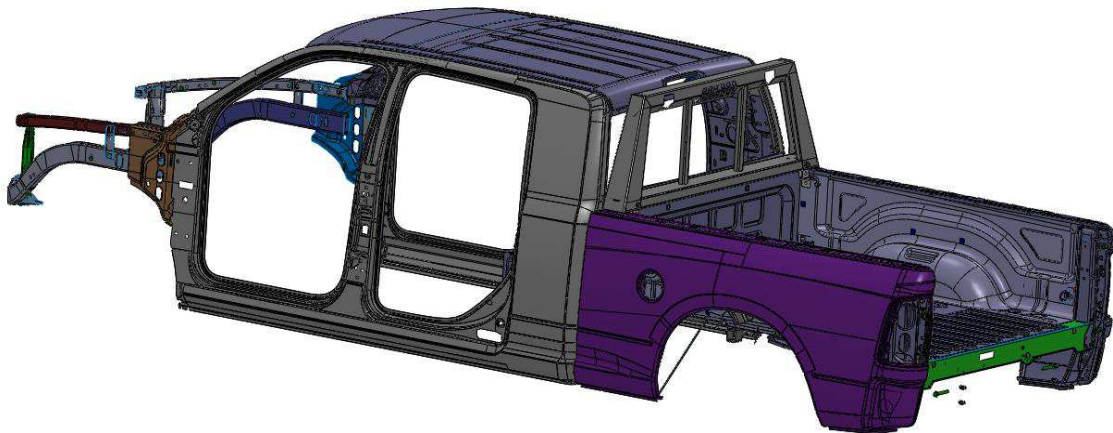
2003-2012 DODGE 1500  
2003-2015 DODGE 2500-3500  
Product Number: HR2002

## I. Overview

Congratulations on your new purchase of the industries' best and most stylish Headache Rack available for the Dodge Ram Pickup! This Rack has been **engineered** for strength.

Your bumper was designed in 3-D from digitized data, CNC laser cut, fabricated, and powder coated... all in the U.S.A.

Enjoy the fit and finish of a quality Headache Rack from Fab Fours Inc.





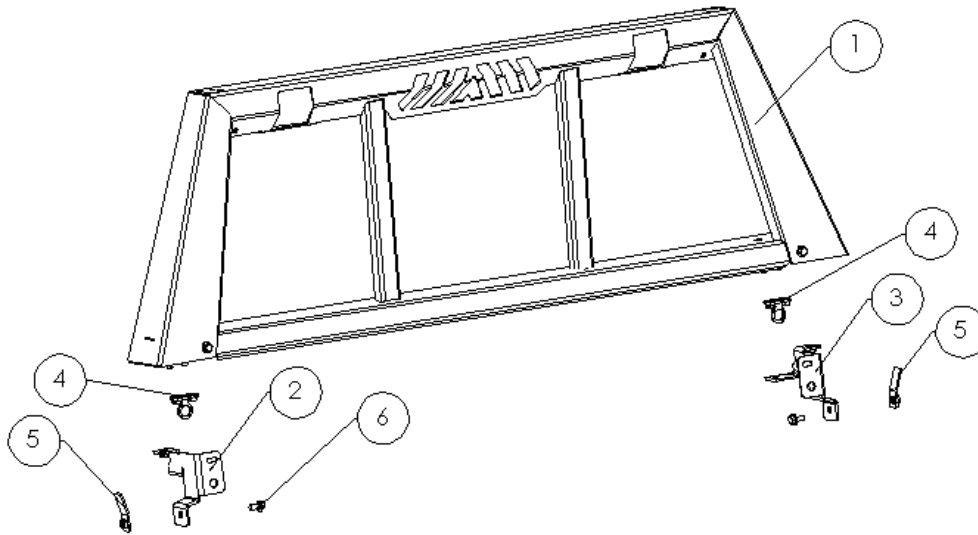
# Installation Instructions

2003-2012 DODGE 1500  
 2003-2015 DODGE 2500-3500  
 Product Number: HR2002

## II. Tools Required

- 11/16", 5/8" Wrenches
- 11/16", 5/8" Sockets and Drivers
- 1/2" Drill Bit

## III. Kit Contents



ITEM NO.	PART NUMBER	DESCRIPTION	QTY.
1	HR2000-B	2007-2012 CHEVY/GMC 1/2 Ton & HD Headache Rack	1
2	20527	HR20021 DR MOUNT	1
3	20528	HR20021 PS MOUNT	1
4	20524	HA RACK BULKHEAD NUT TAB	2
5	20523	7/16-14 Bent Nut Tab	2
6	HR20051-HW	HR20051 Hardware Kit	1
6.1	Preferred Narrow FW 0.4375		12
6.2	Regular LW 0.4375		2
6.3	HNUT 0.4375-14-D-N		2
6.4	HBOLT 0.4375-14x1x1-N		10

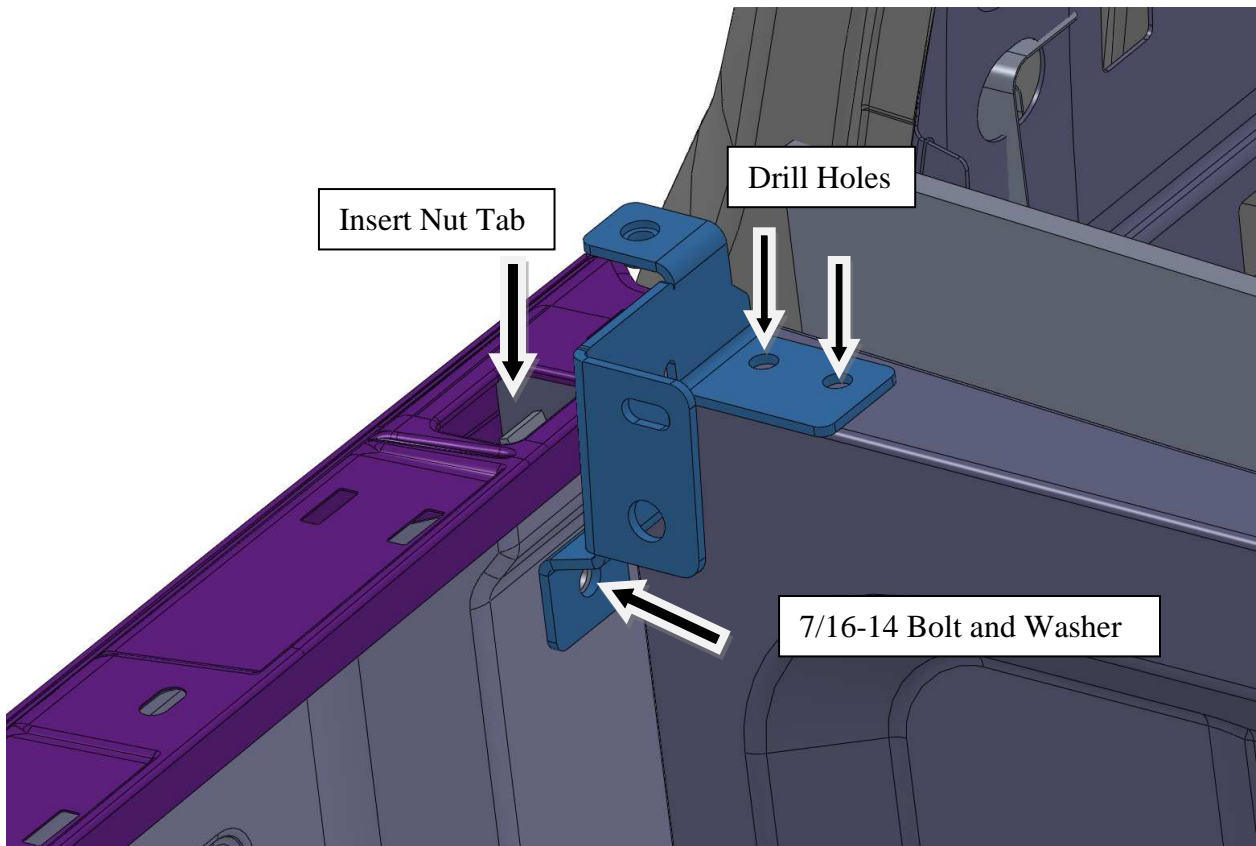


## Installation Instructions

2003-2012 DODGE 1500  
2003-2015 DODGE 2500-3500  
Product Number: HR2002

### IV. Installation

**A. Install the brackets to the bed as shown below. Place the Nut Tab inside hole in the top of the bed rail and insert supplied 7/16" Hardware.**



**B. With Bracket installed to the bedsides drill the holes into the top of the bulkhead with a 1/2" Drill Bit. Install supplied 7/16" Hardware using the Double Nut Tab using your finger in the loop to align it through the gap between the bed and the cab.**



## Installation Instructions

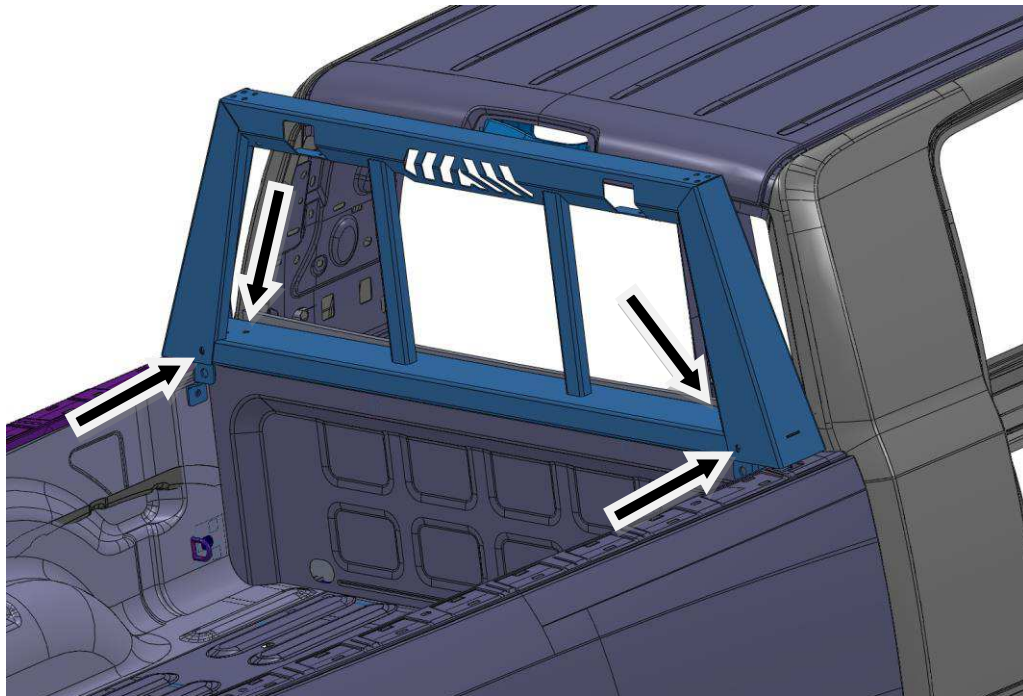
2003-2012 DODGE 1500

2003-2015 DODGE 2500-3500

Product Number: HR2002

**C. Complete Steps A. and B. for Both Sides.**

**D. Install the Rack over the top off the Mounts. Attach with Remaining 7/16" Hardware.**





## Installation Instructions

2003-2012 DODGE 1500  
2003-2015 DODGE 2500-3500  
Product Number: HR2002

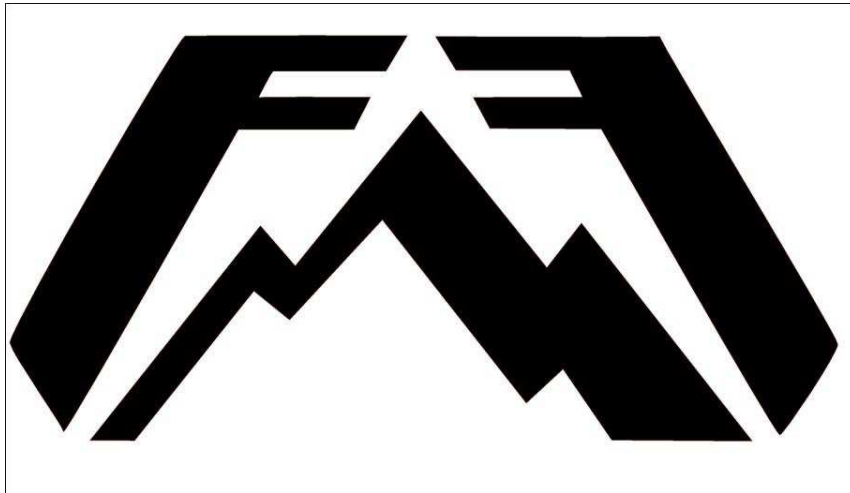
### V. Maintenance/Care

- Periodically check and tighten all nuts.
- Stripped, fractured, or bent bolts or nuts need to be replaced.
- Periodically grease the tire carrier pivot, if installed.
- Periodically check the tension of the latch hook, if Tire Carrier is Installed.

### VI. Contact Information

Fab Fours Inc.  
1312 Camp Creek Rd.  
Lancaster, SC 29720

Phone (866)-385-1905  
Fax (866)-574-1424  
Email [Support@fabfours.com](mailto:Support@fabfours.com)



**More than expected... Better than expected**