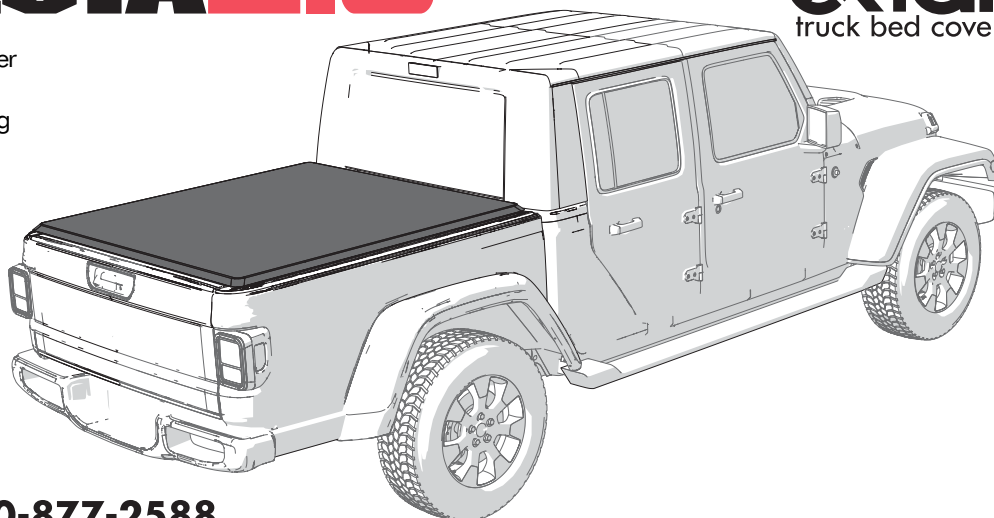


INSTALLATION SHEET

TRIFECTA 2.0

extang
truck bed covers

The Trifecta 2.0 truck bed cover comes fully assembled.
Note any damaged or missing components before installing.



MISSING PARTS???

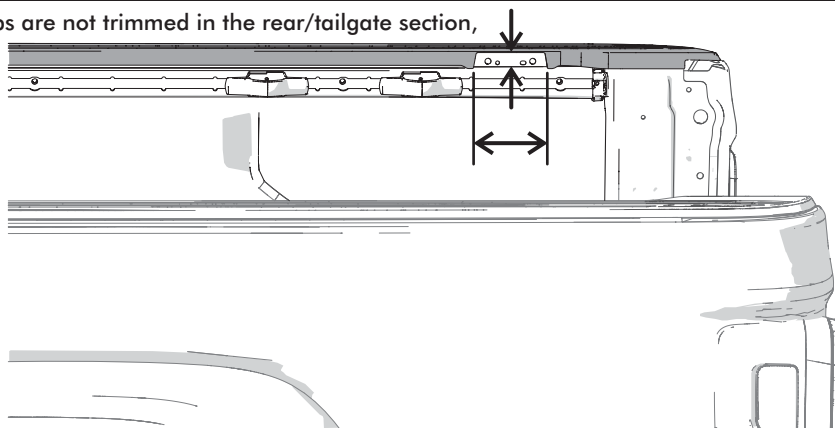
call Extang at **1-800-877-2588**

Any required parts will be shipped to you directly. (DO NOT return whole kit to store)

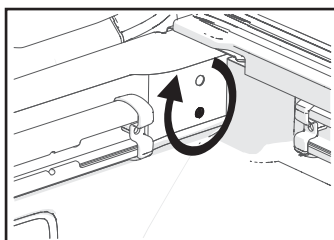
1 It is important that all areas where the bed cover mounts are clean and free of debris prior to installing.



2 If the bed rail caps are not trimmed in the rear/tailgate section, cut using the scribed lines to expose the area shown.

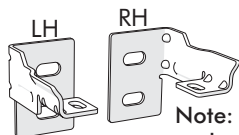


3 Front/ Cab Brackets, insert the cab bracket screw (1) through the cab bracket washer (2) then through the upper hole of the cab bracket (3). Slide a second washer (2) on the screw on the backside of the bracket and thread into the well nut (4).

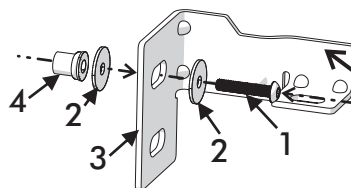


NOTE:
For vehicles with a sprayed on bed liner, the threaded area in the bulkhead must be cleared of liner material.

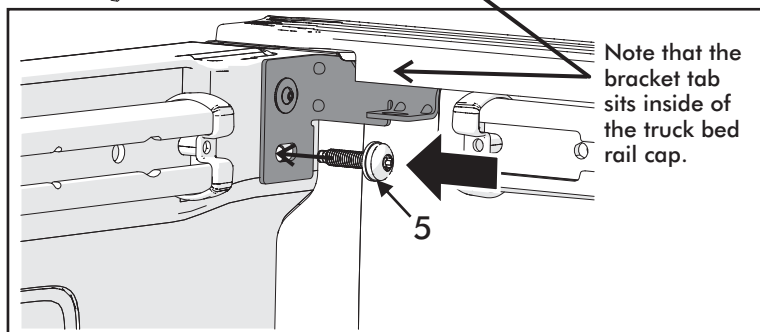
Use the well nut as a guide to insert the cab bracket into the bulkhead wall. Thread the cab bracket bolt (5) through the bracket and into the bulkhead. Snug the well nut, tighten the bolt to **17.5 N-m (155 in-lb)**.



Note: There is a RH (passenger) side bracket and a LH (driver) side bracket.



Note:
Assemble the screw, washers and well nut just until contact is made, do not tighten the well nut.



Note that the bracket tab sits inside of the truck bed rail cap.

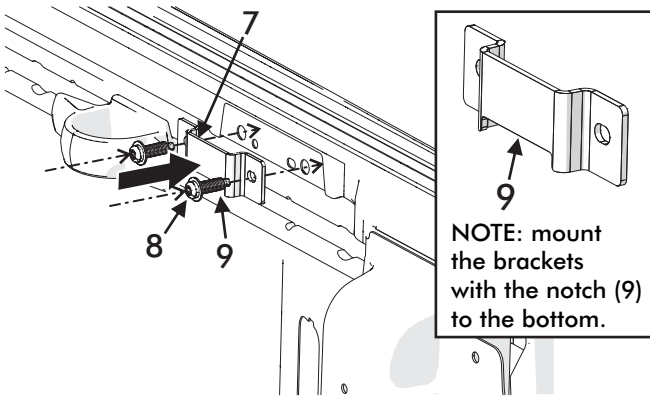
Extang Corporation
5400 S. State Road
Ann Arbor, MI 48108
734-677-0444, Fax: 734-677-8409



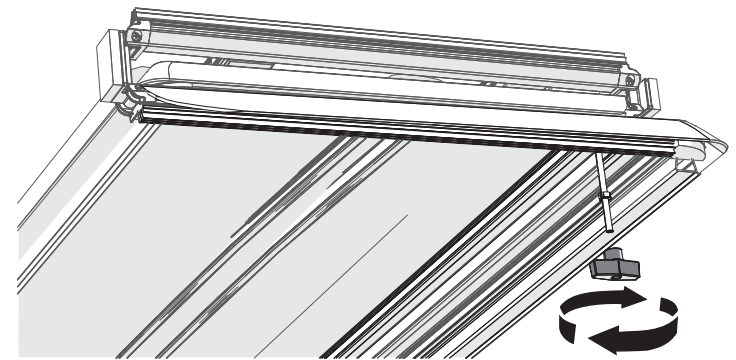
TRUCK HERO
company

Item No. 31920930-30 6.3.19
© Extang, Corp., 2019. Printed in USA

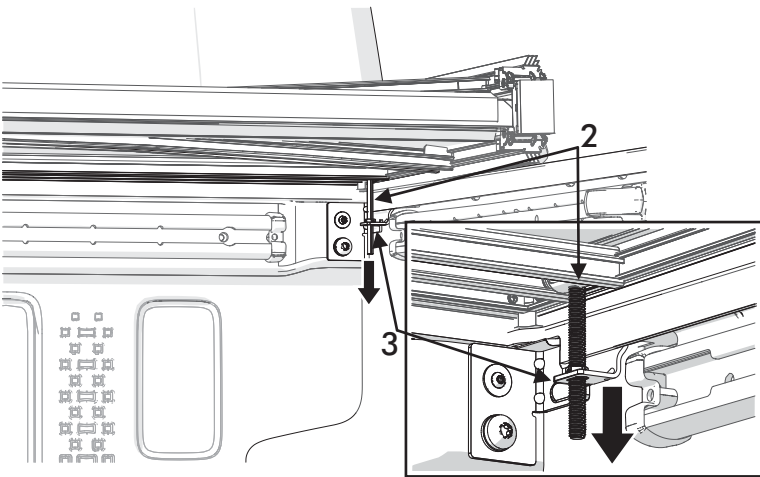
- 4** Rear/tailgate Brackets. Attach the rear/tailgate brackets (7) to the bed rail through the bed rail holes using the rear bracket bolts (8). Tighten to **8 N-m (71 in-lb)**.



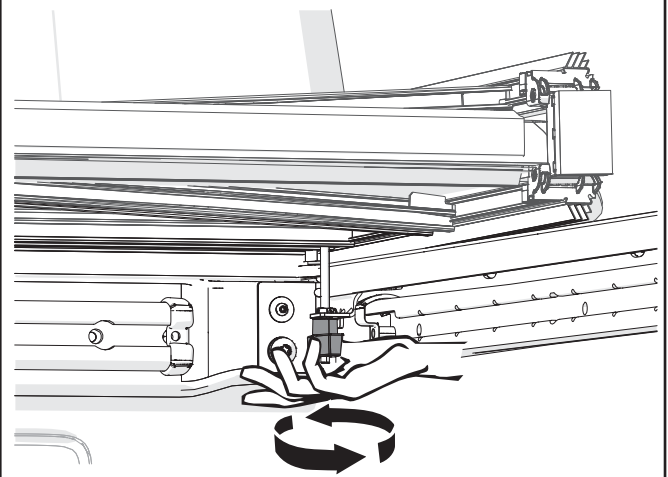
- 5** Prior to placing the cover, remove both front clamp knobs.



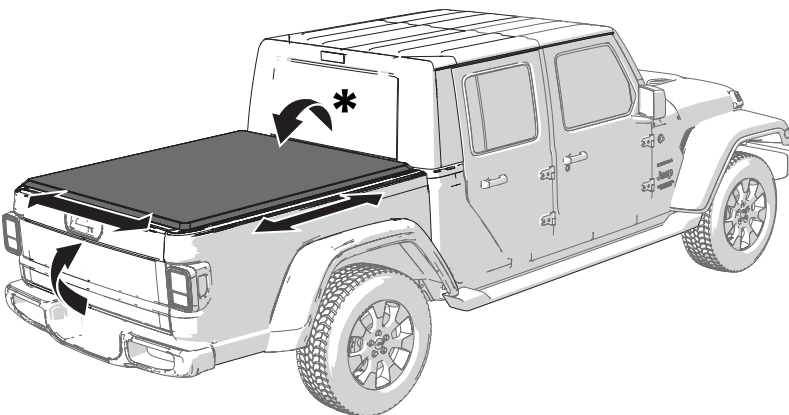
- 6** Place the cover onto the truck bulkhead and bed rails, making sure to slide the cab clamp threaded rods (2) through the cab clamp brackets (3). Align both sides.



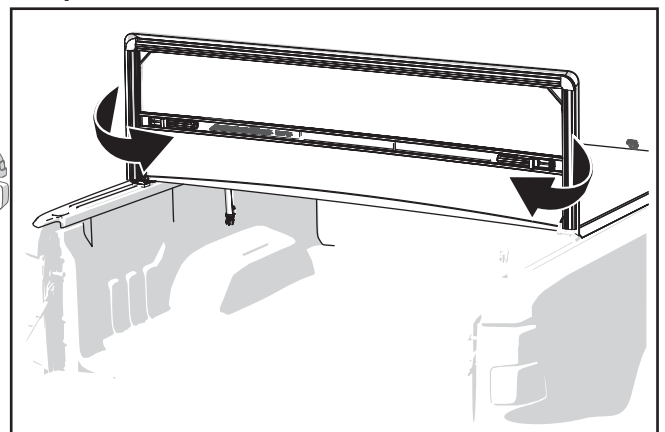
- 7** Thread the cab clamp knobs back onto the threaded rods. **Do Not use a wrench or over-tighten.** Securely tighten both sides.



- 8** Close the tailgate and unfold the cover. Check that the cover is parallel and square with the truck bed and bed rails. If not parallel or square, open the cover and loosen the cab clamps to reposition the cover.

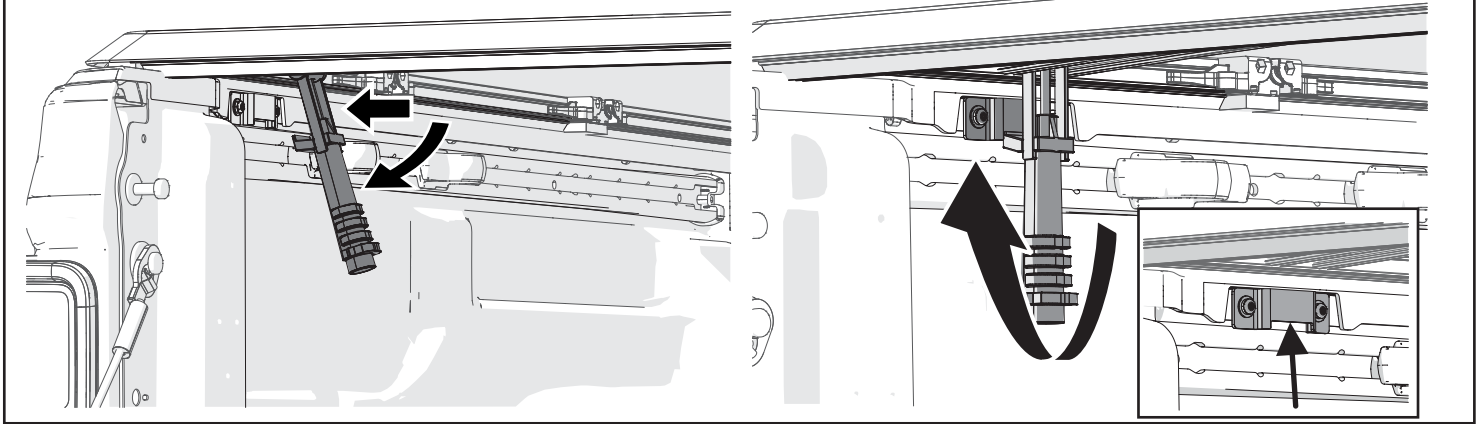


- * NOTE: When opening the cover, be sure to stow the tailgate clamps into the cover bow to prevent damage to the tarp when folded.**



9 Open the tailgate, swing the tail clamps down from the stowed position and slide them toward the truck bed rail. Swing the clamps and pull down so the clamp jaw is tucked under the rear truck bed rail bracket.

NOTE: the clamp jaw fits up into the bracket notch.

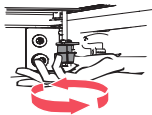
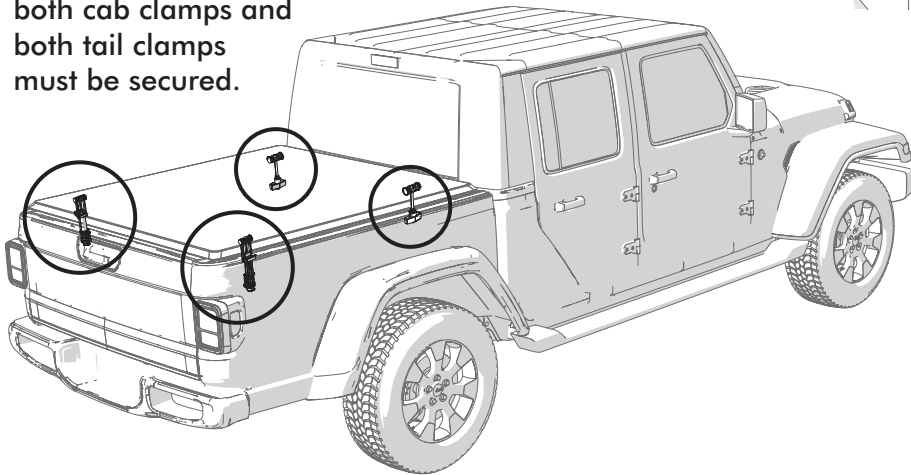


DRIVING WITH THE BED COVER

For driving with the cover open, both cab clamps must be secured, and both straps must be latched.



When driving with the cover closed, both cab clamps and both tail clamps must be secured.



IMPORTANT

Re-tighten the front / cab clamps after the first week of driving the vehicle. Also periodically check the clamps to ensure they are secure.



Remove any snow or foreign matter before folding



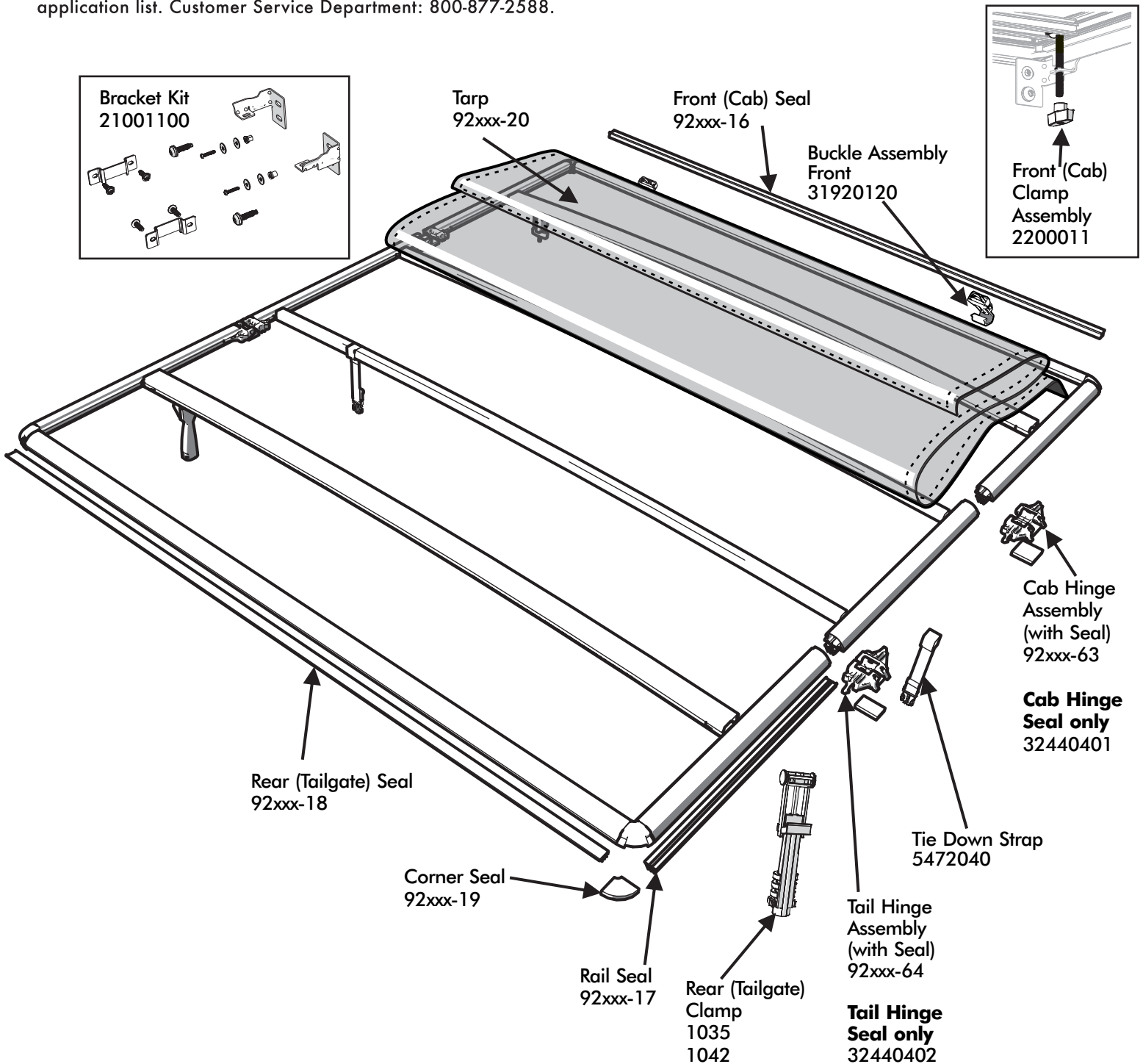
IMPORTANT NOTICE

While driving, cover must be completely flat and secure with all four clamps in the closed position or completely folded up (all panels) and secured at the cab. **DO NOT DRIVE** with cover in partially opened position.

Do NOT tow your vehicle from the rear with any Extang bed cover on your truck



NOTE: To order replacement parts, it's best to contact our Customer Service Department for assistance, to ensure getting the correct part for your vehicle application. When ordering, xxx represents the 3-digit suffix, as referenced on the sales receipt or vehicle application list. Customer Service Department: 800-877-2588.



Specify: Year, Make, Model, bed length, Driver or Passenger side.
Call Customer Service if frame or bow sections are required.

MAXIMUM STRENGTH WARRANTY

LIFETIME FRAME & TARP

MAXIMUM STRENGTH WARRANTY LIFETIME FRAME & TARP

FOR THE FOLLOWING TRUCK BED COVERS: REVOLUTION, EXPRESS, TRIFECTA, TRIFECTA 2.0 & EMAX

WARRANTY DURATION

Lifetime Frame – Extang offers a LIFETIME warranty against defective materials or workmanship on the Trifecta 2.0, Trifecta, eMAX, Revolution and Express rails, aluminum components, clamps, bows, hardware.

Lifetime Tarp – Extang offers a LIFETIME warranty against defective materials or workmanship on the Trifecta 2.0, Trifecta, eMAX, Revolution and Express vinyl covering. The warranty applies to the original consumer /purchaser. Warranty registration must be on file and/or proof of original purchase (detailed and dated receipt) required for warranty to be effective. Warranty coverage starts from the date of purchase.

WARRANTY CONDITIONS

This warranty is against defective materials or workmanship. The warranty is void if the product has been damaged by accident, unreasonable use, neglect, improper service/installation/removal, modifications, normal wear and tear or other causes not arising out of defective materials or workmanship. Interference with this product with other installed accessories or trailers is not covered. Consequential and incidental damages are not covered under this warranty.

THE FOLLOWING CONDITIONS WILL ALSO VOID THE WARRANTY

■ **Wind whip damage** - Tarps must be secured at all points when vehicle is in motion. An unsecured tarp will flap, resulting in damage to the fabric.

■ **Improper cleaning** - It is recommended to use the tested and approved Extang Tonno Tonic™ or clean with soap and water only. Do not use vinyl conditioners (i.e. Armor All®) because they will shrink the vinyl.

■ **Overloading of cargo** - Cargo should not touch the tonneau's tarp at any point. Protrusions in the tarp will stress the fabric. Cargo may shift while traveling and cause it to push against the tarp fabric and damage it.

■ Do NOT tow your vehicle from the rear with any Extang tonneau cover on your truck.



PERFORMANCE

Provided all warranty conditions are met Extang will either repair or replace (at Extang's option) the product or component. Extang may require the original item to be returned postage prepaid for final determination. Extang reserves the right to substitute and offer the respective warranty discount on an entire replacement system or provide other remedies than those listed in this warranty for discontinued products or other reasons. A return authorization number must be obtained from our customer service department prior to returning any product. Shipping charges will apply for any repair or replacement. This warranty gives you specific legal rights and you may also have other legal rights which vary from state to state.

REPLACEMENT PARTS

Every truck bed cover is specifically designed to fit your truck. Please contact Extang customer service at 800-877-2588 or email us at info@extang.com to have a specialist assist you with the correct part for your Extang truck bed cover.

TRIFECTA 2.0



TRIFECTA



e-MAX TONNO



Revolution TONNO



EXPRESS TONNO



HELPFUL ACCESSORIES

e-LIGHT 500



The e-LIGHT 500 is an all-new revolutionary lighting system that fully illuminates the entire bed of your truck with ease. Universal in nature, the e-LIGHT 500 has been designed to work from any location inside the truck bed, and can be recharged on the go.

TONNO TONIC



The industry's first powerful UV protectant specifically formulated for vinyl truck bed covers, Tonno Tonic beautifies, cleans and protects all in one easy step.

MAXSEAL TAILGATE SEAL



The MaxSeal Tailgate Seal creates a tight seal along sides and bottom of your tailgate to keep out dust, rain and snow. Quick and easy to install: just cut, peel and stick.

SOMETHING DAMAGED? MISSING PARTS?

CALL US FIRST

800-877-2588

WE CAN HELP YOU QUICKLY AND EASILY OVER THE PHONE

RAPID RESPONSE

OVERNIGHT DELIVERY

Experienced Customer Service staff are available to answer all your truck bed cover questions

CUSTOMER SERVICE
8:30 TO 5 EST,
MONDAY - FRIDAY



Tonno Model: _____

Purchase Date: _____

Lot Code: _____

Lot code can be found on underside of cover.