

INSTALLATION SHEET

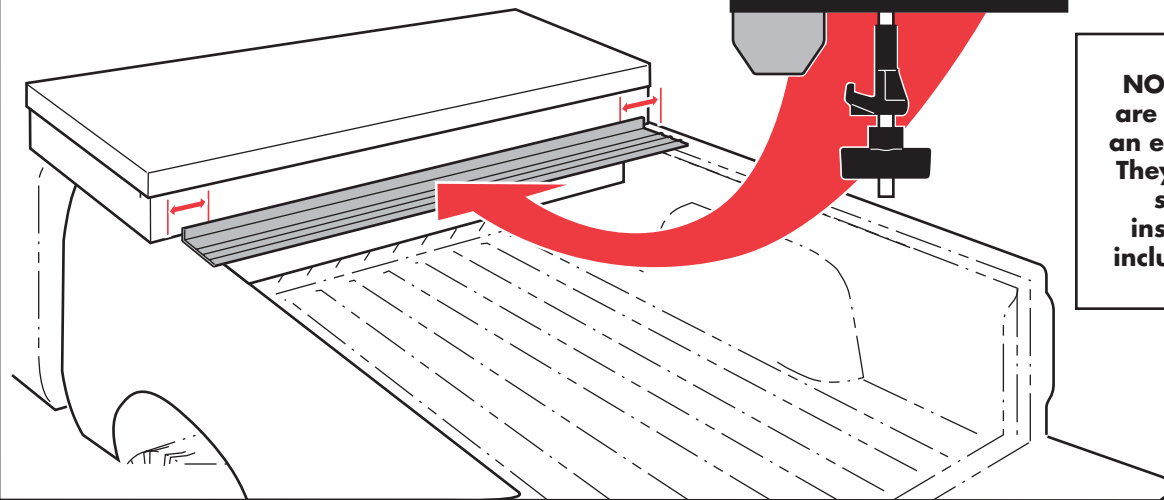
TOOL BOX TONNO

SOLID FOLD

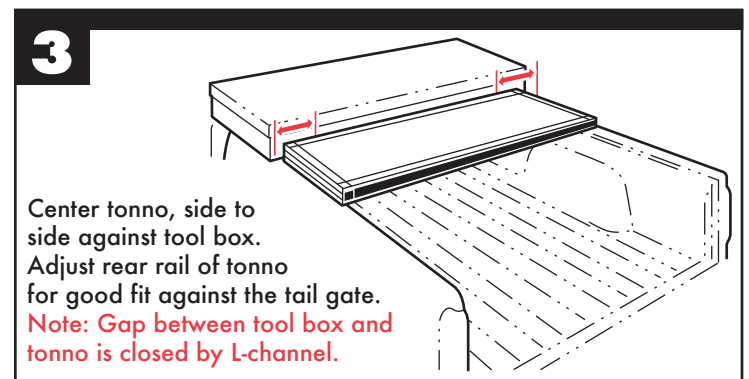
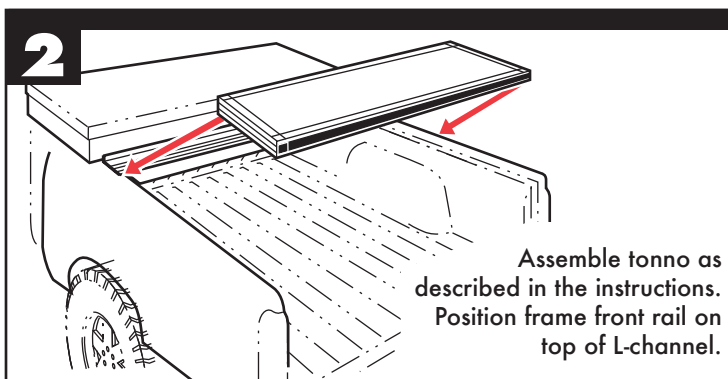
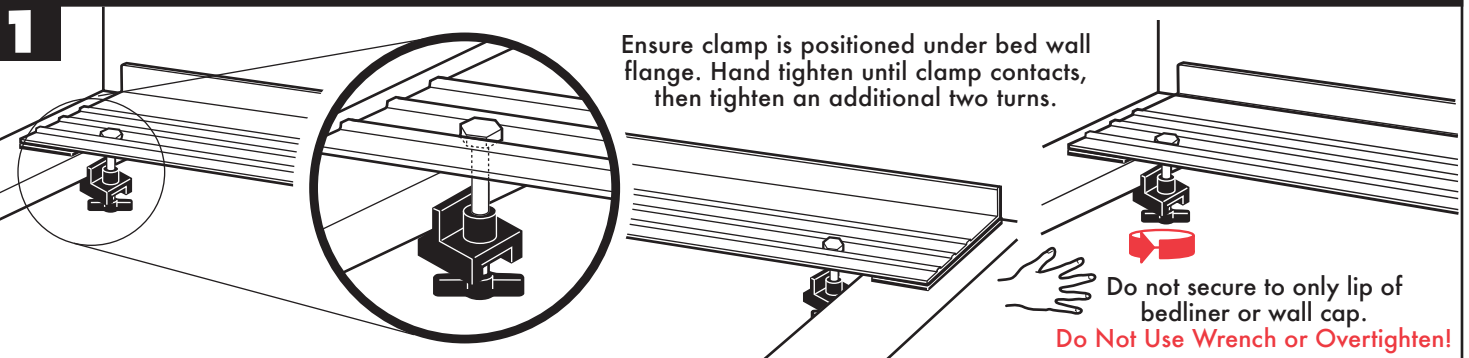
TRIFECTA™

extang
AMERICA'S BEST
SELLING TONNEAUS

Place L-channel against tool box with foam seal between the bottom of the L-channel and truck bed. Center L-channel side-to-side on truck bed sides.



NOTE: These instructions are for adding a tonno to an existing truck tool box. They are supplemental to steps in the regular installation instructions included with your tonno.



Extang Corporation
5400 S. State Rd.
Ann Arbor MI 48108
734-677-0444, Fax: 734-677-8409

Register your warranty at:

extang.com

Item No. 0330-1403 RH Printed in U.S.A.