

# INSTALLATION INSTRUCTIONS

VEHICLE	HITCH NO.
TOYOTA TACOMA	75078

EQUIPMENT REQUIRED:

WIRING ACCESS LOCATION: PU1, PU2

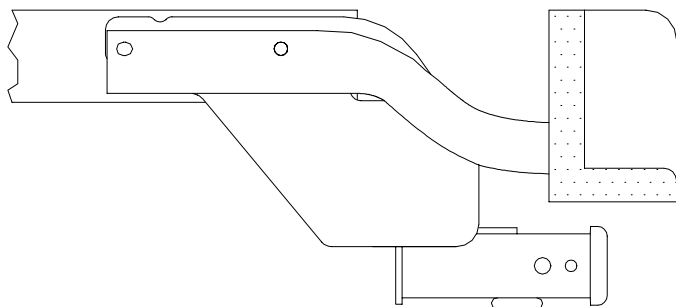
DRILL BITS:

HITCH REQUIRES 5/8" PIN AND CLIP IF STABILIZING PIN IS NOT INSTALLED.

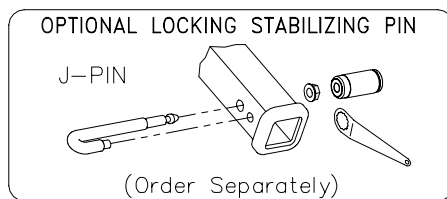
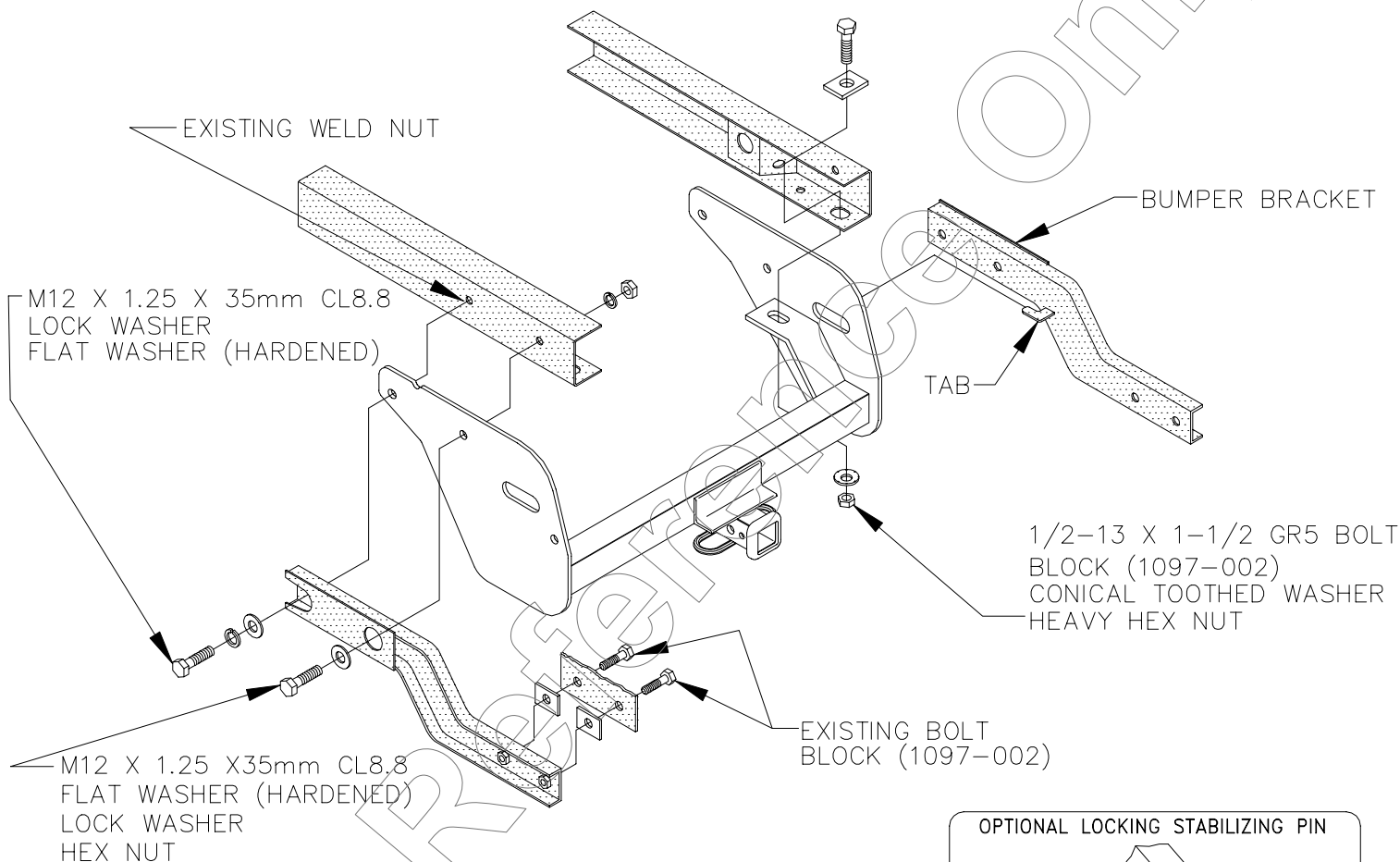
WRENCHES: (TIGHTEN ALL FASTENERS WITH TORQUE WRENCH) 18mm, 19mm, 3/4, 7/8

DO NOT EXCEED LOWER OF TOWING VEHICLE MFR'S RATINGS OR

HITCH TYPE ▼	MAX GROSS TRLR WT(LB)	MAX TONGUE WT(LB)
WEIGHT DISTRIBUTING	5500	550
WEIGHT CARRYING BALL MOUNT	5000	500



HITCH SHOWN INSTALLED IN PROPER POSITION



1. DISCONNECT THE LICENSE PLATE LIGHT WIRING CONNECTION FROM BUMPER.
2. REMOVE THE TWO BOLTS MOUNTING BUMPER TO BUMPER BRACKETS EACH SIDE. REMOVE BUMPER FROM VEHICLE.
3. REMOVE BUMPER BRACKETS FROM FRAME RAILS, TWO BOLTS EACH SIDE.
4. POSITION RECEIVER ON FRAME AND INSTALL 1/2" BOLT AND BLOCK THROUGH REARMOST HOLE IN FRAME RAIL INTO ANGLE BRACKET AS SHOWN ABOVE.
5. REINSTALL BUMPER BRACKETS OVER RECEIVER SIDE BRACKET PLACING TAB THROUGH HOLE PROVIDED IN SIDE BRACKET.
6. REINSTALL BUMPER, PLACING BLOCKS BETWEEN BUMPER MOUNTS AND BUMPER BRACKETS. USING EXISTING FASTENERS REMOVED IN STEP 2. ADJUST BUMPER AND RECONNECT LICENSE PLATE WIRING CONNECTION.

TIGHTEN M12 CL8.8 FASTENERS TO 68 LB.-FT  
TIGHTEN 1/2-13 GR5 FASTENERS TO 75 LB.-FT

THIS PRODUCT COMPLIES WITH SAFETY SPECIFICATIONS AND REQUIREMENTS FOR CONNECTING DEVICES AND TOWING SYSTEMS OF THE STATE OF NEW YORK AND V.E.S.C. REGULATION V-5.

APPROX WEIGHT (LB.)	43	FASTENER KIT NO.	1130-931
---------------------	----	------------------	----------

NOTE: Check hitch frequently, making sure all fasteners and ball are properly tightened. If hitch is removed, plug all holes in trunk pan or other body panels to prevent entry of water and exhaust fumes. A hitch or ball which has been damaged should be removed and replaced. Observe safety precautions when working beneath a vehicle and wear eye protection. Follow car maker's specs for maximum trailer weight and tongue weight. Do not cut access or attachment holes with a torch.

