

Installation Instructions

GOOSENECK MOUNTING KIT

Dodge Ram 2500/3500 Heavy Duty

Short & Long Bed

All Megacabs

Part Numbers:

4435

Equipment Required:

Fastener Kit: 4435F

Wrenches: 3/4, 15/16

Drill Bits: 1/4"

Other Tools: Drill

WARNING: Under no circumstances do we recommend exceeding the towing vehicle manufacturers recommended vehicle towing capacity.

9464/9474 HIDE-A-GOOSE HITCH INSTALLATION

All Fasteners Typical, Both Sides

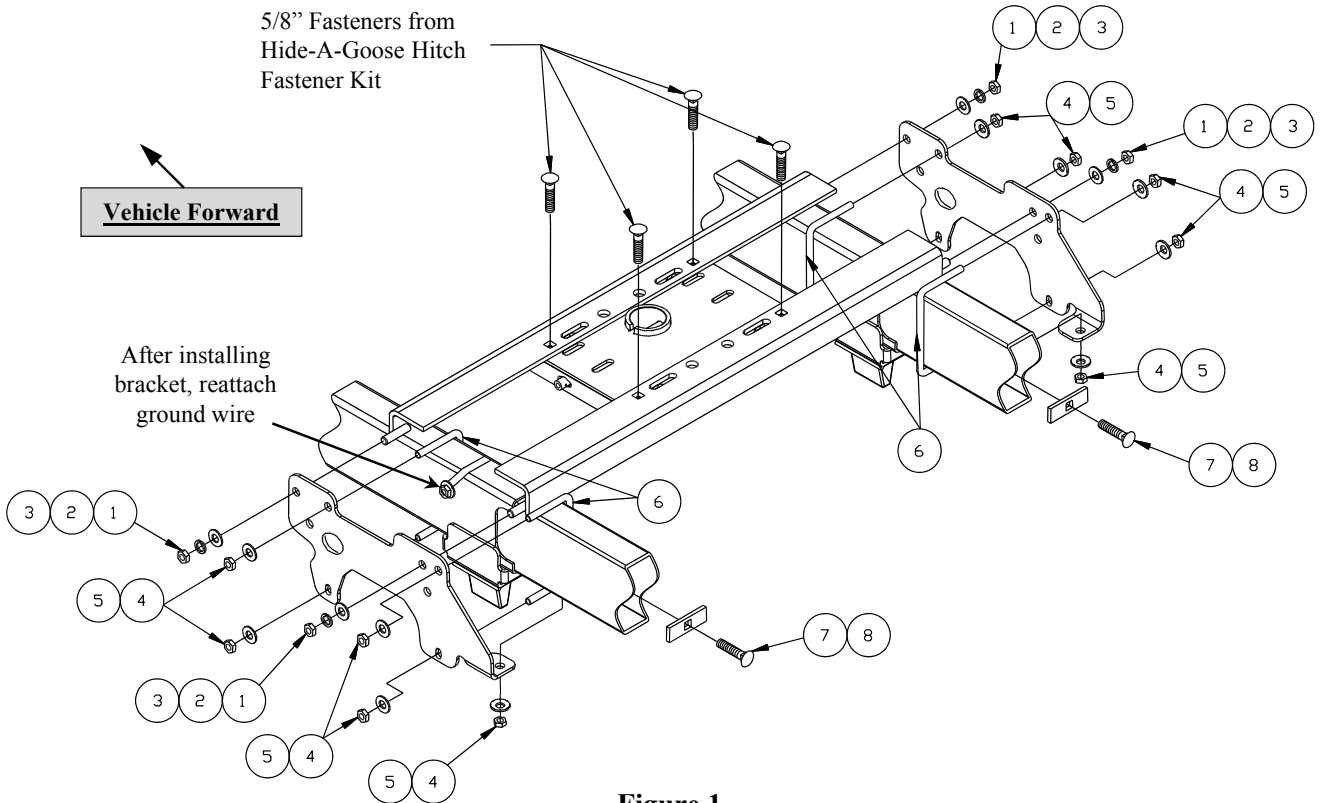


Figure 1

1	Qty. (4)	Hex Nut, 5/8"-11	6	Qty. (4)	U-Bolt, 1/2"
2	Qty. (4)	Lock Washer, 5/8"	7	Qty. (2)	Carriage Bolt, 1/2-13 GR5
3	Qty. (4)	Flat Washer, 5/8"	8	Qty. (2)	Block, 1/4" X 1.00 X 3.00
4	Qty. (10)	Hex Nut, 1/2"-13	9	Qty. (1)	Cable Tie (not shown)
5	Qty. (10)	Conical Toothed Washer, 1/2"	10	Qty. (4)	Shims, 1" x 2" (not shown)

Installation Instructions

Part Numbers:

GOOSENECK MOUNTING KIT

4435

Dodge Ram 2500/3500 Heavy Duty
Short & Long Bed, & All Megacabs

9464/9474 HIDE-A-GOOSE INSTALLATION

NOTES:

- This rail kit can be used with a 9464 or 9474 head only.
- Always make sure the ball is fully locked before towing.
- Keep the ball and ball sleeve well lubricated.
- Periodically re-torque all the hitch fasteners.
- Check ball, hitch coupler, safety chains and other connections for proper operation every time you tow.

Warning:

- ❖ The tow vehicle manufacturers recommended towing capacities should UNDER NO CIRCUMSTANCES be exceeded.
- ❖ Check for adequate clearance between the gooseneck trailer and the rear of the cab and the rear of the truck box before installing hitch.
- ❖ All trucks have fuel lines, brake lines and electrical wiring located along the vehicle frame where the rail kit installs. Carefully examine the location of fuel lines, brake lines and electrical wires before installation and be certain not to damage these when positioning the hitch components. Be careful when drilling holes, cutting sheet metal and tightening fasteners as to not limit the integrity of these systems.

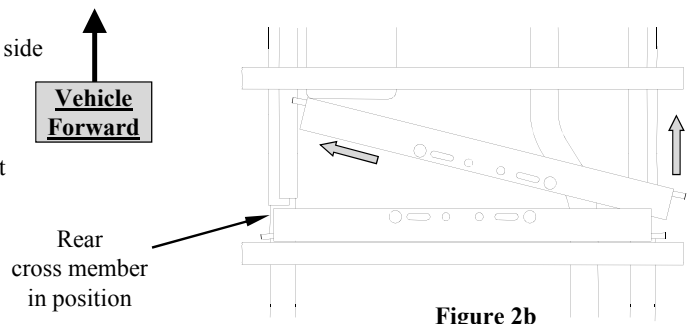
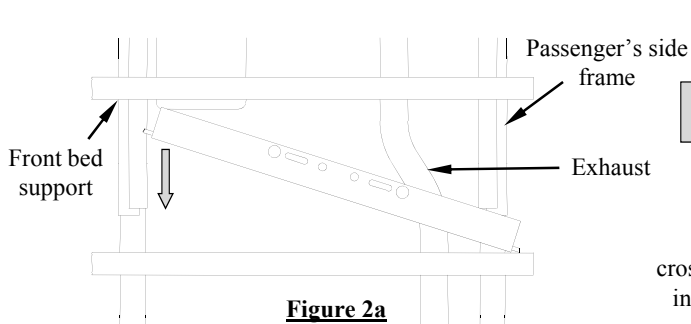
Hide-A-Goose Only – Drilled hole in bed location (see step 6).

Short Box - 44 inches

Long Box - 46 inches

Installation Instructions

1. Lower the vehicle exhaust by removing the retaining clips from the rubber exhaust hanger and then sliding the rubber exhaust hanger from the exhaust hanger hooks. Lower the spare tire to provide clearance for the cross member installation. On 2010 and later model year vehicles, temporarily remove the ground wire located on the outside of the Driver's side frame rail.
- 2a. **Positioning the cross members from underneath:** Place the cross members into position between the top of the frame and under the bed as shown in Figure 2, starting with the rear cross member. Note: the cross members in this kit are the same, but they face different directions as shown in Figure 1. Slide the rear cross member between the driver's side frame and the vehicle bed, then over the exhaust (Figure 2a). Slide the right end of the cross member over the passenger's side frame and back against the rear bed support. Install the forward cross member as shown in Figure 2b.
- 2b. **Positioning the cross members by notching the bed seam:** Using a saber saw, cut a notch in the bed seam on the passenger's side of the vehicle, between the vehicle frame and the bed as shown in Figure 3. Slide the forward cross member through the notch cut in the bed seam and above both frame rails. Then slide the rearward cross member through the notch cut in the bed seam and above both frame rails.
3. Place 5/8" GR8 carriage bolts from the Hide-A-Goose hitch fastener kit into the square holes on the cross members from the top pointing towards the ground (see Figure 1).



Installation Instructions

GOOSENECK MOUNTING KIT

Dodge Ram 2500/3500 Heavy Duty

Short & Long Bed, & All Megacabs

9464/9474 HIDE-A-GOOSE INSTALLATION

Part Numbers:

4435

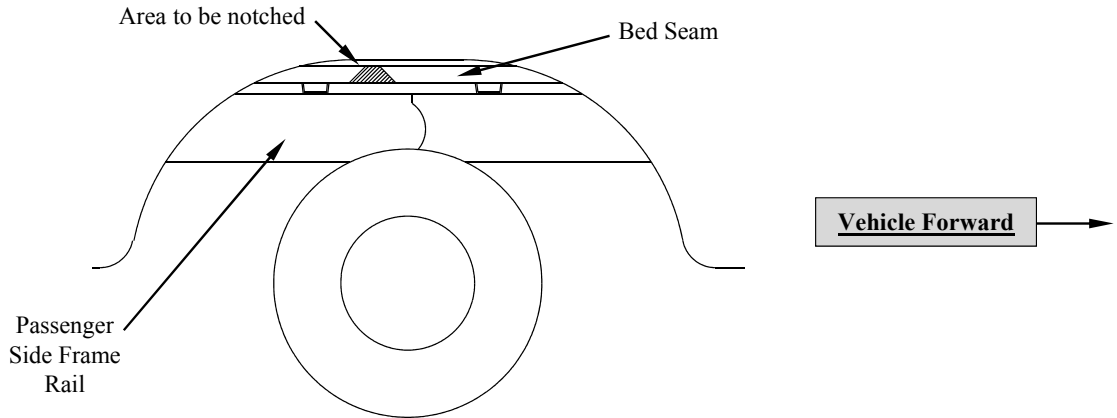


Figure 3

4. Line up the mounting holes in the frame brackets with the threaded studs on the ends of the cross members. Loosely attach frame brackets to rails with 5/8 hex nuts, lock washers and flat washers as shown in Figure 1.
5. Use the U-Bolts to attach the frame brackets to the frame as shown in Figure 1. It may be necessary to loosen the wire harness from the inside of the driver's side frame in order to position the U-Bolts. The forward driver's side U-Bolt must go between the brake line and the vehicle frame. Loosely fasten the U-Bolts to the frame brackets using the 1/2" nuts and conical toothed washers. Fish wire the 1/2-13 carriage bolts and 1/4 X 1.00 X 3.00 blocks through the holes in the vehicle frame and through the flange on the frame brackets. Loosely install the 1/2" conical toothed washers and hex nuts.
6. When installing the 9464/9474 Hide-A-Goose hitch, a hole must be drilled in the bed of the truck. Mark and drill a 1/4" hole **44 inches (6' bed) / 46 inches (8' bed)** from the rear of the bed and centered between the wheel wells. Using a hole saw, enlarge the pilot hole to the final diameter hole size. Refer to the 9464/9474 Hide-A-Goose hitch instruction sheet for hole size.
7. Loosely install the 9464/9474 Hide-A-Goose hitch to the cross members. **Note: The ball should be positioned closer to the forward rail than the rear rail. See Figure 1.**
8. After loosely installing the Hide-A-Goose hitch and 4435 mounting kit, line up the hitch ball sleeve with the opening in the truck bed. Torque all 5/8-11 GR5 fasteners to 150 ft.-lb. (203 N-m), 1/2-13 GR5 fasteners to 75 ft.-lb. (102 N-m), and 5/8-11 GR8 fasteners on the hitch to 212 ft.-lb. (287 N-m). Use the following sequence: a) torque frame brackets to the frame of the vehicle, b) torque cross members to the frame brackets, c) torque hitch to cross members.
9. If the wire harness was loosened to install the driver's side rear U-Bolt and cannot be reattached using the existing fasteners, use the included cable tie to attach the wires to the U-Bolt.
10. Reinstall the exhaust and raise the spare tire. Reattach the ground wire, through the large hole in the Driver's side frame bracket on 2010 and later model year vehicles.

Installation Instructions

GOOSENECK MOUNTING KIT

Dodge Ram 2500/3500 Heavy Duty
Short & Long Bed, & All Megacabs

9464/9474 HIDE-A-GOOSE INSTALLATION

Part Numbers:

4435

This page was intentionally left blank.

Installation Instructions

GOOSENECK MOUNTING KIT

Dodge Ram 2500/3500 Heavy Duty

Short & Long Bed

All Megacabs

Part Numbers:

4435

Equipment Required:

Fastener Kit: 4435F

Wrenches: 3/4, 15/16

Drill Bits: 1/8", 5/8"

Other Tools: Drill, Reciprocating Saw

WARNING: Under no circumstances do we recommend exceeding the towing vehicle manufacturers recommended vehicle towing capacity.

6300/8339/83391/83399 GOOSENECK HITCH

INSTALLATION

All Fasteners Typical, Both Sides

5/8" Fasteners from Hitch Fastener Kit

Vehicle Forward

After installing bracket, reattach ground wire

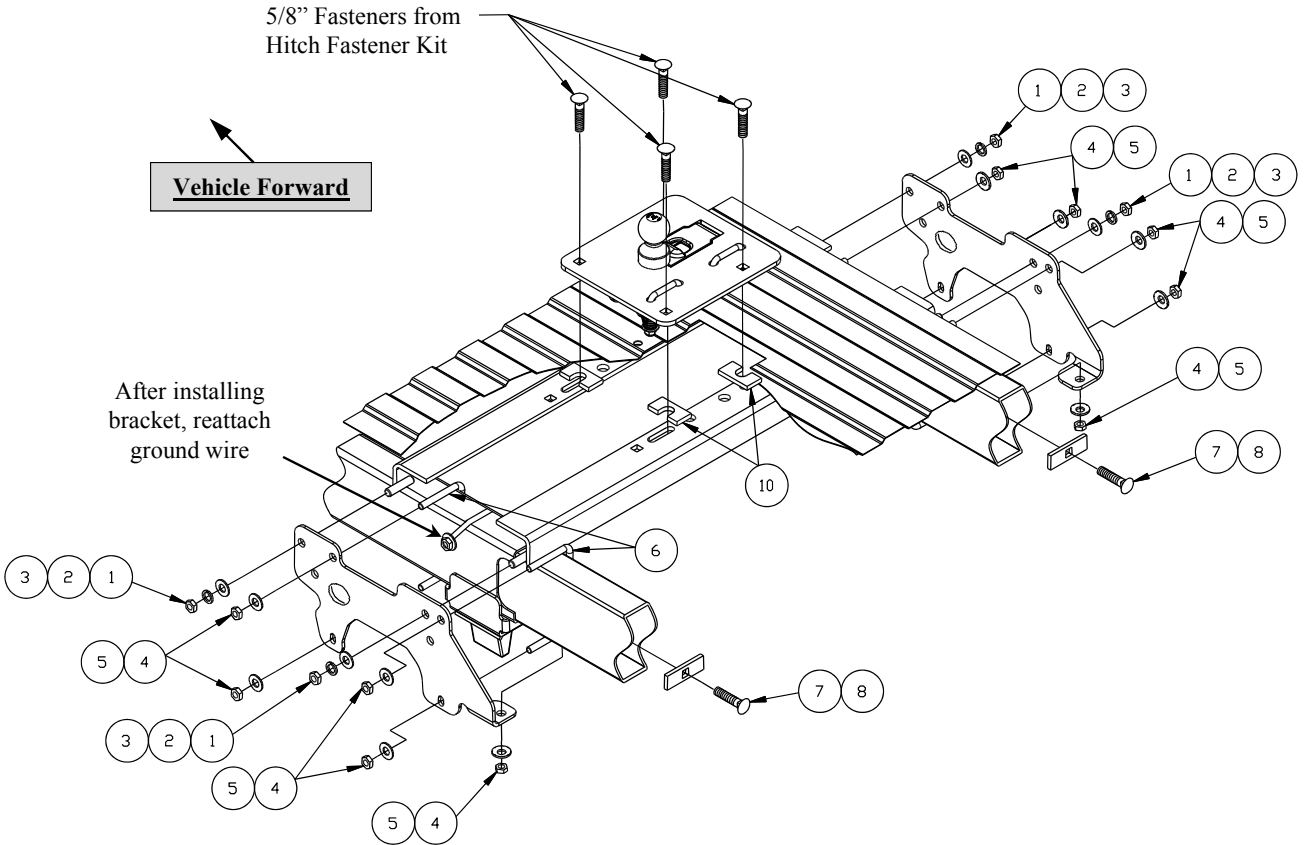


Figure 1

1	Qty. (4)	Hex Nut, 5/8"-11	6	Qty. (4)	U-Bolt, 1/2"
2	Qty. (4)	Lock Washer, 5/8"	7	Qty. (2)	Carriage Bolt, 1/2-13 GR5
3	Qty. (4)	Flat Washer, 5/8"	8	Qty. (2)	Block, 1/4" X 1.00 X 3.00
4	Qty. (10)	Hex Nut, 1/2"-13	9	Qty. (1)	Cable Tie (not shown)
5	Qty. (10)	Conical Toothed Washer, 1/2"	10	Qty. (4)	Shims, 1" x 2"

Installation Instructions

Part Numbers:

GOOSENECK MOUNTING KIT

4435

Dodge Ram 2500/3500 Heavy Duty

Short & Long Bed, & All Megacabs

6300/8339/83391/83399 GOOSENECK HITCH INSTALLATION

NOTES:

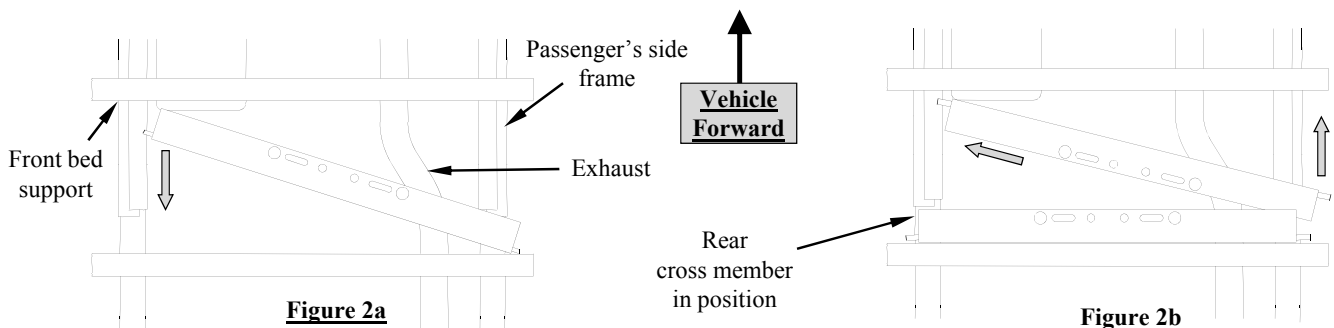
- This rail kit can be used with a 6300, 8339, 83391 or 83399 head only.
- Always make sure the ball is fully locked before towing.
- Keep the ball and ball pocket well lubricated.
- Periodically re-torque all the hitch fasteners.
- Check ball, hitch coupler, safety chains and other connections for proper operation every time you tow.

Warning:

- ❖ The tow vehicle manufacturers recommended towing capacities should UNDER NO CIRCUMSTANCES be exceeded.
- ❖ Check for adequate clearance between the gooseneck trailer and the rear of the cab and the rear of the truck box before installing hitch.
- ❖ All trucks have fuel lines, brake lines and electrical wiring located along the vehicle frame where the rail kit installs. Carefully examine the location of fuel lines, brake lines and electrical wires before installation and be certain not to damage these when positioning the hitch components. Be careful when drilling holes, cutting sheet metal and tightening fasteners as to not limit the integrity of these systems.

Installation Instructions

1. Lower the vehicle exhaust by removing the retaining clips from the rubber exhaust hanger and then sliding the rubber exhaust hanger from the exhaust hanger hooks. Lower the spare tire to provide clearance for the cross member installation. On 2010 and later model year vehicles, temporarily remove the ground wire located on the outside of the Driver's side frame rail.
- 2a. **Positioning the cross members from underneath:** Place the cross members into position between the top of the frame and under the bed as shown in Figure 2, starting with the rear cross member. Note: the cross members in this kit are the same, but they face different directions as shown in Figure 1. Slide the rear cross member between the driver's side frame and the vehicle bed, then over the exhaust (Figure 2a). Slide the right end of the cross member over the passenger's side frame and back against the rear bed support. Install the forward cross member as shown in Figure 2b.
- 2b. **Positioning the cross members by notching the bed seam:** Using a saber saw, cut a notch in the bed seam on the passenger's side of the vehicle, between the vehicle frame and the bed as shown in Figure 3. Slide the forward cross member through the notch cut in the bed seam and above both frame rails. Then slide the rearward cross member through the notch cut in the bed seam and above both frame rails.



Installation Instructions

GOOSENECK MOUNTING KIT

Dodge Ram 2500/3500 Heavy Duty

Short & Long Bed, & All Megacabs

6300/8339/83391/83399 GOOSENECK HITCH INSTALLATION

Part Numbers:

4435

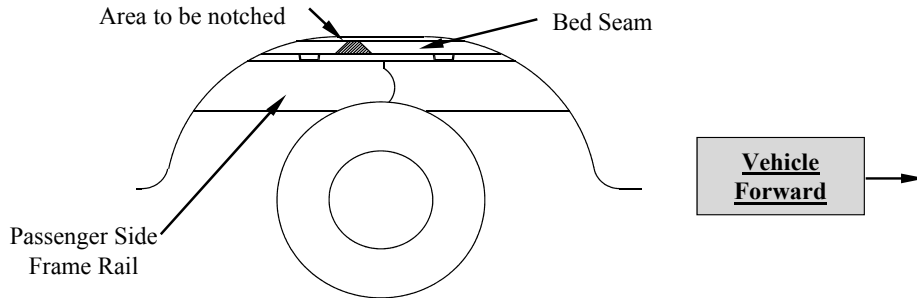
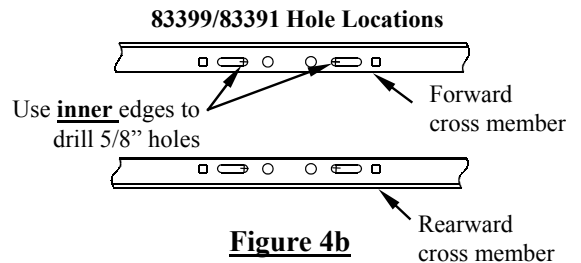
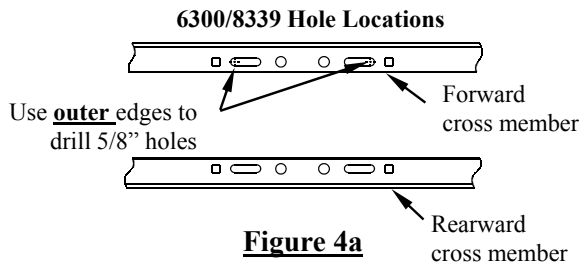


Figure 3

- Line up the mounting holes in the frame brackets with the threaded studs on the ends of the cross members. Loosely attach frame brackets to rails with 5/8 hex nuts, lock washers and flat washers as shown in Figure 1.
 - Use the U-Bolts to attach the frame brackets to the frame as shown in Figure 1. It may be necessary to loosen the wire harness from the inside of the driver's side frame in order to position the U-Bolts. The forward driver's side U-Bolt must go between the brake line and the vehicle frame. Loosely fasten the U-Bolts to the frame brackets using the 1/2" nuts and conical toothed washers. Fish wire the 1/2-13 carriage bolts and 1/4 X 1.00 X 3.00 blocks through the holes in the vehicle frame and through the flange on the frame brackets. Loosely install the 1/2 conical toothed washers and hex nuts.
 - With the cross members and side brackets installed, torque the 5/8-11 GR5 fasteners that attach the forward cross member to the brackets to 150 ft.-lb (203 N-m). Torque the 1/2" fasteners and U-Bolt fasteners that attach the side brackets to the frame to 75 lb.-ft. (102 N-m). The rearward cross member should be left loose until Step 15.
- 6a. For 6300 & 8339** use the **outer** edges of the long slots in the forward cross member as a template to drill 5/8" diameter holes through the truck bed as shown in Figure 4a. Not all holes can be drilled from under the vehicle, but should be done later from inside the bed.
- 6b. For 83391 & 83399** use the **inner** edges of the long slots in the forward cross member as a template to drill 5/8" diameter holes through the truck bed as shown in Figure 4b. Not all holes can be drilled from under the vehicle, but should be done later from inside the bed.
- Align the holes on the template (provided with the gooseneck hitch) with the holes previously drilled through the bed. Be sure that the template is properly oriented toward the front of the vehicle. Center punch the holes that will be used to cut the opening in the bed (see Figure 5). If the vehicle is equipped with a bed liner, a section of the bed liner must be cut away so that the gooseneck platform can contact the bed corrugations.
 - Drill 1/4" pilot holes (size will depend on width of blade in saber saw).
 - Cut out the truck bed and file edges as needed.



Installation Instructions

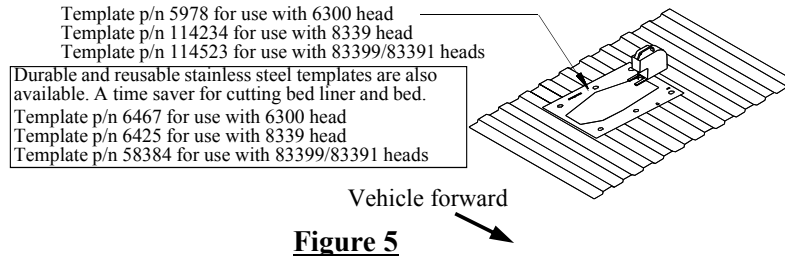
Part Numbers:


GOOSENECK MOUNTING KIT

4435

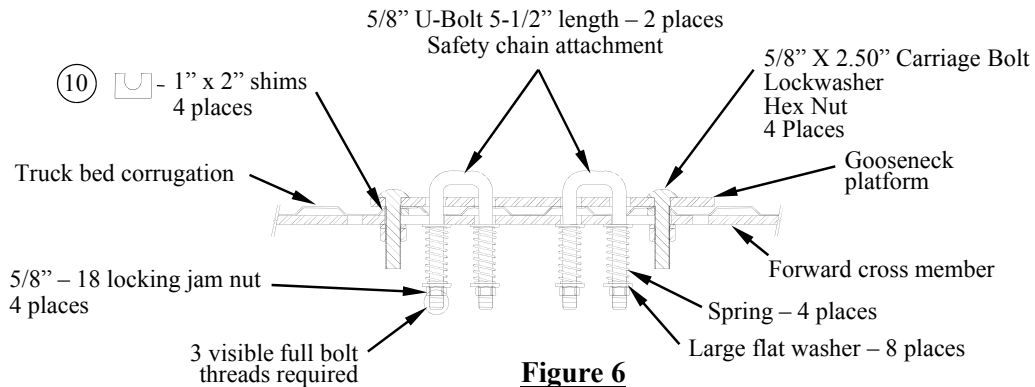
Dodge Ram 2500/3500 Heavy Duty
Short & Long Bed, & All Megacabs

6300/8339/83391/83399 GOOSENECK HITCH INSTALLATION



 **WARNING** The fuel tank and/or other vehicle components may be located below some of the holes. A wood or metal shield must be placed between the frame and the fuel tank or other critical components to prevent damage when the drill breaks through the bed.

10. Install the hitch into the opening.
11. Use the hitch as a guide to drill the 5/8" diameter holes for the rearward cross member and the U-Bolts holes if installing a 6300 or 8339 gooseneck hitch.



12. Before installing the 5/8" carriage bolts through the hitch, the U-Block shims must be placed between the hitch and the bed and between the cross members and the bottom of the bed (see Figure 6). These shims are necessary to prevent the bed corrugations from collapsing when the bolts are tightened.
13. Align the rearward cross member with the 5/8" diameter drilled holes.
13. Install the 5/8 X 2.50 GR5 carriage bolts through the hitch, shims and cross members. Secure with lock washers and nuts. Torque nuts to 150 ft.-lb. (203 N-m).
14. For 6300 and 8339 Installations: Install the (2) U-bolts through the hitch. From under the vehicle install the large flat washer over the U-Bolt followed by a spring, another large flat washer and secure with a thin 5/8" jam nut. Repeat for the other legs of the U-Bolts. The 5/8" jam nuts are tightened until (3) threads are visible past the bottom of the jam nut.
15. Torque the 5/8-11 GR5 fasteners connecting the rearward cross member to the brackets to 150 ft.-lb. (203 N-m).
16. If the wire harness was loosened to install the rear driver's side frame bracket u-bolt and cannot be reattached using the existing fasteners, use the cable tie to attach the wires to the u-bolt.
17. Reinstall the exhaust and raise the spare tire. Reattach the ground wire, through the large hole in the Driver's side frame bracket on 2010 and later model year vehicles.