

# INSTALLATION INSTRUCTIONS

## EQUIPMENT REQUIRED:

WIRING ACCESS LOCATION: SUV7

DRILL BITS: 1/2, 9/16

HITCH REQUIRES 5/8" PIN AND CLIP IF STABILIZING PIN IS NOT INSTALLED.

WRENCHES: (TIGHTEN ALL FASTENERS WITH TORQUE WRENCH) 7/8

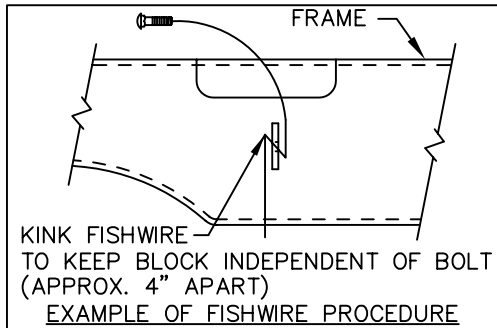
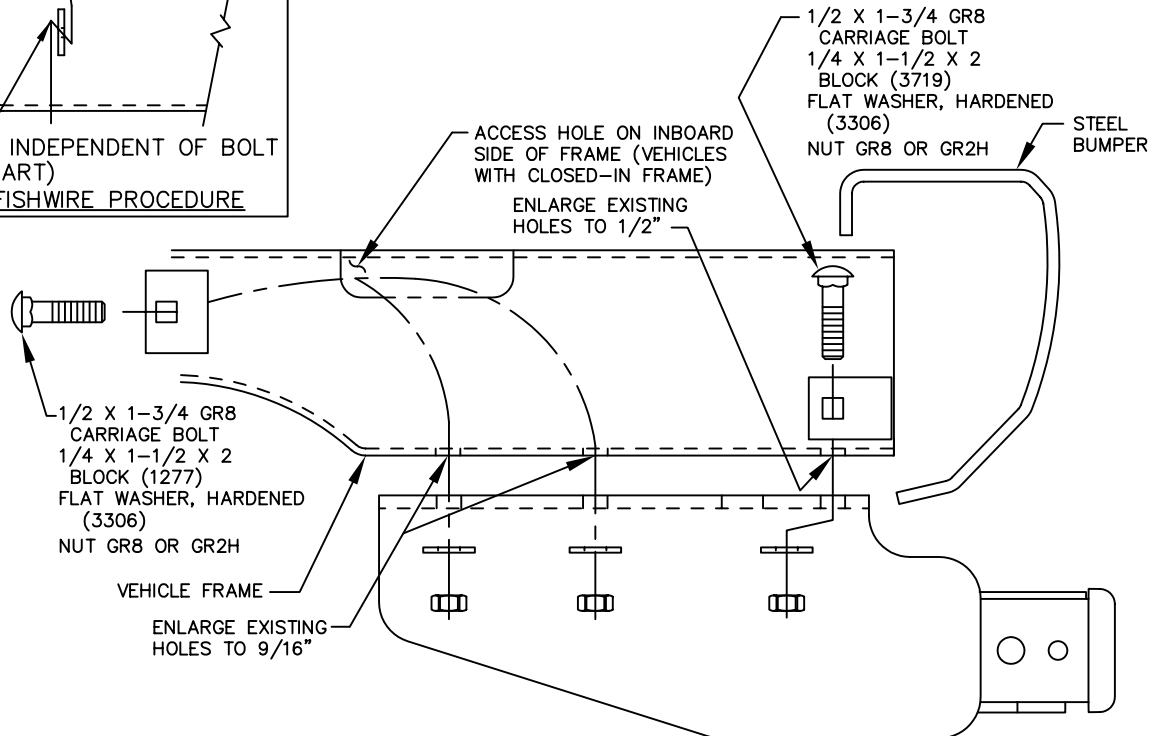
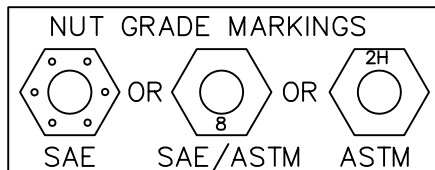


FIGURE 1



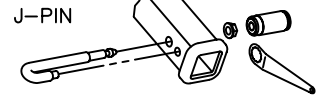
HEAD MARKING OF GR8 BOLT



NUT GRADE MARKINGS

SAE OR SAE/ASTM OR ASTM

OPTIONAL LOCKING STABILIZING PIN



(Order Separately)

**NOTE:** FOR PROPER HITCH PERFORMANCE SAE GRADE 8, OR ASTM GRADE 2H (HIGH STRENGTH) FASTENERS MUST BE USED AND PROPERLY TIGHTENED TO 107 LB.-FT.

1. REMOVE ALL BUT A THIN LAYER OF UNDERCOATING FROM BOTTOM SURFACE OF VEHICLE FRAME RAIL, EACH SIDE.
2. ENLARGE TWO (2) REARMOST HOLES IN FRAME [ONE (1) EACH SIDE] TO 1/2". ENLARGE FOUR (4) FORWARDMOST HOLES [TWO (2) EACH SIDE] TO 9/16". BE CAREFUL NOT TO DRILL WIRE HARNESS INSIDE DRIVER'S SIDE FRAME.
3. INSTALL 1/2 X 1-3/4 CARRIAGE BOLTS AND 1/4 X 1 X 1-1/2 BLOCKS (1277) DOWN THROUGH TWO (2) FORWARDMOST HOLES IN FRAME RAIL, EACH SIDE. FOR VEHICLES WITH CLOSED-IN FRAME, FASTENERS MUST BE FISHWIRED THROUGH ACCESS HOLE ON INBOARD SIDE OF FRAME RAIL (SEE FIGURE 1).
4. RAISE HITCH INTO POSITION, BEING CAREFUL NOT TO PUSH FORWARD FASTENERS BACK INTO FRAME. SECURE HITCH INTO POSITION BY INSTALLING HARDENED FLAT WASHERS (3306) AND NUTS ONTO CARRIAGE BOLTS.

**NOTE:** WIRING HARNESS IS LOCATED INSIDE DRIVER'S SIDE FRAME. DO NOT SANDWICH WIRES BETWEEN FRAME AND FASTENERS.

5. INSTALL REMAINING FASTENERS AS SHOWN ABOVE.

TIGHTEN 1/2 GR8 FASTENERS TO 107 LB.-FT.

THIS PRODUCT COMPLIES WITH SAFETY SPECIFICATIONS AND REQUIREMENTS FOR CONNECTING DEVICES AND TOWING SYSTEMS OF THE STATE OF NEW YORK AND V.E.S.C. REGULATION V-5.

APPROX WEIGHT (LB.)  
46

FASTENER KIT  
1130-798

**NOTE:** Check hitch frequently, making sure all fasteners and ball are properly tightened. If hitch is removed, plug all holes in trunk pan or other body panels to prevent entry of water and exhaust fumes. A hitch or ball which has been damaged should be removed and replaced. Observe safety precautions when working beneath a vehicle and wear eye protection. Follow car maker's specs for maximum trailer weight and tongue weight. Do not cut access or attachment holes with a torch.

**TOWING PRODUCTS**  
Plymouth, Michigan

| VEHICLE                         | HITCH NO. |
|---------------------------------|-----------|
| CHEVROLET SUBURBAN/BLAZER/TAHOE | 41511     |
| GMC SUBURBAN/YUKON/DENALI       | 37074     |
| CADILLAC ESCALADE               | 87468     |

DO NOT EXCEED LOWER OF  
TOWING VEHICLE MFR'S RATINGS OR

| HITCH TYPE ▼               | MAX GROSS TRLR WT(LB) | MAX TONGUE WT(LB) |
|----------------------------|-----------------------|-------------------|
| WEIGHT DISTRIBUTING        | 10,000                | 1000              |
| WEIGHT CARRYING BALL MOUNT | 6000                  | 600               |