

YEARS: 2017-PRESENT

MAKE: BMW

MODEL: 5 SERIES

STYLE: SEDAN

WARNING: NEVER EXCEED YOUR VEHICLE MANUFACTURER'S RECOMMENDED TOWING CAPACITY
 For more information log onto www.curtmfg.com & for helpful towing tips log onto www.hitchinfo.com

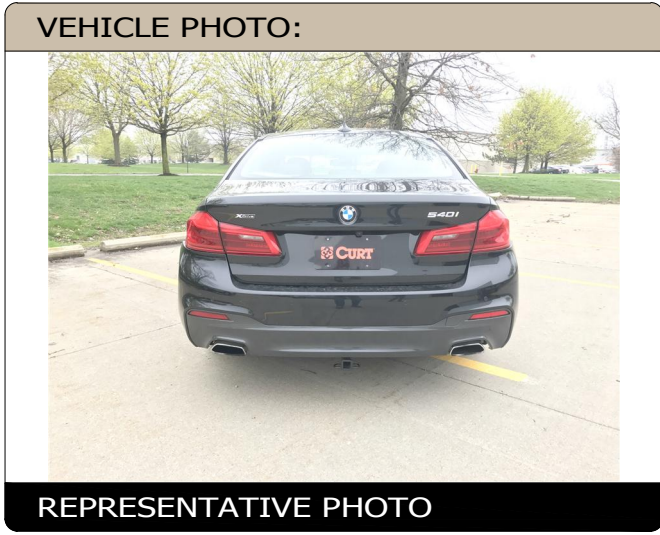
WEIGHT CARRYING:
 TRAILER WEIGHT: 2,000 LBS.
 TONGUE WEIGHT: 200 LBS.

WARNING:
 WE RECOMMEND THE USE OF 18050 STABILIZING STRAPS FOR ALL NON-TRAILER (WHEEL-LESS) LOADS. PLEASE SEE THE CURT CATALOG OR VISIT US ONLINE AT WWW.CURTMFG.COM FOR FURTHER INFORMATION.

PRO INSTALL TIME: 60 MIN.
NOVICE INSTALL TIME: 120 MIN.

IF YOU ARE HESITANT TO UNDERTAKE THIS TASK ON YOUR OWN, CONTACT AN AUTHORIZED CURT INSTALLER FOR ADDITIONAL ASSISTANCE.

- INSTALLATION TIPS:**
- BEFORE YOU BEGIN INSTALLATION, READ ALL INSTRUCTIONS THOROUGHLY.
 - TO EASE INSTALLATION, 2 PEOPLE MAY BE REQUIRED.
 - USING PROPER TOOLS WILL GREATLY IMPROVE THE QUALITY OF THE INSTALL AND REDUCE THE TIME REQUIRED.
 - NEED HELP OR HAVE SOME QUESTIONS? CALL TECHNICAL SUPPORT AT 800.798.0813

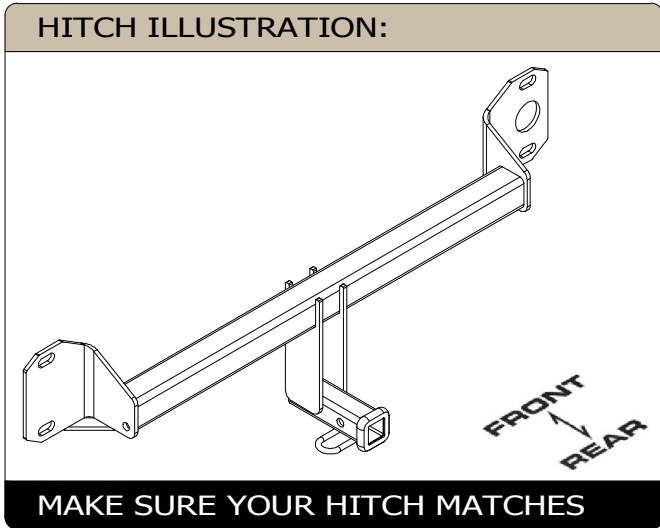


INSTALLATION REQUIRES:

RATCHET	PRY BAR	8mm 10mm 18mm SOCKET
T15 TORXBIT SOCKET	8" SOCKET EXTENSION	SAFETY GLASSES
TORQUE WRENCH	AVIATION SHEARS	

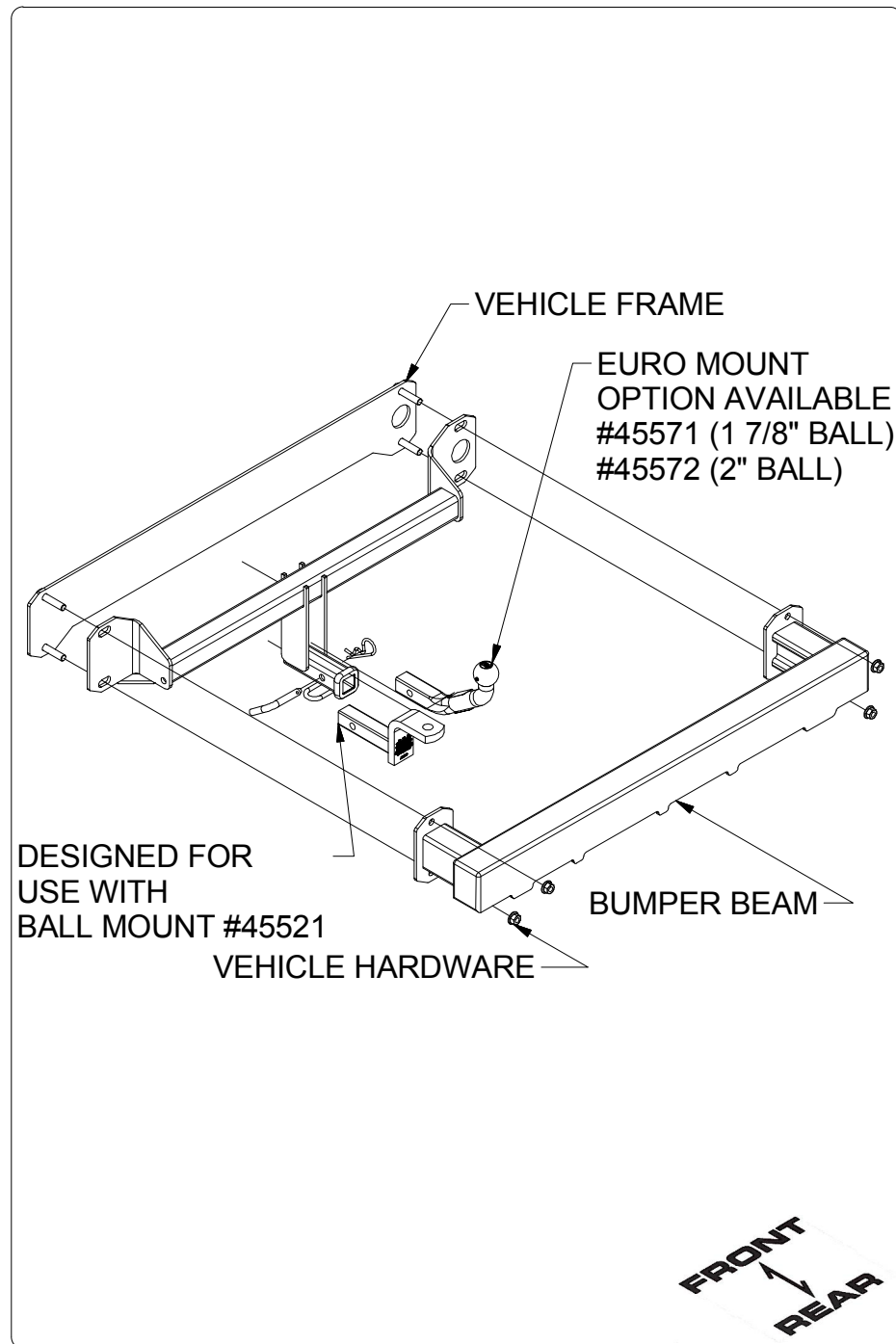
LEVEL OF DIFFICULTY: CHALLENGING

EASY	MODERATE	CHALLENGING
TRIM	PLASTIC BRACKET TRIM REQUIRED	
PART REMOVAL	TEMPORARY REMOVAL OF FASCIA REQUIRED	

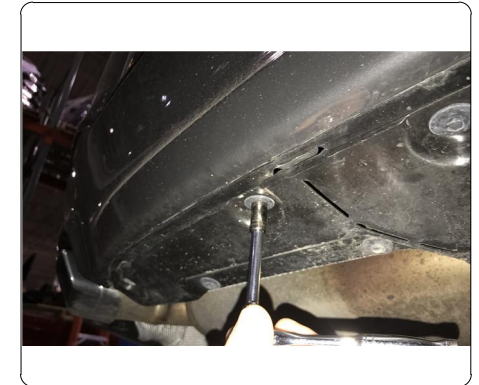


PERIODICALLY CHECK THIS RECEIVER HITCH TO ENSURE ALL FASTENERS ARE TIGHT AND ALL STRUCTURAL COMPONENTS ARE SOUND
 CURT Manufacturing LLC. warrants this product to be free of defects in material and/or workmanship at the time of retail purchase by the original purchaser. If the product is found to be defective, CURT Manufacturing LLC. may repair or replace the product at their option, when the product is returned, prepaid, with proof of purchase. Alteration to, misuse of, or improper installation of this product voids the warranty. CURT Manufacturing LLC.'s liability is limited to repair or replacement of products found to be defective, and specifically excludes liability for incidental or consequential loss or damage.
 For more information log onto www.curtmfg.com
 This product complies with safety specifications and requirements for connecting devices and towing systems of the state of New York, V.E.S.C.Regulation V-5 and SAE J684.

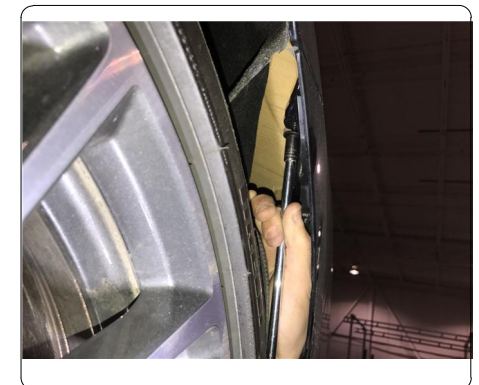
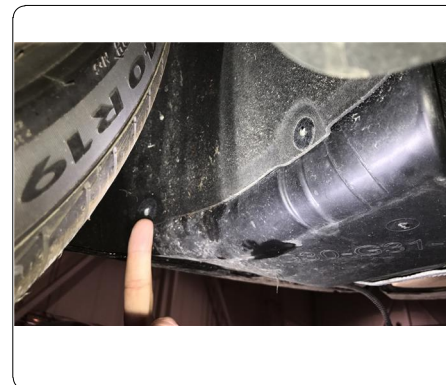
INSTALLATION WALKTHROUGH:



1. Remove (8) clips from underbody panel using an 8mm socket.

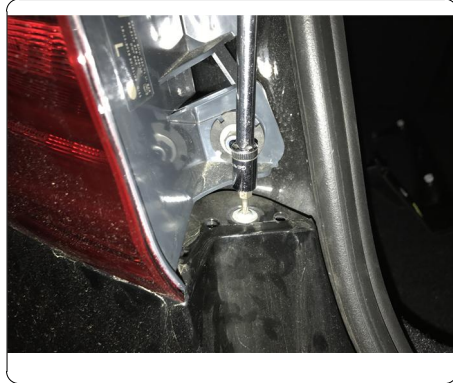


2. Unclip active exhaust electrical connector. Remove (9) screws on heat shield and attaching wheel liner using 8mm socket. Pull away wheel liner and remove (1) bolt using an 8mm socket.

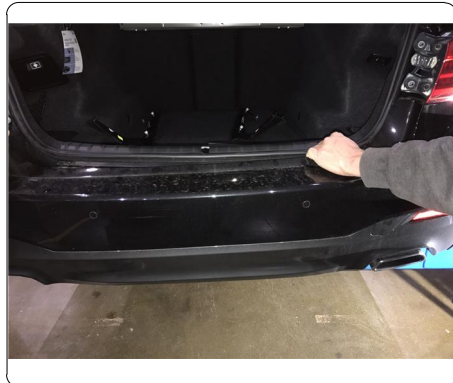
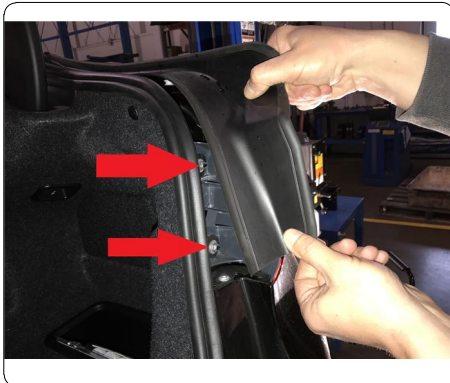


INSTALLATION WALKTHROUGH:

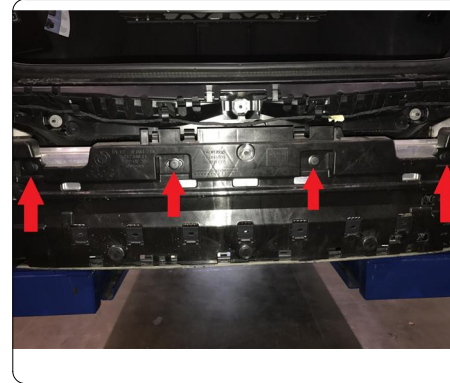
3. Remove plastic liner around tail light by pulling up and out. Use T15 torx bit to remove (1) screw by each tail light.



4. Remove (2) bolts using 10mm socket from each tail light. Carefully remove rear bumper fascia. NOTE: To ease fascia removal, begin from outside and work towards the center of the vehicle.



5. Remove (4) clips holding plastic bumper panel to bumper beam. Remove (2) nuts from each side using 18mm socket. Insert hitch between bumper beam and vehicle. Loosely secure existing hardware.



6. Trim underbody panel along slotted line. Torque all M12 hardware to 82.5 ft-lbs. Reinstall removed items following steps 1-5 in reverse order.



11478

BMW 5 SERIES

4/21/2017

GROSS LOAD CAPACITY WHEN USED AS A WEIGHT CARRYING HITCH: 2,000 LBS. TRAILER WEIGHT & 200 LBS. TONGUE WEIGHT.

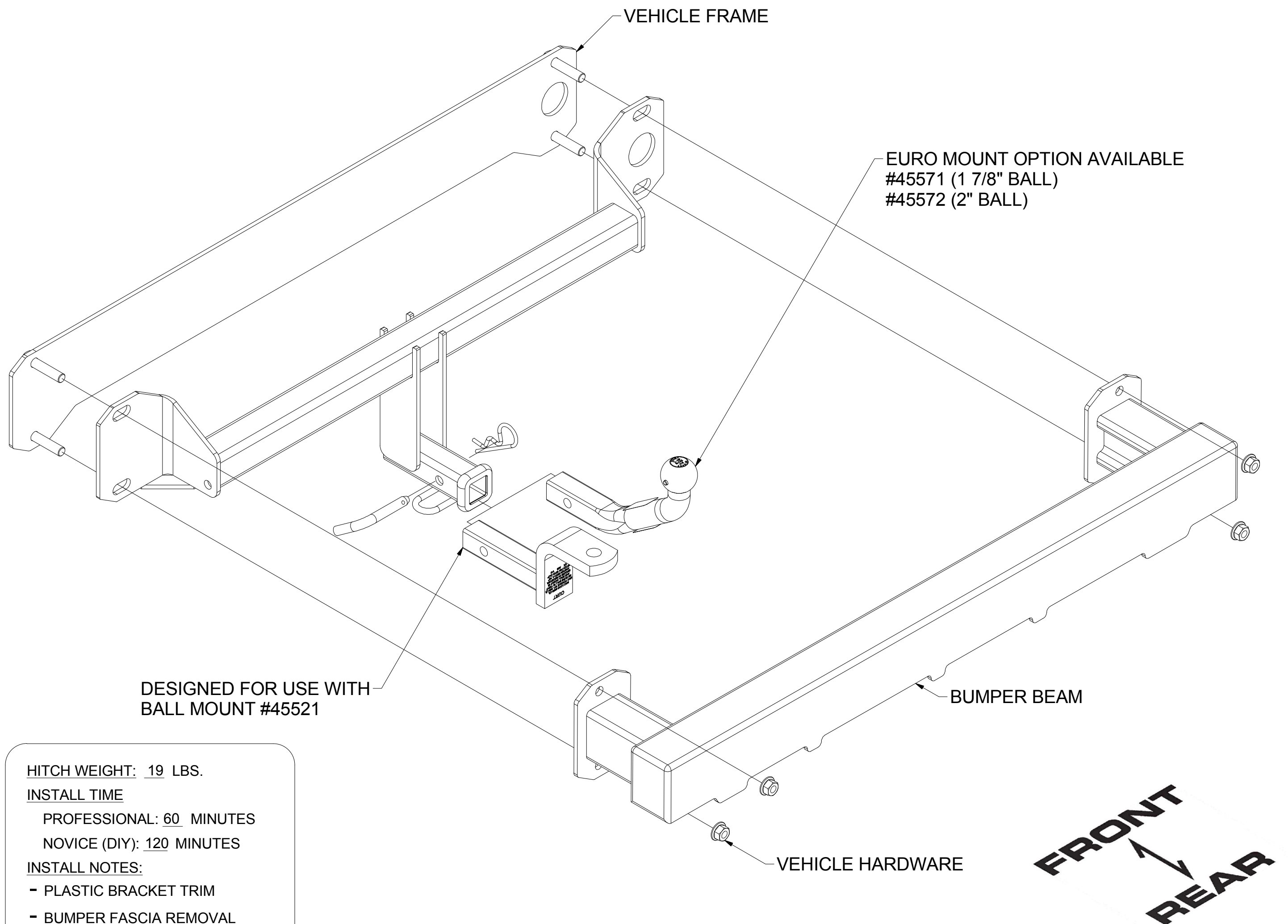
WARNING: ALL NON-TRAILER LOADS APPLIED TO THIS PRODUCT MUST BE SUPPORTED BY 18050 STABILIZING STRAPS.



WARNING: ** FAILURE TO PROPERLY SUPPORT NON-TRAILER LOADS WILL VOID PRODUCT WARRANTY **

WARNING: * DO NOT EXCEED VEHICLE MANUFACTURER'S RECOMMENDED TOWING CAPACITY *****

FOR MORE INFORMATION LOG ONTO WWW.CURTMFG.COM
HAVING INSTALLATION QUESTIONS? CALL TECHNICAL SUPPORT AT 1-800-798-0813



HITCH WEIGHT: 19 LBS.

INSTALL TIME

PROFESSIONAL: 60 MINUTES

NOVICE (DIY): 120 MINUTES

INSTALL NOTES:

- PLASTIC BRACKET TRIM
- BUMPER FASCIA REMOVAL REQUIRED

INSTALLATION STEPS

1. Remove (8) clips from underbody panel using an 8mm socket.
2. Unclip active exhaust electrical connector. Remove (9) screws on heat shield and attaching wheel liner using 8mm socket. Pullaway wheel liner and remove (1) bolt using an 8mm socket.
3. Remove plastic liner around tail light by pulling up and out. Use T15 torx bit to remove (1) screw by each tail light.
4. Remove (2) bolts using 10mm socket from each tail light. Carefully remove rear bumper fascia.
5. Remove (4) clips holding plastic bumper panel to bumper beam. Remove (2) nuts from each side using 18mm socket. Insert hitch between bumper beam and vehicle. Loosely secure existing hardware. **NOTE:** To ease fascia removal, begin from outside and work towards the center of the vehicle.
6. Trim underbody panel along slotted line. Torque all M12 hardware to 82.5 ft-lbs. Reinstall removed items following steps 1-5 in reverse order.



Scan
for more
information

PERIODICALLY CHECK THIS RECEIVER HITCH TO ENSURE THAT ALL FASTENERS ARE TIGHT AND THAT ALL STRUCTURAL COMPONENTS ARE SOUND.

CURT Manufacturing LLC., warrants this product to be free of defects in material and/or workmanship at the time of retail purchase by the original purchaser. If the product is found to be defective, CURT Manufacturing LLC., may repair or replace the product, at their option, when the product is returned, prepaid, with proof of purchase. Alteration to, misuse of, or improper installation of this product voids the warranty. CURT Manufacturing LLC.'s liability is limited to repair or replacement of products found to be defective, and specifically excludes liability for incidental or consequential loss or damage.

This product complies with safety specifications and requirements for connecting devices and towing systems of the state of New York, V.E.S.C.Regulation V-5 and SAE J684.