

GROSS LOAD CAPACITY WHEN USED AS A WEIGHT CARRYING HITCH: 2,000 LBS. TRAILER WEIGHT & 200 LBS. TONGUE WEIGHT.

WARNING: ALL NON-TRAILER (WHEEL-LESS) LOADS APPLIED TO THIS PRODUCT MUST BE SUPPORTED BY 18050 STABILIZING STRAPS.



**WARNING: \*\* FAILURE TO PROPERLY SUPPORT NON-TRAILER LOADS WILL VOID PRODUCT WARRANTY \*\***

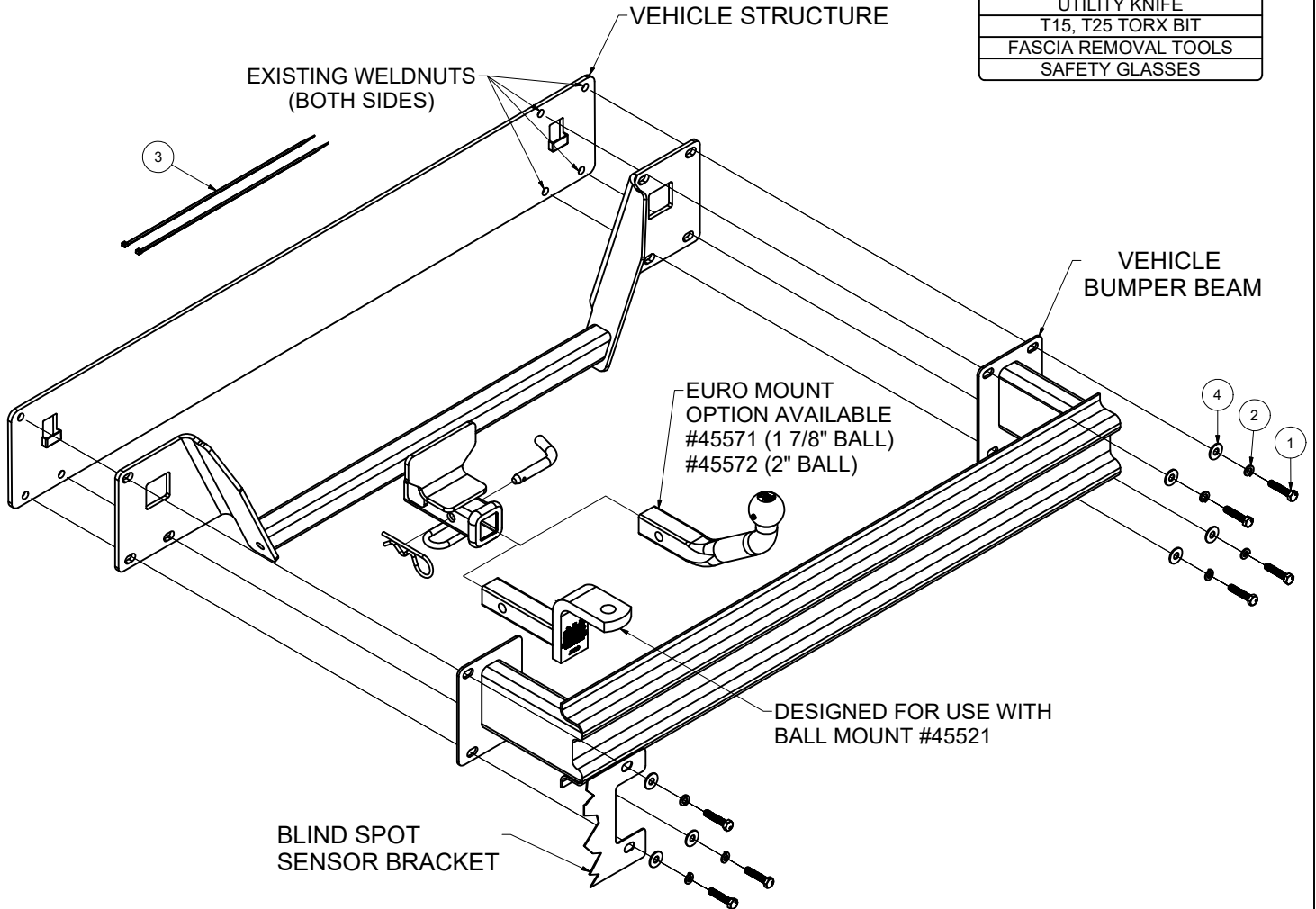
**WARNING: \*\*\* DO NOT EXCEED VEHICLE MANUFACTURER'S RECOMMENDED TOWING CAPACITY \*\*\***



FOR MORE INFORMATION LOG ONTO WWW.CURTMFG.COM  
HAVING INSTALLATION QUESTIONS? CALL TECHNICAL SUPPORT AT 1-800-798-0813

Parts List			
ITEM	QTY	PART NUMBER	DESCRIPTION
1	7	10-10053	HHCS,M8x1.25,40,CL8.8
2	7	30-00124	WASHER, LOCK, 5/16
3	2	14 IN. CABLE TIE	CABLE TIE
4	7	30-00139	WASHER, FLAT, 5/16, ZINC

TOOLS REQUIRED
RATCHET
10mm, 13mm SOCKET
6" SOCKET EXTENSION
TORQUE WRENCH
10mm OPEN END WRENCH
TAPE MEASURE, MARKER
UTILITY KNIFE
T15, T25 TORX BIT
FASCIA REMOVAL TOOLS
SAFETY GLASSES



HITCH WEIGHT: 21 LBS.

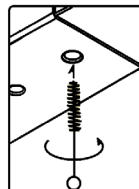
**INSTALL TIME**

PROFESSIONAL: 90 MINUTES

NOVICE (DIY): 180 MINUTES

**INSTALL NOTES:**

- TEMPORARILY REMOVE FASCIA
- TEMPORARILY REMOVE SENSORS
- TEMPORARILY REMOVE BUMPER BEAM
- TRIM FASCIA
- NO DRILLING REQUIRED



**WELDNUT CLEANING**

To remove debris from weldnuts in frame, spray lubricant or compressed air into hole. For heavy debris, use a small wire brush. (Be careful not to damage threads).

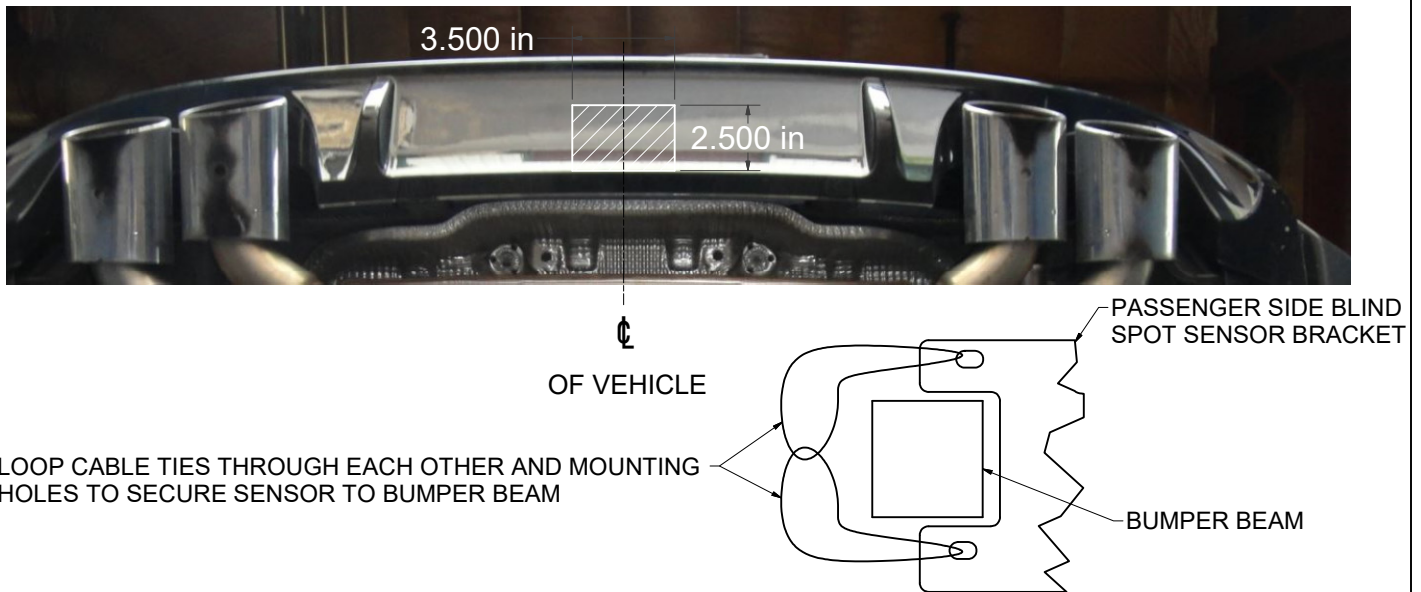


Scan for more information

**PERIODICALLY CHECK THIS RECEIVER HITCH TO ENSURE THAT ALL FASTENERS ARE TIGHT AND THAT ALL STRUCTURAL COMPONENTS ARE SOUND.**

CURT Manufacturing LLC., warrants this product to be free of defects in material and/or workmanship at the time of retail purchase by the original purchaser. If the product is found to be defective, CURT Manufacturing LLC., may repair or replace the product, at their option, when the product is returned, prepaid, with proof of purchase. Alteration to, misuse of, or improper installation of this product voids the warranty. CURT Manufacturing LLC.'s liability is limited to repair or replacement of products found to be defective, and specifically excludes liability for incidental or consequential loss or damage.

This product complies with safety specifications and requirements for connecting devices and towing systems of the state of New York, V.E.S.C.Regulation V-5 and SAE J684.



## INSTALLATION STEPS

1. Remove fascia
  - a. Remove (4) plastic screws and clips using a T15 Torx bit.
  - b. (Both sides) Remove (1) screw from bottom of wheel well area and (3) screws from rear of wheel well liner using a T25 Torx bit.
  - c. (Both sides) Remove (1) vertical screw behind wheel well liner.
  - d. Open tailgate and (both sides) open access panel behind taillights.
  - e. (Both sides) Disconnect wire harness from taillight and remove (1) plastic spring bolt.
  - f. (Both sides) Remove taillights by pulling rearward.
  - g. Using panel removal tools, remove bumper fascia starting at wheel wells and moving towards the center of the vehicle.
  - h. Disconnect wiring harness from fascia and set fascia aside.
2. Remove blind spot sensors
  - a. On driver's side, remove (2) outer bolts using a 13mm socket.
  - b. (Both sides) Remove the hex nut behind the sensor wiring harness using a 10mm open end wrench.
  - c. On passenger's side, remove (2) hex nuts using 10mm socket.
3. Remove bumper beam
  - a. Remove (5) bolts holding bumper beam to vehicle structure using a 13mm socket. Save (2) hex nuts for reinstallation and return remaining hardware to vehicle owner.
4. Install hitch and bumper beam
  - a. Raise hitch and bumper beam into position and install (5) supplied M8 bolts, lock washers and flat washers (through all passenger side attachment points and innermost driver side attachment point).
  - b. Install blind spot detector on driver's side with (2) supplied M8 bolts, lock washers and flat washers.
  - c. Torque M8 hardware to 16 lb-ft.
5. Reinstall blind spot sensors
  - a. Reinstall passenger side blind spot sensor using (1) saved hex nut from Step 3.
  - b. Use supplied cable ties to loop through (2) holes on passenger side sensor and secure sensor to bumper beam.
  - c. On driver's side, reinstall (1) saved hex nut from Step 3 on blind spot sensor.
  - d. Tighten hardware until snug.
6. Using a tape measure, marker and knife, trim fascia according to image above.
7. Reinstall fascia, taillights and wiring in reverse order from above.

**PERIODICALLY CHECK THIS RECEIVER HITCH TO ENSURE THAT ALL FASTENERS ARE TIGHT AND THAT ALL STRUCTURAL COMPONENTS ARE SOUND.**

CURT Manufacturing LLC., warrants this product to be free of defects in material and/or workmanship at the time of retail purchase by the original purchaser. If the product is found to be defective, CURT Manufacturing LLC., may repair or replace the product, at their option, when the product is returned, prepaid, with proof of purchase. Alteration to, misuse of, or improper installation of this product voids the warranty. CURT Manufacturing LLC.'s liability is limited to repair or replacement of products found to be defective, and specifically excludes liability for incidental or consequential loss or damage.

This product complies with safety specifications and requirements for connecting devices and towing systems of the state of New York, V.E.S.C.Regulation V-5 and SAE J684.