

11497

'93-'01 SUBARU IMPREZA, '02-'07 SUBARU IMPREZA, EXCEPT WRX STI
'05-'06 SAAB 9-2X

7/5/2018

GROSS LOAD CAPACITY WHEN USED AS A WEIGHT CARRYING HITCH: 2000 LBS. TRAILER WEIGHT & 200 LBS. TONGUE WEIGHT.

WARNING: ALL NON-TRAILER (WHEEL-LESS) LOADS APPLIED TO THIS PRODUCT MUST BE SUPPORTED BY 18050 STABILIZING STRAPS.



WARNING: ** FAILURE TO PROPERLY SUPPORT NON-TRAILER LOADS WILL VOID PRODUCT WARRANTY **

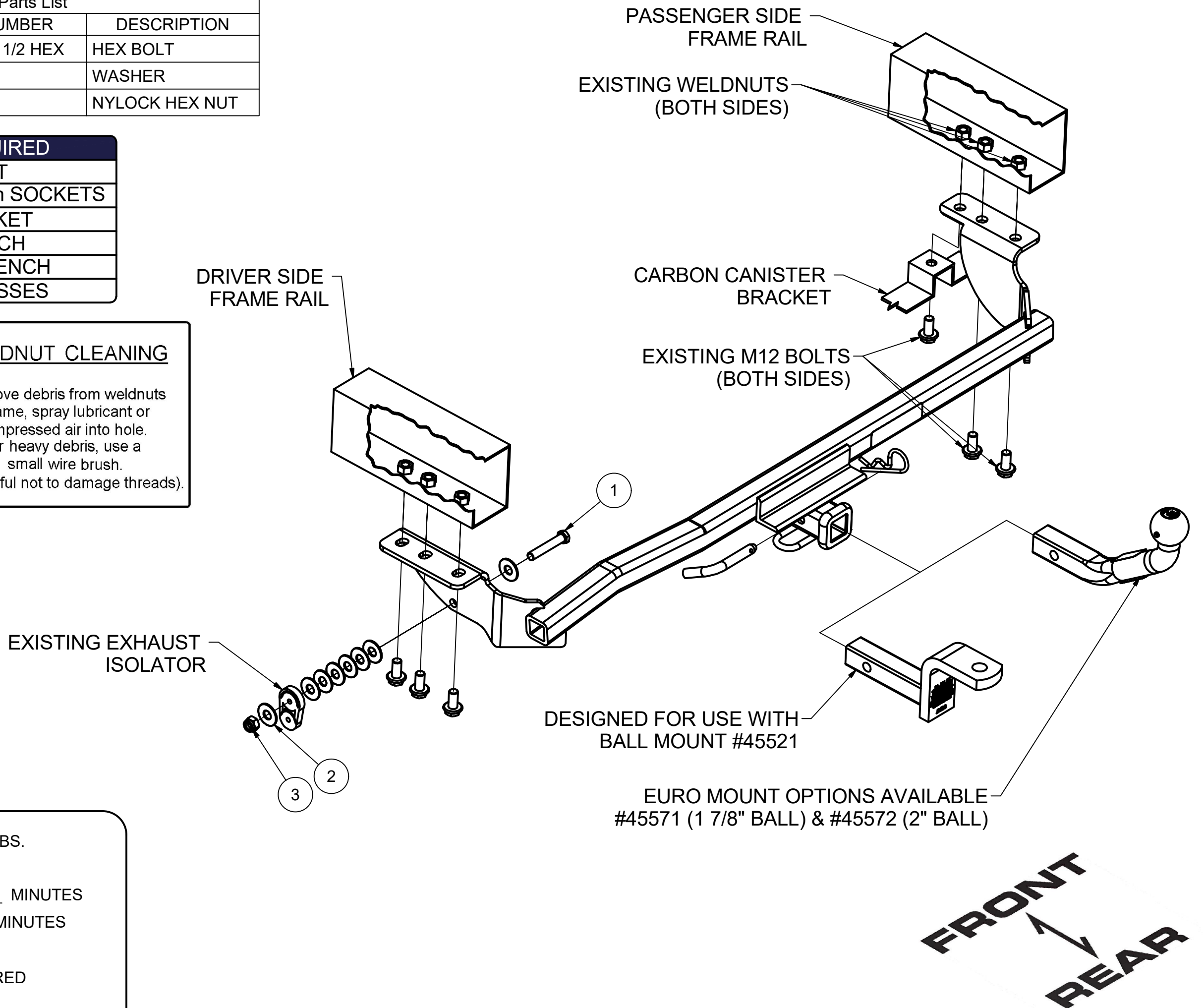
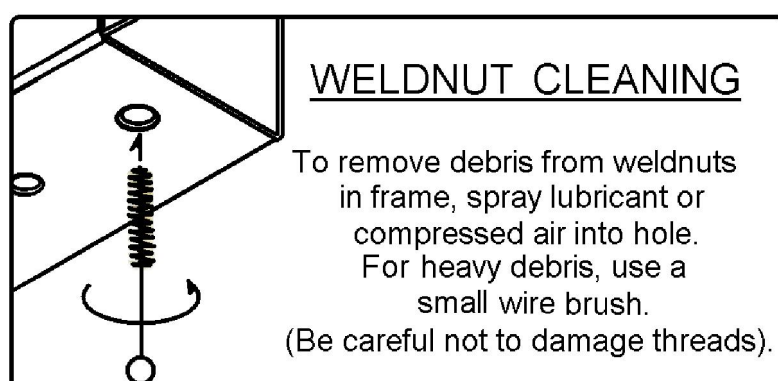
WARNING: * DO NOT EXCEED VEHICLE MANUFACTURER'S RECOMMENDED TOWING CAPACITY *****



FOR MORE INFORMATION LOG ONTO WWW.CURTMFG.COM
HAVING INSTALLATION QUESTIONS? CALL TECHNICAL SUPPORT AT 1-800-798-0813

Parts List			
ITEM	QTY	PART NUMBER	DESCRIPTION
1	1	7/16 - 14 x 2 1/2 HEX	HEX BOLT
2	8	7/16	WASHER
3	1	7/16 - 14	NYLOCK HEX NUT

TOOLS REQUIRED	
RATCHET	
14mm, 16mm, 17mm SOCKETS	
11/16" SOCKET	
5/8" WRENCH	
TORQUE WRENCH	
SAFETY GLASSES	



HITCH WEIGHT: 22 LBS.

INSTALL TIME

PROFESSIONAL: 30 MINUTES

NOVICE (DIY): 60 MINUTES

INSTALL NOTES:

-NO DRILLING REQUIRED

-LOWER EXHAUST

INSTALLATION STEPS

1. If present, lower carbon canister and bracket from passenger side frame rail.
2. Remove tie down brackets from vehicle frame rails.
3. Remove rubber isolator from mounting bracket on driver's side frame rail. Remove mounting bracket from frame rail. (Return tie-down brackets and exhaust mounting bracket with fastener to vehicle owner.)
4. Raise hitch into position and loosely install existing M12 hardware, being sure to re-install carbon canister bracket as shown.
5. Push hitch toward driver's side and torque all M12 fasteners to 68 ft-lbs.
6. Attach rubber exhaust isolator to driver's side hitch plate as shown using provided 7/16" hardware and tighten until bolt threads protrude through nylock nut.



Scan for more information

PERIODICALLY CHECK THIS RECEIVER HITCH TO ENSURE THAT ALL FASTENERS ARE TIGHT AND THAT ALL STRUCTURAL COMPONENTS ARE SOUND.

CURT Manufacturing LLC., warrants this product to be free of defects in material and/or workmanship at the time of retail purchase by the original purchaser. If the product is found to be defective, CURT Manufacturing LLC., may repair or replace the product, at their option, when the product is returned, prepaid, with proof of purchase. Alteration to, misuse of, or improper installation of this product voids the warranty. CURT Manufacturing LLC.'s liability is limited to repair or replacement of products found to be defective, and specifically excludes liability for incidental or consequential loss or damage.

This product complies with safety specifications and requirements for connecting devices and towing systems of the state of New York, V.E.S.C.Regulation V-5 and SAE J684.