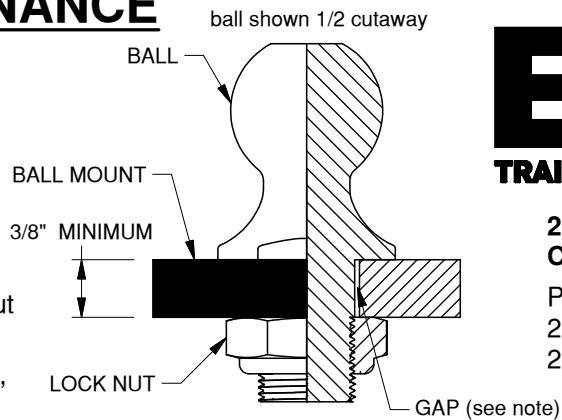


INSTALLATION AND MAINTENANCE

- Attach to platform at least 3/8" thick. Mounting hole must not exceed ball threaded shank diameter by more than 1/16"
- The lock nut must be assembled so that it tightens against the ball mount with nothing in between. Tighten nut with torque wrench to 450 ft. lbs. (dry threads).
- Check nut tightness every time you hook up the trailer and at the beginning of each towing day. Tow only if nut is tightened as specified.
- Lubricate ball and coupler to minimize wear and friction, coupler must not bind on ball.



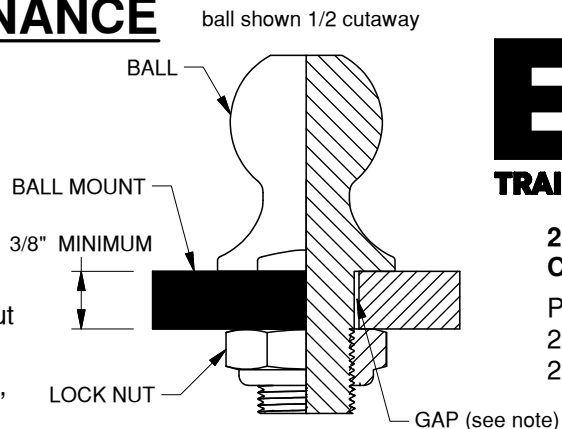
BW
TRAILER HITCHES

2" & 2 5/16"
Chrome ball

Part numbers:
2" - TS10051
2 5/16" - TS10052

INSTALLATION AND MAINTENANCE

- Attach to platform at least 3/8" thick. Mounting hole must not exceed ball threaded shank diameter by more than 1/16"
- The lock nut must be assembled so that it tightens against the ball mount with nothing in between. Tighten nut with torque wrench to 450 ft. lbs. (dry threads).
- Check nut tightness every time you hook up the trailer and at the beginning of each towing day. Tow only if nut is tightened as specified.
- Lubricate ball and coupler to minimize wear and friction, coupler must not bind on ball.



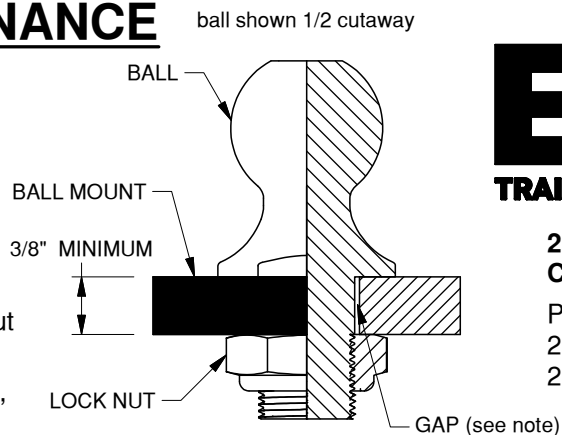
BW
TRAILER HITCHES

2" & 2 5/16"
Chrome ball

Part numbers:
2" - TS10051
2 5/16" - TS10052

INSTALLATION AND MAINTENANCE

- Attach to platform at least 3/8" thick. Mounting hole must not exceed ball threaded shank diameter by more than 1/16"
- The lock nut must be assembled so that it tightens against the ball mount with nothing in between. Tighten nut with torque wrench to 450 ft. lbs. (dry threads).
- Check nut tightness every time you hook up the trailer and at the beginning of each towing day. Tow only if nut is tightened as specified.
- Lubricate ball and coupler to minimize wear and friction, coupler must not bind on ball.



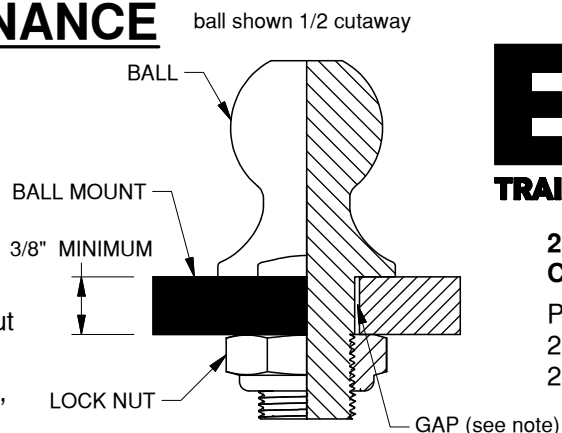
BW
TRAILER HITCHES

2" & 2 5/16"
Chrome ball

Part numbers:
2" - TS10051
2 5/16" - TS10052

INSTALLATION AND MAINTENANCE

- Attach to platform at least 3/8" thick. Mounting hole must not exceed ball threaded shank diameter by more than 1/16"
- The lock nut must be assembled so that it tightens against the ball mount with nothing in between. Tighten nut with torque wrench to 450 ft. lbs. (dry threads).
- Check nut tightness every time you hook up the trailer and at the beginning of each towing day. Tow only if nut is tightened as specified.
- Lubricate ball and coupler to minimize wear and friction, coupler must not bind on ball.



BW
TRAILER HITCHES

2" & 2 5/16"
Chrome ball

Part numbers:
2" - TS10051
2 5/16" - TS10052

⚠️ WARNING

Failure to comply with the safety information in these instructions could result in serious injury or death.

- ⚠️ Before coupling make sure that the ball size stamped on the ball matches the stated size on the coupler. Towing with a larger coupler could cause loss of attachment between the trailer and the tow vehicle.
- ⚠️ Do not exceed tow or tongue rating of coupler, tow or tongue rating of hitch, or tow or weight ratings of truck or trailer. See vehicle and trailer manufacturer information for ratings. Exceeding these ratings may cause damage to towing components or loss of attachment between the trailer and truck.

- ⚠️ Do not tow with any damaged or worn parts. Towing with compromised equipment could cause loss of attachment between the trailer and the tow vehicle. *Surface finish wear does not constitute damage.*
- ⚠️ When in use the ball should be attached to a coupler designed for towing only. Do not fasten trailer safety chains, tow ropes, chain, or other non-coupler attachments to the ball.

Copyright 2015
B&W Custom Truck Beds, Inc.
ALL RIGHTS RESERVED
Pintle Ball 08 31 2015

⚠️ WARNING

Failure to comply with the safety information in these instructions could result in serious injury or death.

- ⚠️ Before coupling make sure that the ball size stamped on the ball matches the stated size on the coupler. Towing with a larger coupler could cause loss of attachment between the trailer and the tow vehicle.
- ⚠️ Do not exceed tow or tongue rating of coupler, tow or tongue rating of hitch, or tow or weight ratings of truck or trailer. See vehicle and trailer manufacturer information for ratings. Exceeding these ratings may cause damage to towing components or loss of attachment between the trailer and truck.

- ⚠️ Do not tow with any damaged or worn parts. Towing with compromised equipment could cause loss of attachment between the trailer and the tow vehicle. *Surface finish wear does not constitute damage.*
- ⚠️ When in use the ball should be attached to a coupler designed for towing only. Do not fasten trailer safety chains, tow ropes, chain, or other non-coupler attachments to the ball.

Copyright 2015
B&W Custom Truck Beds, Inc.
ALL RIGHTS RESERVED
Pintle Ball 08 31 2015

⚠️ WARNING

Failure to comply with the safety information in these instructions could result in serious injury or death.

- ⚠️ Before coupling make sure that the ball size stamped on the ball matches the stated size on the coupler. Towing with a larger coupler could cause loss of attachment between the trailer and the tow vehicle.
- ⚠️ Do not exceed tow or tongue rating of coupler, tow or tongue rating of hitch, or tow or weight ratings of truck or trailer. See vehicle and trailer manufacturer information for ratings. Exceeding these ratings may cause damage to towing components or loss of attachment between the trailer and truck.

- ⚠️ Do not tow with any damaged or worn parts. Towing with compromised equipment could cause loss of attachment between the trailer and the tow vehicle. *Surface finish wear does not constitute damage.*
- ⚠️ When in use the ball should be attached to a coupler designed for towing only. Do not fasten trailer safety chains, tow ropes, chain, or other non-coupler attachments to the ball.

Copyright 2015
B&W Custom Truck Beds, Inc.
ALL RIGHTS RESERVED
Pintle Ball 08 31 2015

⚠️ WARNING

Failure to comply with the safety information in these instructions could result in serious injury or death.

- ⚠️ Before coupling make sure that the ball size stamped on the ball matches the stated size on the coupler. Towing with a larger coupler could cause loss of attachment between the trailer and the tow vehicle.
- ⚠️ Do not exceed tow or tongue rating of coupler, tow or tongue rating of hitch, or tow or weight ratings of truck or trailer. See vehicle and trailer manufacturer information for ratings. Exceeding these ratings may cause damage to towing components or loss of attachment between the trailer and truck.

- ⚠️ Do not tow with any damaged or worn parts. Towing with compromised equipment could cause loss of attachment between the trailer and the tow vehicle. *Surface finish wear does not constitute damage.*
- ⚠️ When in use the ball should be attached to a coupler designed for towing only. Do not fasten trailer safety chains, tow ropes, chain, or other non-coupler attachments to the ball.

Copyright 2015
B&W Custom Truck Beds, Inc.
ALL RIGHTS RESERVED
Pintle Ball 08 31 2015