



## BX3604 Installation Instructions 1997-99 Subaru Legacy Outback

**Utilization of Blue Ox baseplates with any tow bar not approved by Automatic Equipment Mfg. Co. invalidates the limited warranty.**

1. The front bumper molding, headlights, fog lights and turn signal assemblies will need to be removed to install the baseplate. The molding around the fog lights and the styrofoam insert of the bumper will need to be trimmed to re-install the bumper molding.
2. Remove the turn signal assemblies by removing the screw on the top of the assembly molding. The turn signal assemblies will pull out once the screw is removed. Next remove the bolts (4) from the headlight assemblies, one bolt is behind the center grill which connects the grill and the headlights. Using a small flathead screw driver push in the snaps (4 on top and 2 on the bottom) of the center grill.
3. Remove the upper and lower push pins of the bumper molding. Remove the two (10MM) bolts on the bottom of the bumper molding. There are also two (10MM) bolts that connect the quarter panels and the bumper molding, remove these also. Now pull the bumper molding off.
3. Notice the tow hook brackets on each side of the frame, bolt the baseplate (Item 1), the oval shaped tow hook inserts (Item 3) and the flat plates (Item 4) as shown in the diagram on page two. **NOTE: USE LOCTITE BLUE WITH EACH BOLT TO ENSURE THEY WILL NOT LOOSEN WHILE VEHICLE IS BEING TOWED.**
4. Use the 8mm bolts and washers (Items 5, 6 and 7) to bolt the upper braces to the bottom cross frame. It will be necessary to remove existing bolts so the upper braces can be bolted to the frame. **NOTE: USE LOCTITE BLUE WITH EACH BOLT.**
6. Tighten all the bolts of the baseplate.
7. To replace the bumper molding trim the inside plastic around the fog lamps and the styrofoam insert to clear the upper braces of the baseplate.
8. Install the tow bar and safety cables according to the instructions included in their packages.
9. The dimensional variations between otherwise identical cars can be considerable. While the location and size of the holes in the baseplate were designed to allow for easy installation, it may be necessary to file a hole slightly to allow a bolt to clear.
10. Do not substitute other devices if the tow bar pin and clip are lost.
11. **DEALER OR INSTALLER: BE SURE OWNER RECEIVES THE INSTRUCTION SHEET.**

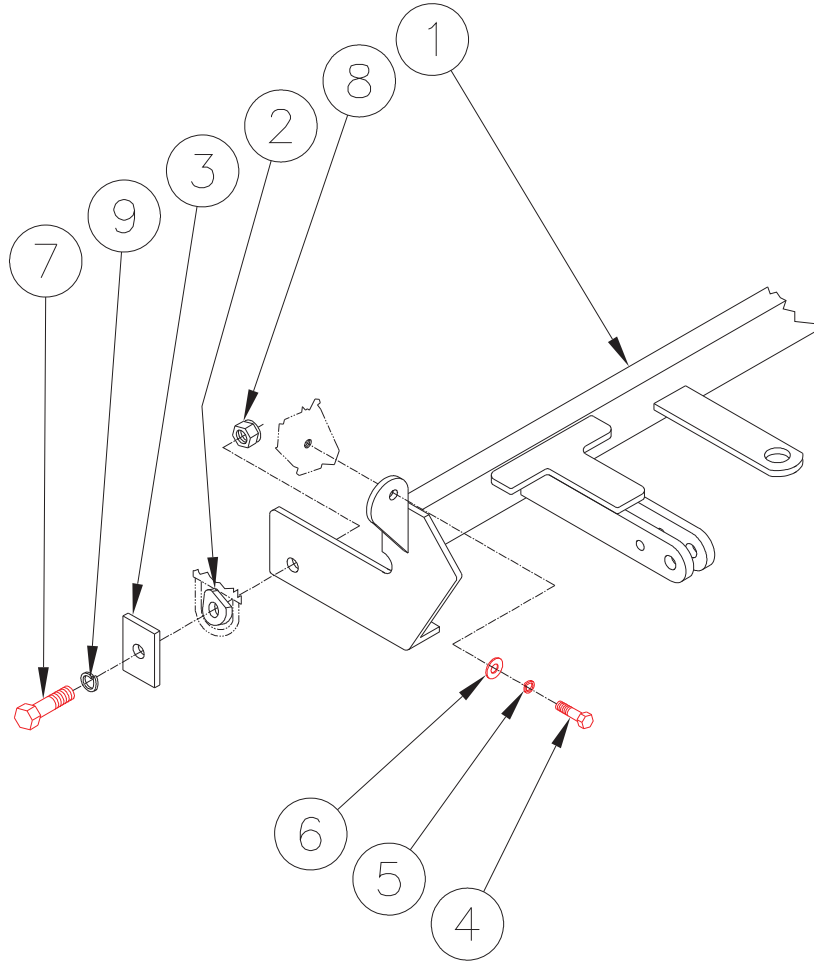
**Automatic**

## Tools Required

10MM Socket  
 3/4" Socket  
 Phillips Screw Driver  
 Utility Knife

10MM Wrench  
 Ratchet  
 Flat Head Screw Driver  
 Knuckle (For Ratchet)

3/4" Wrench  
 Long Extension  
 Loctite Blue



## Parts List

Ref. No.	Qty.	Part No.	Description
1	1	61-5131	Weldment, Baseplate
2	2	101-5723	Insert, Tie Down Bracket
3	2	102-5361	Side Stop, BX3604
4	2	201-0418	8MM-1.25 x 35MM Bolt
5	2	203-0102	8MM Lock Washer
6	2	203-0107	8MM Flat Washer
7	2	201-0051	1/2-13 x 1 1/2 Hex Bolt Grade 5
8	2	202-0005	1/2 Hex Nut
9	2	203-0012	1/2 Lock Washer
	2	226-0046	Baseplate Safety Cable, 36" CL III (Not Shown)
	4	229-0359	Quicklink, 3/8, ZP (Not Shown)