

advanced FLOW engineering Stage-2 Air Intake System

Instruction Manual P/N: 54-13025D / 54-13025R

Make: **Ford** Model: **Explorer Sport** Year: **2012-2018** Engine: **V6-3.5L (tt) EcoBoost**
Make: **Ford** Model: **Taurus SHO** Year: **2010-2018** Engine: **V6-3.5L (tt) EcoBoost**
Make: **Lincoln** Model: **MKS** Year: **2009-2016** Engine: **V6-3.5L (tt) EcoBoost**



- Please read the entire instruction manual before proceeding.
- Ensure all components listed are present.
- If you are missing any of the components, call customer support at 951-493-7100.
- Ensure you have all necessary tools before proceeding.
- Do not attempt to work on your vehicle when the engine is hot.
- Disconnect the negative battery terminal before proceeding.
- Retain factory parts for future use.

Label	Qty.	Description	Part Number
A1	1	Air Filter (Pro DRY S)	21-90095
A2	1	Air Filter (Pro 5R)	24-90095
B	1	Tube	05-12622B3
C	1	Housing	05-12622B2
D	1	Cover	05-12842B3
E	1	Grommet	03-50050
F	2	Clamp, #056	03-50009
G	1	Coupling, Silicone Bellow	05-01389
H	1	Fitting, Air Temp Sensor	05-01454

Installation will require the following tools:

8mm Nut Driver, 10mm wrench or deep socket.

Note: Legal in California for use on race vehicles only. The use of this device on vehicles used on public streets or highways is strictly prohibited in California and others states that have adopted California emission regulations.

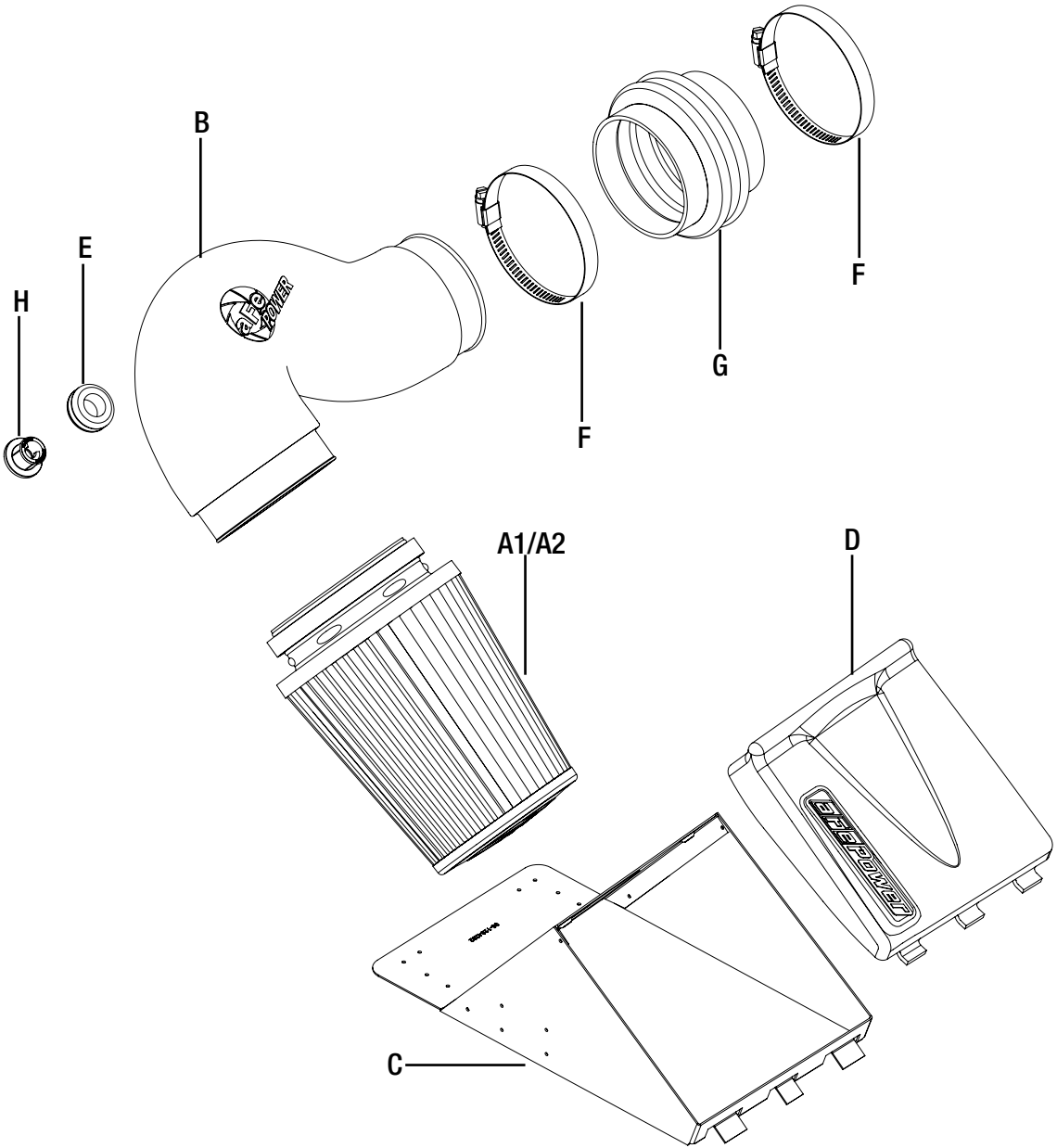




Figure A

Refer to Figure A for Steps 1-4

Step 1: Disconnect wire harness from temperature sensor.

Step 2: Remove plastic harness tie from corner of airbox lid.

Step 3: Loosen rear clamp on rubber intake tube.

Step 4: Undo the 2 latches and remove airbox cover, tube and filter.



Figure B

Refer to Figure B for Step 5

Step 5: Remove temp sensor from factory tube by turning $\frac{1}{4}$ turn counter-clockwise. Be careful not to damage the sensor.



Refer to Figure C for Steps 6-7

Step 6: Insert rubber grommet into hole on the aFe intake tube.

Step 7: Insert temp sensor into grommet.



Figure D

Refer to Figure D for Step 8.

Step 8: Install the filter into the housing.



Figure E

Refer to Figure E for Step 9

Step 9: Install housing and filter assembly and fasten clips, it may be necessary to loosen the 2 battery hold-down nuts and slide the battery rearward for extra room.



Figure F

Refer to Figure F for Steps 10-12

Step 10: Install coupler onto inlet tube with the supplied clamps, but do not fully tighten.

Step 11: Install the aFe intake tube and tighten all clamps. Re-connect the temp sensor harness.
Check all the components are tight and secure. Your installation is now complete.

NOTE: Check all bolts, clamps, and connectors after 100-200 miles.



Pro DRY S Air Filter



P/N: 21-90095

Pro 5R Air Filter



P/N: 24-90095

Pro DRY S Restore Kit



P/N: 90-59999

Blue Squeeze Restore Kit



P/N: 90-50501

Throttle Body Spacer



P/N: 46-33018 (Explorer Only!)

Oil Filter



P/N: 44-LF025

Sprint Booster V3



P/N: 77-13001

Carbon Fiber Look
Housing Cover



P/N: 54-12848-C

To purchase any of the items above, view airflow charts, dyno graphs, photos, and video; please go to aFepower.com.

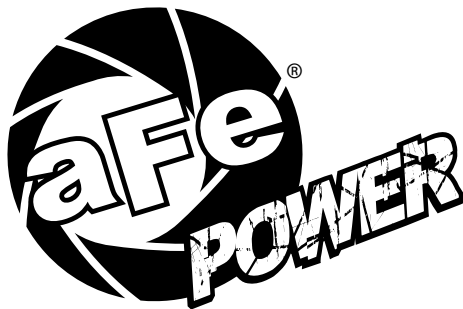
Warranty

General Terms:

- aFe warrants their products to be free from manufacturer's defects due to workmanship and material.
- This warranty applies only to the original purchaser of the product and is nontransferable.
- Proof of purchase of the aFe product is required for all warranty claims.
- Warranty is valid provided aFe instructions for installation and/or cleaning were properly followed.
- Proper maintenance with regular inspections of product is required to insure warranty coverage.
- Damage due to improper installation, abuse, unauthorized repair or alteration is not warranted.
- Incidental or consequential damages or cost, including installation and removal of part, incurred due to failure of aFe product is not covered under this warranty.
- All warranty is limited to the repair and/or replacement of the aFe part. To request Return Goods Authorization ("RGA"), email RGA@afepower.com or call (951)493-7100. Upon receipt of the RGA, you must return the product to the address provided in the RGA, freight prepaid and accompanied with a dated proof of purchase and the RGA. Upon receipt of the defective product and upon verification of proof of purchase, aFe will either repair or replace the defective product within a reasonable time, not to exceed thirty days.

Product Category	P/N Prefix	Warranty duration
Direct OE Replacement Filters	10, 11, 30, 31, 71, 73	Life of the vehicle
Racing Filters	18	1 year
Universal	21, 24, 72	2 years
Air Intake Systems	50, 51, 54, 55, 75	2 years
Exhaust Systems	49	2 years
Intercoolers & Intercooler Tubes	46-2	2 years
Intake Manifolds	46-1	2 years
Differential Cover	46-7	Life of the vehicle
Exhaust Manifolds	46	2 years
Throttle Body Spacers	46-3	2 years
Fluid Filters	44	90 days
Pre-Filters	28	2 years
Heavy Duty OE Replacement	70	2 years
PowerSports OE Replacement	81, 87	2 years
PowerSports Intake Systems	85	2 years

No other warranty expressed or implied applies nor is any person or advanced FLOW engineering authorized to assume any other warranty. Some States do not allow the exclusion or limitation of incidental or consequential damages or do not allow limitations on how long an implied warranty lasts, so the above limitations or exclusions may not apply to you. This warranty gives you specific legal rights, and you may also have other rights which vary from State to State.



advanced FLOW engineering, inc.
252 Granite Street Corona, CA 92879
TEL: 951.493.7155 • TECH: 951.493.7134
E-Mail: Tech@aFepower.com